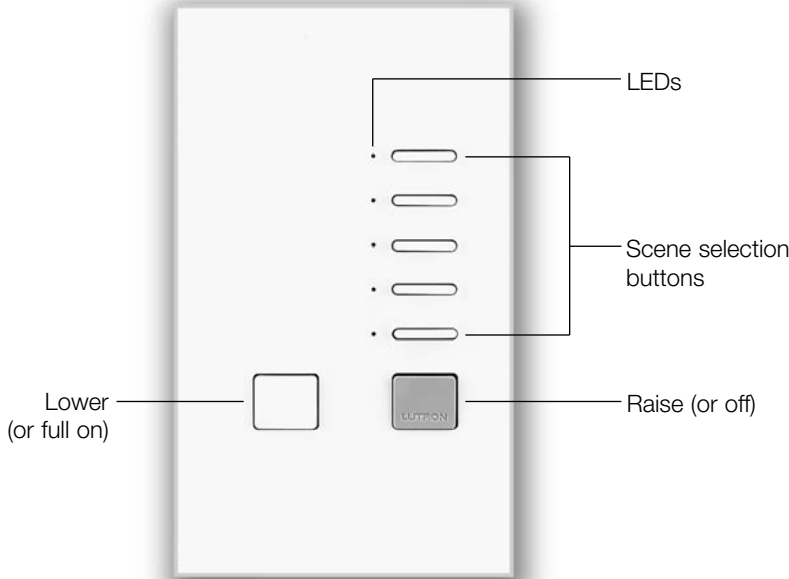


Color and Finish Codes

NTGRX-KP5-__-__
4-Scene with Off and Raise/Lower
Slim Button Wallstation



Description

- Five slim buttons select scenes.
- Mounts in standard 1-gang U.S. wallbox.
- Status LEDs indicate which scene is selected.
- Two large buttons dim and brighten selected scene or turn lights full on and off, depending on settings of DIP switches 5 and 6.
- Works with GRAFIK Eye 3000 and 4000 Series Control Units.
- Selects scenes in just one Control Unit or a group of up to eight Control Units.

Finish and Engraving Options

- Amber LEDs are standard. Green LEDs are available at an additional charge.
- White, ivory, and beige matte-finish faceplates have white buttons.
- Grey, brown, and black matte-finish faceplates have black buttons.
- Other button color combinations are available at an additional charge.
- Optional engraving on buttons is recommended for ease of use.

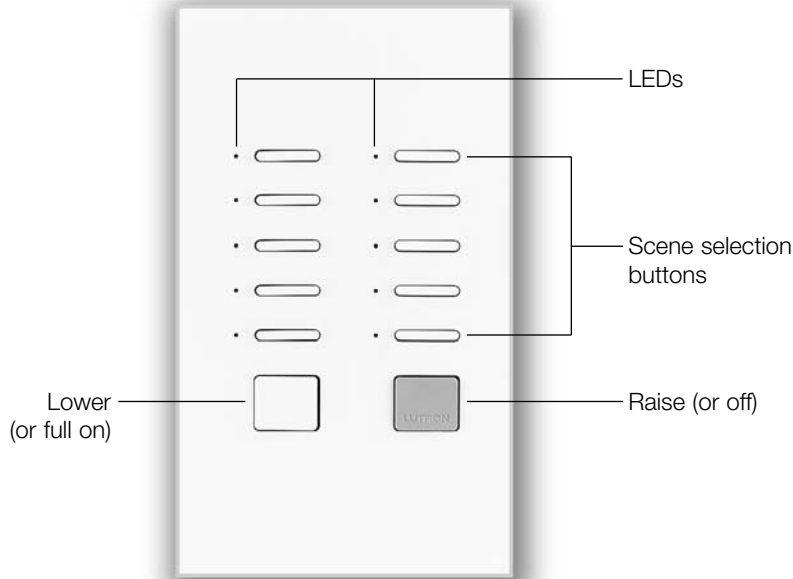
Field Selected Functionality

DIP Switch Settings	5 slim buttons select scenes:	2 large buttons:
5 6		
	1 to 4 and off	Lower and raise selected scene
	6 to 9 and off	Lower and raise selected scene
	1 to 5	Turn lights full on (to Scene 16) and off
	6 to 10	Turn lights full on (to Scene 16) and off

Job Name:	Model Numbers:
Job Number:	

Color and Finish Codes

NTGRX-KP10-__-__
9-Scene with Off and Raise/Lower
Slim Button Wallstation



Description

- Ten slim buttons select scenes.
- Mounts in standard 1-gang U.S. wallbox.
- Status LEDs indicate which scene is selected.
- Two large buttons dim and brighten selected scene or turn lights full on and off, depending on settings of DIP switches 5 and 6.
- Works with GRAFIK Eye 3000 and 4000 Series Control Units.
- Selects scenes in just one Control Unit or a group of up to eight Control Units.

Finish and Engraving Options

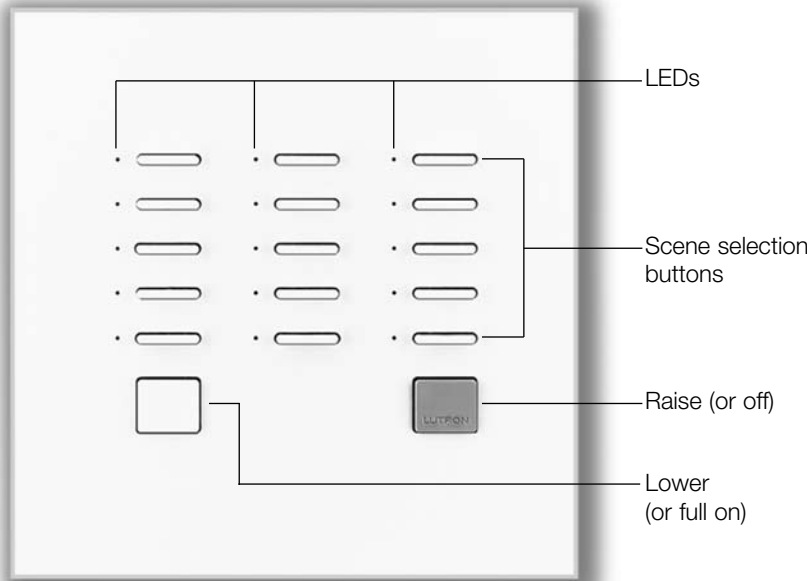
- Amber LEDs are standard. Green LEDs are available at an additional charge.
- White, ivory, and beige matte-finish faceplates have white buttons.
- Grey, brown, and black matte-finish faceplates have black buttons.
- Other button color combinations are available at an additional charge.
- Optional engraving on buttons is recommended for ease-of-use.

Field Selected Functionality

DIP Switch Settings	10 slim buttons select scenes:	2 large buttons:
5 6		
	1 to 9 and off	Lower and raise selected scene
	6 to 14 and off	Lower and raise selected scene
	1 to 10	Turn lights full on (to Scene 16) and off
	6 to 15	Turn lights full on (to Scene 16) and off

Job Name:	Model Numbers:
Job Number:	

NTGRX-KP15-__ -__
14-Scene with Off and Raise/Lower
Slim Button Wallstation





Description

- 15 slim buttons select scenes.
- Mounts in standard 2-gang U.S. wallbox.
- Status LEDs indicate which scene is selected.
- Two large buttons dim and brighten selected scene or turn lights full on and off, depending on settings of DIP switches 5 and 6.
- Works with GRAFIK Eye 3000 and 4000 Series Control Units.
- Selects scenes in just one Control Unit or a group of up to eight Control Units.

Finish and Engraving Options

- Amber LEDs are standard. Green LEDs are available at an additional charge.
- White, ivory, and beige matte-finish faceplates have white buttons.
- Grey, brown, and black matte-finish faceplates have black buttons.
- Other button color combinations are available at an additional charge.
- Optional engraving on buttons is recommended for ease-of-use.

Field Selected Functionality

DIP Switch Settings 5 6	15 slim buttons select scenes:	2 large buttons:
	1 to 14 and off	Lower and raise selected scene
	1 to 15	Turn lights full on (to Scene 16) and off

Job Name:	Model Numbers:
Job Number:	

Specifications - KP5 & KP10

Power

Low-voltage type Class 2 (PELV).
Operating voltage: 12/24 V Direct Current.

Key Design Features

- Meets IEC 801-2. Tested to withstand 15kV electro-static discharge without damage or memory loss.
- Faceplate snaps on with no visible means of attachment.
- Can be ganged to share a common faceplate with NovaT[®] and Vareo[®] Dimmers. Counts as a “small control” for ganging.

System Communications and Capacity

- Low-voltage type Class 2 (PELV) wiring connects Wallstations to Control Units and other components.
- Up to 8 Control Units and up to 16 total Wallstations and/or Control Interfaces may be linked for a total of 24 control points.

Terminals

Accept up to two #18 AWG (1.0mm²) typical.

Environment

32-104°F (0-40°C). Relative humidity less than 90% non-condensing.

Color and Finish Codes

Matte Finishes

Standard – Ship in 48 hours
White WH
Ivory IV
Beige BE
Gray GR
Brown BR
Black BL

Metal Finishes

Ship in 4 to 6 weeks
Bright Brass BB
Bright Chrome BC
Bright Nickel BN
Satin Brass SB
Satin Chrome SC
Satin Nickel SN
Antique Brass QB
Antique Bronze QZ

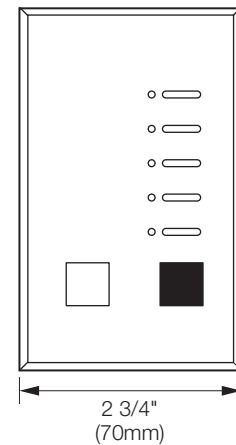
Anodized Aluminum Finishes

Ship in 4 to 6 weeks
Clear CLA
Black BLA
Brass BRA
Engraving E

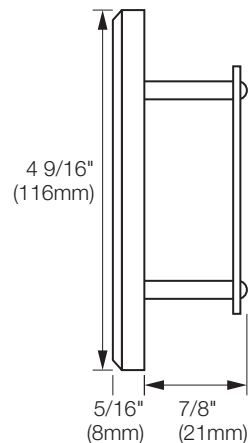
Also available:
-Custom Controls
-Color Matching
Ship in 4 to 6 weeks. Pricing may vary depending on finish.

Dimensions

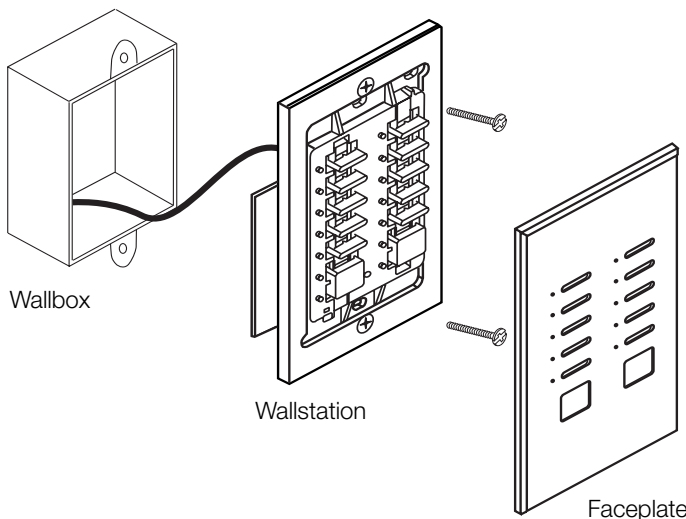
Front View



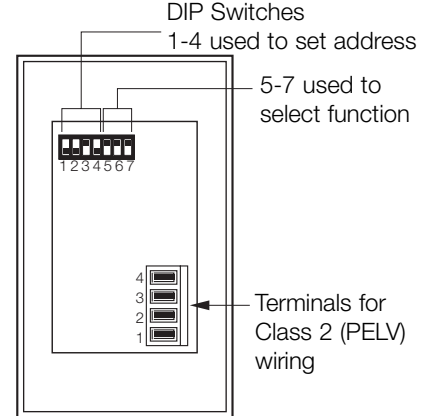
Side View



Mounting



Back View



Job Name:	Model Numbers:
Job Number:	

Specifications - KP15

Power

Low-voltage type Class 2 (PELV).
Operating voltage: 12/24 V Direct Current.

Key Design Features

- Meets IEC 801-2. Tested to withstand 15kV electrostatic discharge without damage or memory loss.
- Faceplate snaps on with no visible means of attachment.
- Can be ganged to share a common faceplate with NovaT*® and Vareo® Dimmers. Counts as a “small control” for ganging.

System Communications and Capacity

- Low-voltage type Class 2 (PELV) wiring connects Wallstations to Control Units and other components.
- Up to 8 Control Units and up to 16 total Wallstations and/or Control Interfaces may be linked for a total of 24 control points.

Terminals

Accept up to two #18 AWG (1.0mm²) typical.

Environment

32-104°F (0-40°C). Relative humidity less than 90% non-condensing.

Color and FinishCodes

Matte Finishes

Standard – Ship in 48 hours
White WH
Ivory IV
Beige BE
Gray GR
Brown BR
Black BL

Metal Finishes

Ship in 4 to 6 weeks
Bright Brass BB
Bright Chrome BC
Bright Nickel BN
Satin Brass SB
Satin Chrome SC
Satin Nickel SN
Antique Brass QB
Antique Bronze QZ

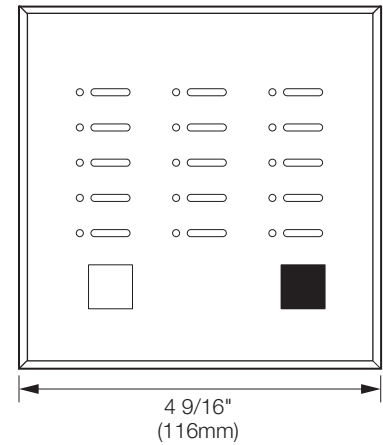
Anodized Aluminum Finishes

Ship in 4 to 6 weeks
Clear CLA
Black BLA
Brass BRA
Engraving E

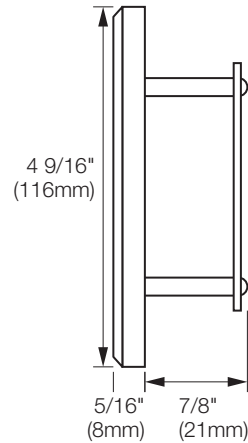
Also available:
-Custom Controls
-Color Matching
Ship in 4 to 6 weeks. Pricing may vary depending on finish.

Dimensions

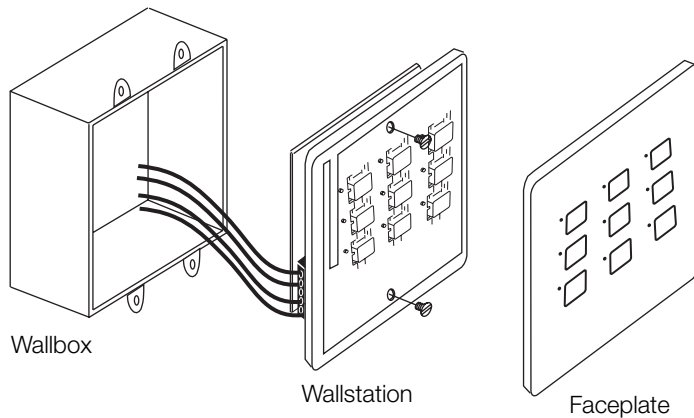
Front View



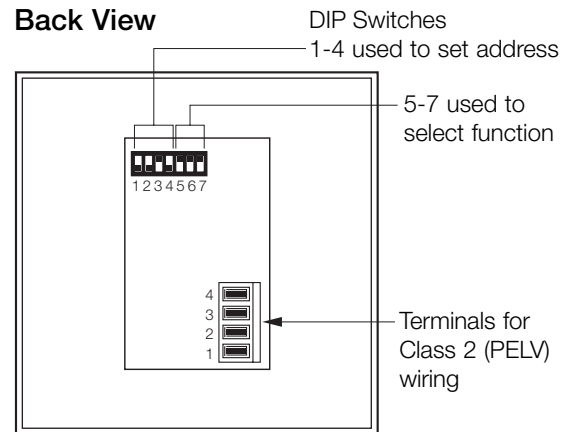
Side View



Mounting



Back View



Job Name:	Model Numbers:
Job Number:	