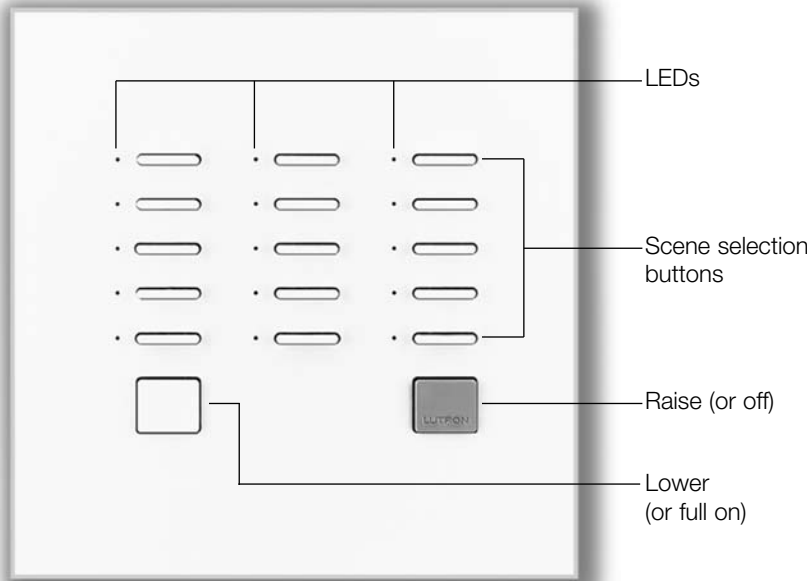


**NTGRX-KP15-\_\_ -\_\_**  
**14-Scene with Off and Raise/Lower**  
**Slim Button Wallstation**





**Description**

- 15 slim buttons select scenes.
- Mounts in standard 2-gang U.S. wallbox.
- Status LEDs indicate which scene is selected.
- Two large buttons dim and brighten selected scene or turn lights full on and off, depending on settings of DIP switches 5 and 6.
- Works with GRAFIK Eye 3000 and 4000 Series Control Units.
- Selects scenes in just one Control Unit or a group of up to eight Control Units.

**Finish and Engraving Options**

- Amber LEDs are standard. Green LEDs are available at an additional charge.
- White, ivory, and beige matte-finish faceplates have white buttons.
- Grey, brown, and black matte-finish faceplates have black buttons.
- Other button color combinations are available at an additional charge.
- Optional engraving on buttons is recommended for ease-of-use.

**Field Selected Functionality**

DIP Switch Settings 5 6	15 slim buttons select scenes:	2 large buttons:
	1 to 14 and off	Lower and raise selected scene
	1 to 15	Turn lights full on (to Scene 16) and off

<b>Job Name:</b>	<b>Model Numbers:</b>
<b>Job Number:</b>	

**Specifications - KP5 & KP10**

**Power**

Low-voltage type Class 2 (PELV).  
Operating voltage: 12/24 V Direct Current.

**Key Design Features**

- Meets IEC 801-2. Tested to withstand 15kV electro-static discharge without damage or memory loss.
- Faceplate snaps on with no visible means of attachment.
- Can be ganged to share a common faceplate with NovaT\*® and Vareo® Dimmers. Counts as a “small control” for ganging.

**System Communications and Capacity**

- Low-voltage type Class 2 (PELV) wiring connects Wallstations to Control Units and other components.
- Up to 8 Control Units and up to 16 total Wallstations and/or Control Interfaces may be linked for a total of 24 control points.

**Terminals**

Accept up to two #18 AWG (1.0mm<sup>2</sup>) typical.

**Environment**

32-104°F (0-40°C). Relative humidity less than 90% non-condensing.

**Color and Finish Codes**

**Matte Finishes**

Standard – Ship in 48 hours

White	WH
Ivory	IV
Beige	BE
Gray	GR
Brown	BR
Black	BL

**Metal Finishes**

Ship in 4 to 6 weeks

Bright Brass	BB
Bright Chrome	BC
Bright Nickel	BN
Satin Brass	SB
Satin Chrome	SC
Satin Nickel	SN
Antique Brass	QB
Antique Bronze	QZ

**Anodized Aluminum Finishes**

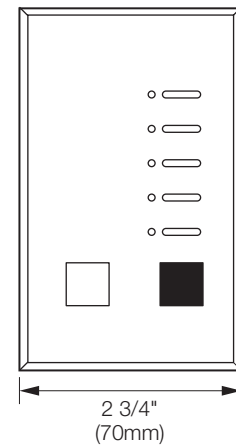
Ship in 4 to 6 weeks

Clear	CLA
Black	BLA
Brass	BRA
Engraving	E

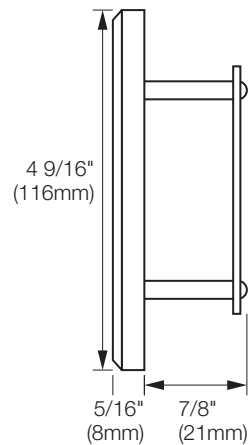
Also available:  
-Custom Controls  
-Color Matching  
Ship in 4 to 6 weeks. Pricing may vary depending on finish.

**Dimensions**

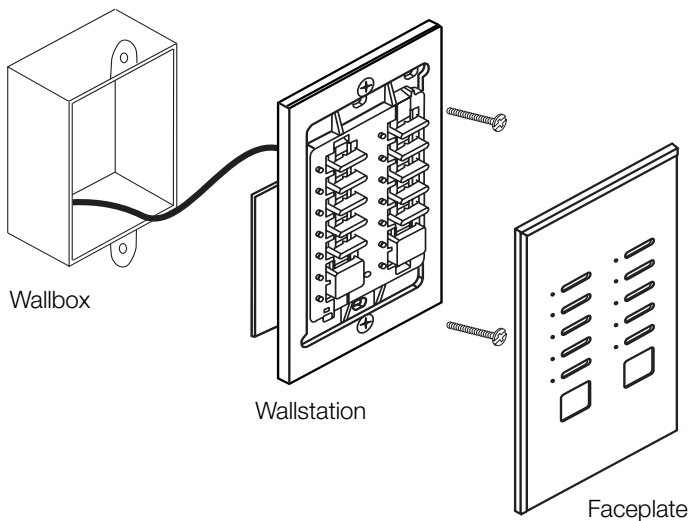
**Front View**



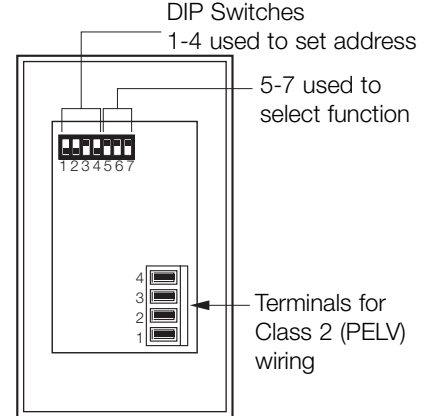
**Side View**



**Mounting**



**Back View**



<b>Job Name:</b>	<b>Model Numbers:</b>
<b>Job Number:</b>	

**Specifications - KP15**

**Power**

Low-voltage type Class 2 (PELV).  
Operating voltage: 12/24 V Direct Current.

**Key Design Features**

- Meets IEC 801-2. Tested to withstand 15kV electrostatic discharge without damage or memory loss.
- Faceplate snaps on with no visible means of attachment.
- Can be ganged to share a common faceplate with NovaT\* and Vareo Dimmers. Counts as a "small control" for ganging.

**System Communications and Capacity**

- Low-voltage type Class 2 (PELV) wiring connects Wallstations to Control Units and other components.
- Up to 8 Control Units and up to 16 total Wallstations and/or Control Interfaces may be linked for a total of 24 control points.

**Terminals**

Accept up to two #18 AWG (1.0mm<sup>2</sup>) typical.

**Environment**

32-104°F (0-40°C). Relative humidity less than 90% non-condensing.

**Color and FinishCodes**

**Matte Finishes**

Standard – Ship in 48 hours  
White WH  
Ivory IV  
Beige BE  
Gray GR  
Brown BR  
Black BL

**Metal Finishes**

Ship in 4 to 6 weeks  
Bright Brass BB  
Bright Chrome BC  
Bright Nickel BN  
Satin Brass SB  
Satin Chrome SC  
Satin Nickel SN  
Antique Brass QB  
Antique Bronze QZ

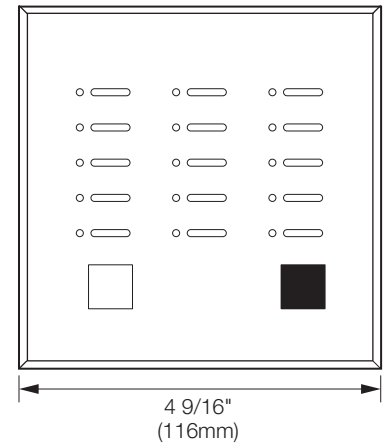
**Anodized Aluminum Finishes**

Ship in 4 to 6 weeks  
Clear CLA  
Black BLA  
Brass BRA  
Engraving E

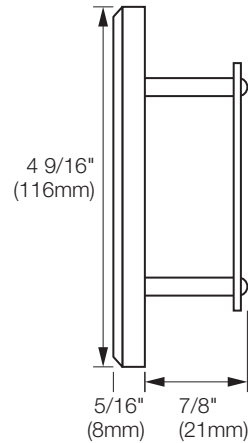
Also available:  
-Custom Controls  
-Color Matching  
Ship in 4 to 6 weeks. Pricing may vary depending on finish.

**Dimensions**

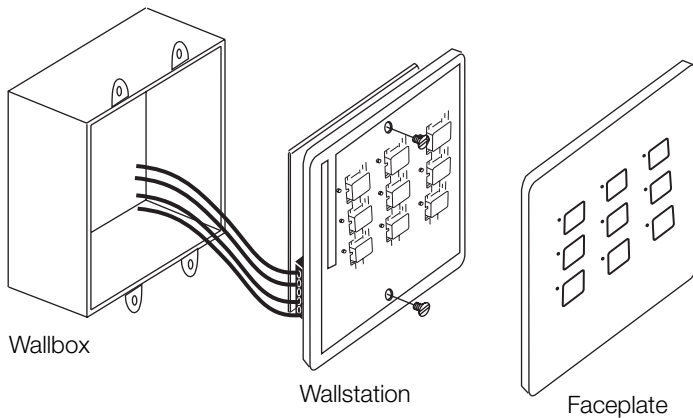
**Front View**



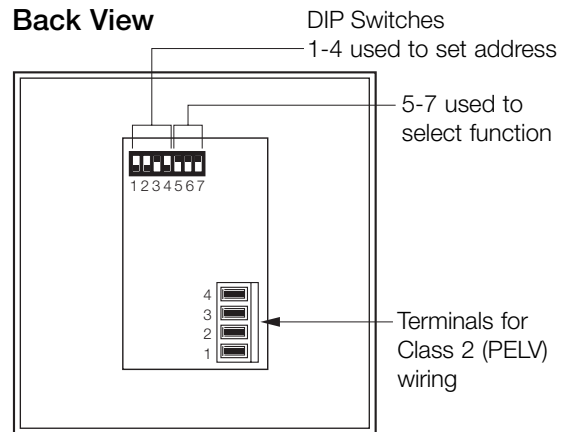
**Side View**



**Mounting**



**Back View**



<b>Job Name:</b>	<b>Model Numbers:</b>
<b>Job Number:</b>	