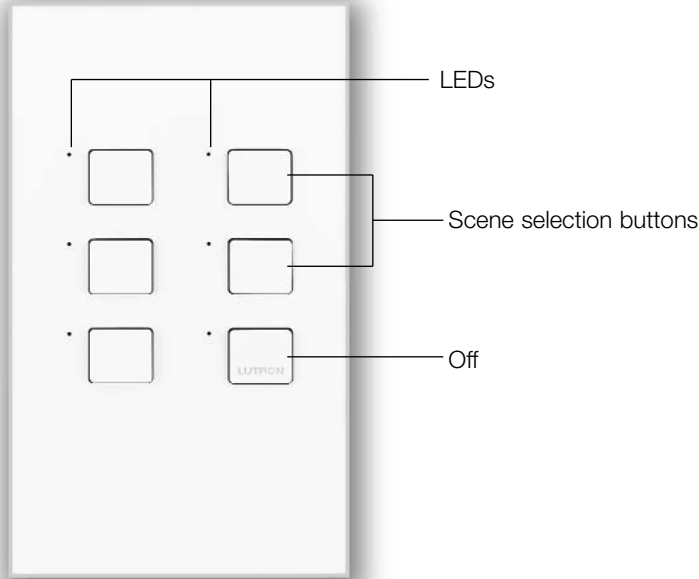


Color and Finish Codes

NTGRX-LB6-__-__
5-Scene with Off
Large Button Wallstation





Description

- Features easy to use large buttons.
- Mounts in a standard 1-gang U.S. wallbox.
- Allows user to select up to five scenes.
- Scene selection functionality can be selected in the field.
- Off button turns all lights off.
- Status LEDs indicate which scene is selected.
- Works with GRAFIK Eye 3000 and 4000 Series Control Units.
- Selects scenes in just one Control Unit or a group of up to eight Control Units.

Finish and Engraving Options

- Amber LEDs are standard. Green LEDs are available at an additional charge.
- Standard matte-finish plastic faceplates have matching buttons.
- Metal-finish faceplates have black buttons.
- Other button color combinations are available at an additional charge.
- Optional engraving on buttons is recommended for ease-of-use.

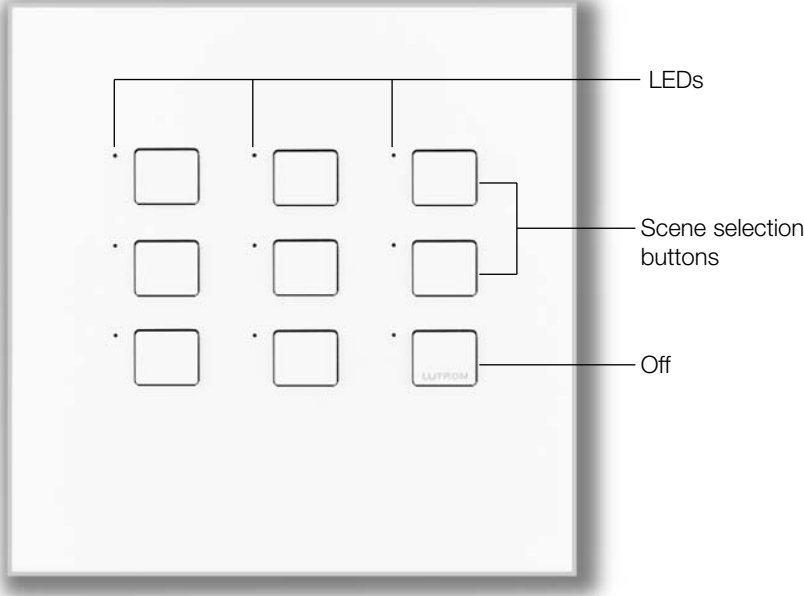
Field Selected Functionality

DIP Switch Settings	Scene selection buttons activate:
5 6	
	Scenes 1 to 5
	Scenes 9 to 13

Job Name:	Model Numbers:
Job Number:	

Color and Finish Codes

NTGRX-LB9-__-__
8-Scene with Off
Large Button Wallstation





Description

- Features easy to use large-buttons.
- Mounts in a standard 2-gang U.S. wallbox.
- Allows user to select up to eight scenes.
- Scene selection functionality can be selected in the field.
- Off button turns all lights off.
- Status LEDs indicate which scene is selected.
- Works with GRAFIK Eye 3000 and 4000 Series Control Units.
- Selects scenes in just one Control Unit or a group of up to eight Control Units.

Finish and Engraving Options

- Amber LEDs are standard. Green LEDs are available at an additional charge.
- Standard matte-finish plastic faceplates have matching buttons.
- Metal-finish faceplates have black buttons.
- Other button color combinations are available at an additional charge.
- Optional engraving on buttons is recommended for ease-of-use.

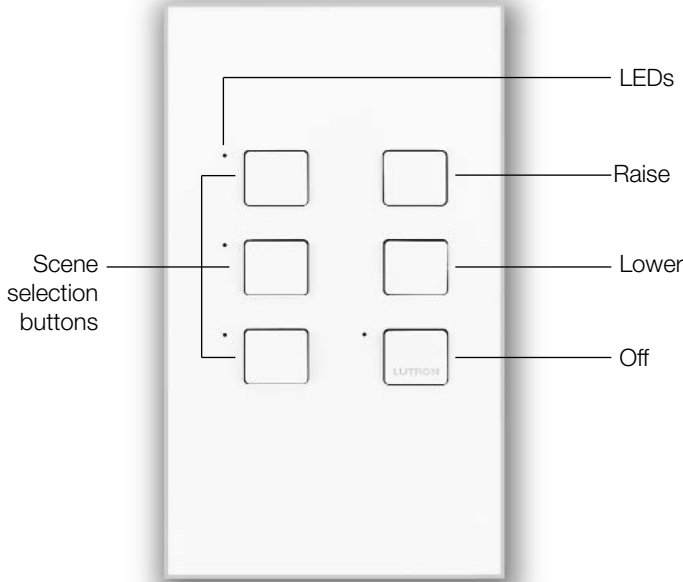
Field Selected Functionality

DIP Switch Settings	Scene selection buttons activate:
5 6	
	Scenes 1 to 8
	Scenes 9 to 16

Job Name:	Model Numbers:
Job Number:	

Color and Finish Codes

NTGRX-LB6-RL-__-__
3-Scene with Off and Raise/Lower
Large Button Wallstation





Description

- Features easy to use large buttons.
- Mounts in a standard 1-gang U.S. wallbox.
- Allows user to select and adjust three scenes.
- Scene selection functionality can be selected in the field.
- Status LEDs indicate which scene is selected.
- Raise button brightens selected scene.
- Lower button dims selected scene.
- Off button turns all lights off.
- Works with GRAFIK Eye 3000 and 4000 Series Control Units.
- Selects scenes in just one Control Unit or a group of up to eight Control Units.

Finish and Engraving Options

- Amber LEDs are standard. Green LEDs are available at an additional charge.
- Standard matte-finish plastic faceplates have matching buttons.
- Metal-finish faceplates have black buttons.
- Other button color combinations are available at an additional charge.
- Optional engraving on buttons is recommended for ease-of-use.

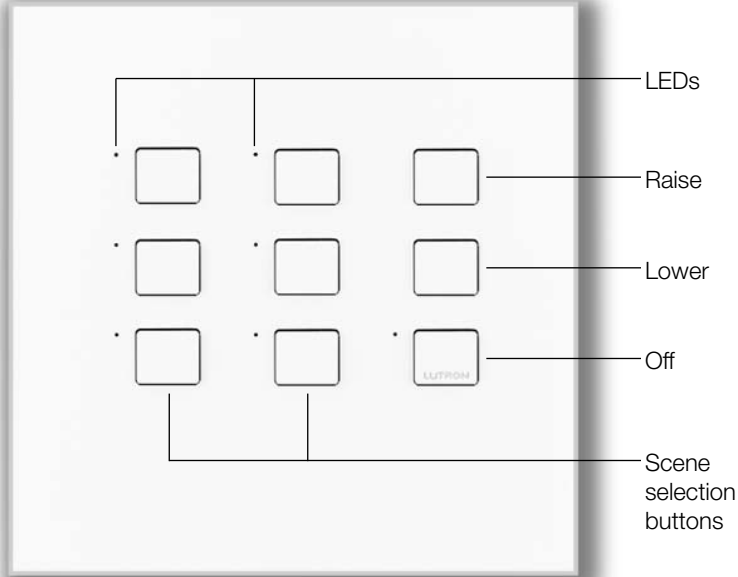
Field Selected Functionality

DIP Switch Settings	Scene selection buttons activate:
5 6	
	Scenes 1 to 3
	Scenes 9 to 11

Job Name:	Model Numbers:
Job Number:	

Color and Finish Codes

NTGRX-LB9-RL-__-__
6-Scene with Off and Raise/Lower
Large Button Wallstation





Description

- Features easy to use large buttons.
- Mounts in a standard 2-gang U.S. wallbox.
- Allows user to select and adjust six scenes.
- Scene selection functionality can be selected in the field.
- Status LEDs indicate which scene is selected.
- Raise button brightens selected scene.
- Lower button dims selected scene.
- Off button turns lights off.
- Works with GRAFIK Eye 3000 and 4000 Series Control Units.
- Selects scenes in just one Control Unit or a group of up to eight Control Units.

Finish and Engraving Options

- Amber LEDs are standard. Green LEDs are available at an additional charge.
- Standard matte-finish plastic faceplates have matching buttons.
- Metal-finish faceplates have black buttons.
- Other button color combinations are available at an additional charge.
- Optional engraving on buttons is recommended for ease-of-use.

Field Selected Functionality

DIP Switch Settings	Scene selection buttons activate:
5 6	
	Scenes 1 to 6
	Scenes 9 to 14

Job Name:	Model Numbers:
Job Number:	

Specifications - LB6

Power

Low-voltage type Class 2 (PELV).
Operating voltage: 12/24 V Direct Current.

Key Design Features

- Meets IEC 801-2. Tested to withstand 15kV electro-static discharge without damage or memory loss.
- Faceplate snaps on with no visible means of attachment.
- Can be ganged to share a common face plate with NovaT[®] and Vareo[®] Dimmers. Counts as a “small control” for ganging.

System Communications and Capacity

- Low-voltage type Class 2 (PELV) wiring connects Wallstations to Control Units and other components.
- Up to 8 Control Units and up to 16 total Wallstations and/or Control Interfaces may be linked for a total of 24 control points.

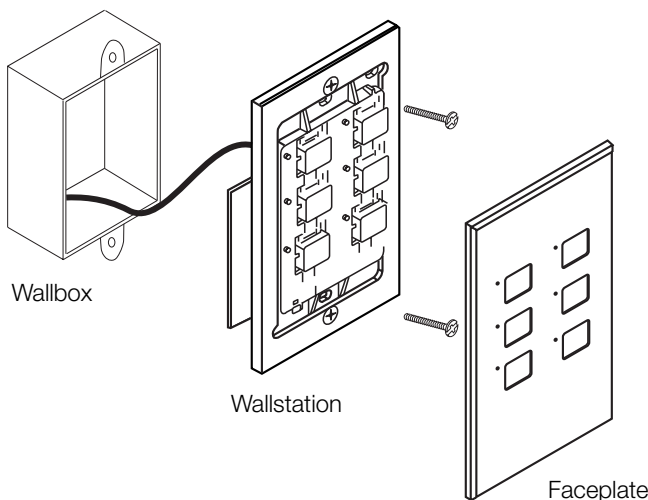
Terminals

Accept up to two #18 AWG (1.0mm²) typical.

Environment

32-104°F (0-40°C). Relative humidity less than 90% non-condensing.

Mounting



Color and Finish Codes

Matte Finishes

Standard – Ship in 48 hours

White	WH
Ivory	IV
Beige	BE
Gray	GR
Brown	BR
Black	BL

Metal Finishes

Ship in 4 to 6 weeks

Bright Brass	BB
Bright Chrome	BC
Bright Nickel	BN
Satin Brass	SB
Satin Chrome	SC
Satin Nickel	SN
Antique Brass	QB
Antique Bronze	QZ

Anodized Aluminum Finishes

Ship in 4 to 6 weeks

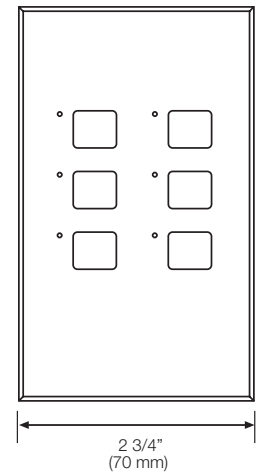
Clear	CLA
Black	BLA
Brass	BRA
Engraving	E

Also available:

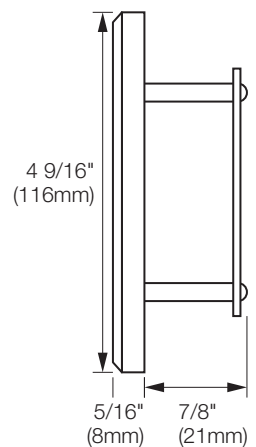
- Custom Controls
 - Color Matching
- Ship in 4 to 6 weeks. Pricing may vary depending on finish.

Dimensions

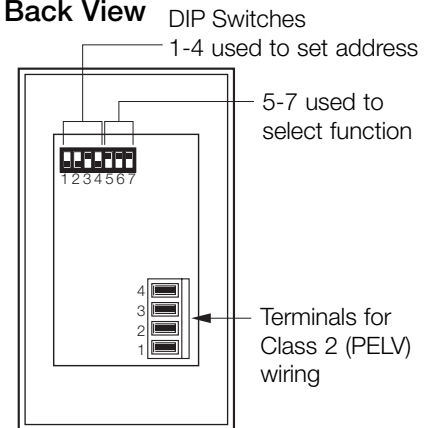
Front View



Side View



Back View



Job Name:	Model Numbers:
Job Number:	

Specifications - LB9

Power

Low-voltage type Class 2 (PELV).
Operating voltage: 12/24 V Direct Current.

Key Design Features

- Meets IEC 801-2. Tested to withstand 15kV electrostatic discharge without damage or memory loss.
- Faceplate snaps on with no visible means of attachment.
- Can be ganged to share a common faceplate with NovaT[®] and Vareo[®] Dimmers. Counts as a “small control” for ganging

System Communications and Capacity

- Low-voltage type Class 2 (PELV) wiring connects Wallstations to Control Units and other components.
- Up to 8 Control Units and up to 16 total Wallstations and/or Control Interfaces may be linked for a total of 24 control points.

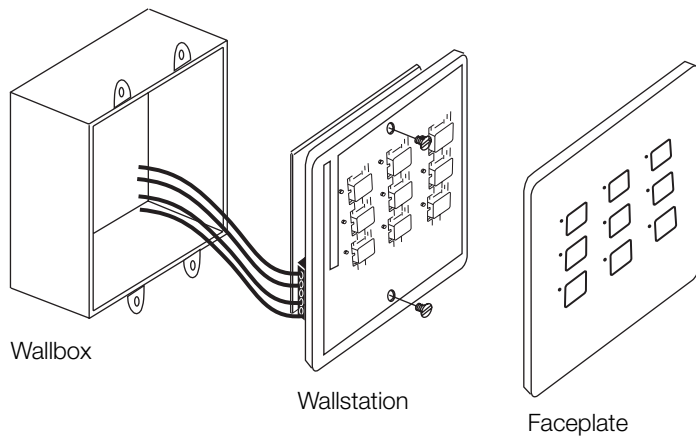
Terminals

Accept up to two #18 AWG (1.0mm²) typical.

Environment

32-104°F (0-40°C). Relative humidity less than 90% non-condensing.

Mounting



Color and Finish Codes

Matte Finishes

Standard – Ship in 48 hours

White	WH
Ivory	IV
Beige	BE
Gray	GR
Brown	BR
Black	BL

Metal Finishes

Ship in 4 to 6 weeks

Bright Brass	BB
Bright Chrome	BC
Bright Nickel	BN
Satin Brass	SB
Satin Chrome	SC
Satin Nickel	SN
Antique Brass	QB
Antique Bronze	QZ

Anodized Aluminum Finishes

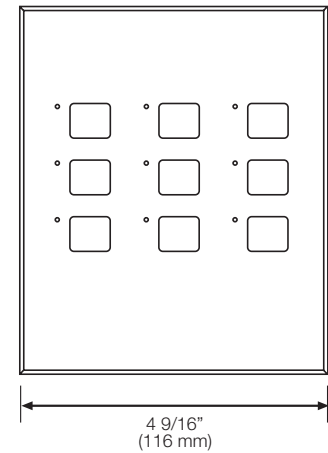
Ship in 4 to 6 weeks

Clear	CLA
Black	BLA
Brass	BRA
Engraving	E

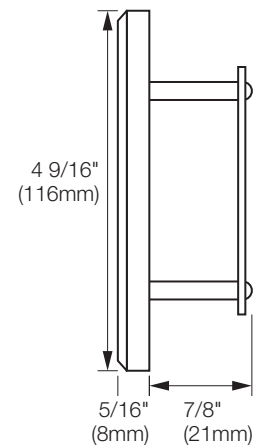
Also available:
-Custom Controls
-Color Matching
Ship in 4 to 6 weeks. Pricing may vary depending on finish.

Dimensions

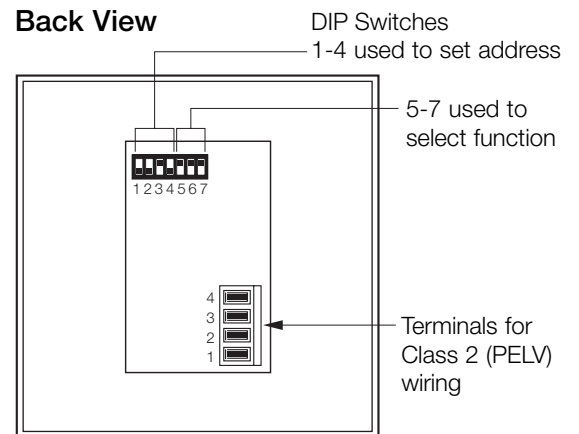
Front View



Side View



Back View



Job Name:	Model Numbers:
Job Number:	