

Linear Recessed Wall Wash Dimmable Fluorescent Fixture

Features

- Recessed 1 x 2 foot wall wash fixture
- Single lamp, 50 W, T5 twin tube compact fluorescent
- Dim smoothly and continuously from 100% to 10% measured light
- Designed to lay into standard NEMA Type G grid (suspended T-Bar) ceilings
- Gypsum ceiling and surface mount options available
- Chicago plenum models available
- Universal input voltage 120/277 V~
- UL and CUL listed, Class P thermally protected ballast

Description

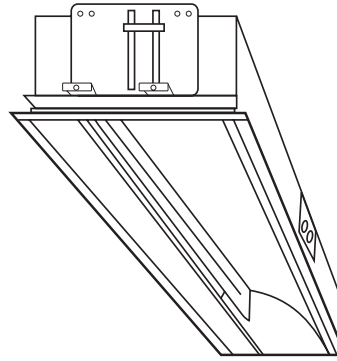
- Reflector removes without tools
- Design provides even, unscalped illumination with no glare and offers excellent lamp shielding
- One-piece, formed aluminum reflector

Construction

- Fixture is made of 22 gauge CRS
- Quick access plate for easy power connections

Finish

- Metal housing is finished with a White TGIC polyester powder coat
- Reflector is diffuse, high purity (99.9%) aluminum



Dimming Performance

- Digital Ballast: EC5 T550 J UNV 1
- Dimming range – 100% to 10%
- Power factor greater than .95
- Total harmonic distortion less than 20%
- Designed to withstand surge voltages of 4000 volts as specified in ANSI C62.41
- Better than Class A sound rating
- Ballast meets FCC Part 18 regulations for RFI/EMI
- No visible lamp flicker
- Ballasts strike lamps at any light level without first flashing to full light

Controls

The following controls are available for use with Lutron dimmable fixtures:

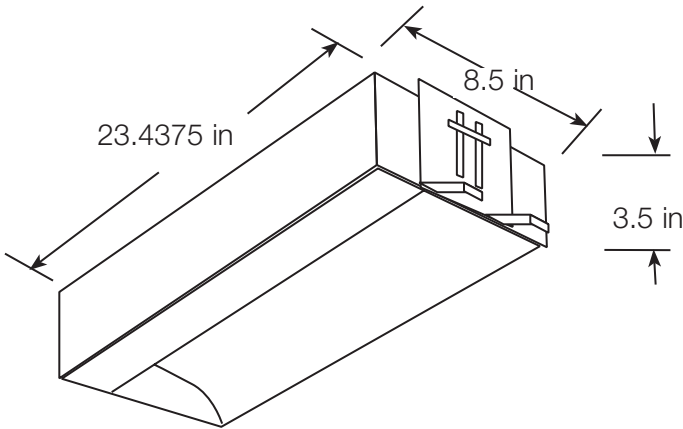
- GRAFIK Eye® QS
- Quantum®
- Maestro® Wireless
- Nova®
- Skylark®
- Vareo®
- GRAFIK Eye®
- Energi Savr Node™
- Nova T*®
- Diva®
- Ariadni®

Lamps

- Requires one 50 W T5 twin tube 3500 °K fluorescent lamp
 - GE number F50BX/SPX35/RS
 - Philips number PL-L50W835/RS
- Consult lamp manufacturer for lamp seasoning requirements prior to dimming
- Lamps are not included with the fixture

<p>Job Name:</p> <p>Job Number:</p>	<p>Model Numbers:</p>
--	-----------------------

Product Dimensions



Models	Ballast	Rated Current	Lamp Type	Input Power
FXWW15012EUTB FXWW15012EUGY FXWW15012EUSM	EC5 T550 J UNV 1	0.45 A @ 120 V~ 0.20 A @ 277 V~	(1) 50 W T5 twin tube	54 W @ 120 V~ 55.4 W @ 277 V~

*Add EM suffix to any model number for emergency ballast option

Mounting Options

- TB = T-Bar mount
- GY = Gypsum ceiling mount
- SM = Surface mount

Photometric Data

Coming soon

Job Name:	Model Numbers:
Job Number:	