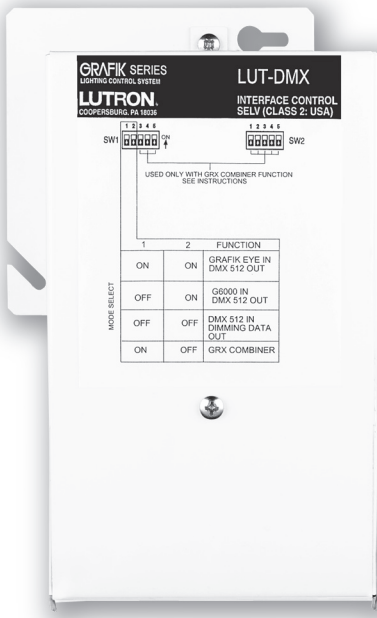


LUT-DMX DMX 512 Control Interface



Description

- Allows GRAFIK Eye® lighting controls to operate lighting and other equipment that uses the DMX 512 protocol, including:
 - Strobes, fiber optic lighting, and LED-based lamps.
 - Fogger machines.
 - Animated characters and motorized fixtures.
- Converts GRAFIK® zone intensities into DMX 512 channel settings. Each zone is assigned to a DMX 512 channel.
- Works with GRAFIK Eye® 3000 and GRAFIK Eye® 4000 Series Control Units, as well as GRAFIK 5000™, GRAFIK 6000®, and GRAFIK 7000™ Systems (see DIP switches 1 and 2). Interface does not require an address.

Example of Usage

A DMX 512-controlled fiber optic fixture is setup so that:

- Channel 5 controls color channel or dial setting.
- Channel 6 controls shutter open/close.

The Control Unit's scenes are setup so that:

- Zone 5 intensity = desired fiber optic color.
- Zone 6 intensity = desired shutter open/close.

When a scene is selected at the Control Unit:

- DMX 512 Interface converts new scene's zone intensities into DMX 512 channel settings.
- Fiber optics automatically change color and shutter open/close.

Job Name:	Model Numbers:
Job Number:	

Specifications

Power

Low-voltage IEC PELV/NEC® Class 2
 Operating Voltage: 12/24 V_{DC}

Zone/Channel Capacity

Maximum total number of GRAFIK Eye® lighting zones and DMX 512 channels:

- GRX-3000 Control Units: Up to 48 non-continuous.
- GRX-4000 Control Units: Up to 64.
- GRAFIK 5000™ Systems: Up to 128.
- GRAFIK 6000® Systems: Up to 512.

System Communications and Capacity

- Low-voltage IEC PELV/NEC® Class 2 wiring connects LUT-DMX Interface to other components.
- One LUT-DMX per system - no address. Does not count as one of the maximum number of addresses (Wallstations, Control Interfaces, or Control Units) allowed on a IEC PELV/NEC® Class 2 wiring link.

DMX 512 Link

- Three terminals for connecting the LUT-DMX to DMX 512-controlled equipment.
- Each terminal accepts up to two #18 AWG (1.0 mm²) wires.
- Link must be 1000 feet or less. Link may be extended with the Lutron MUX-RPTR interface.
- Link must begin and end with Link Terminators.

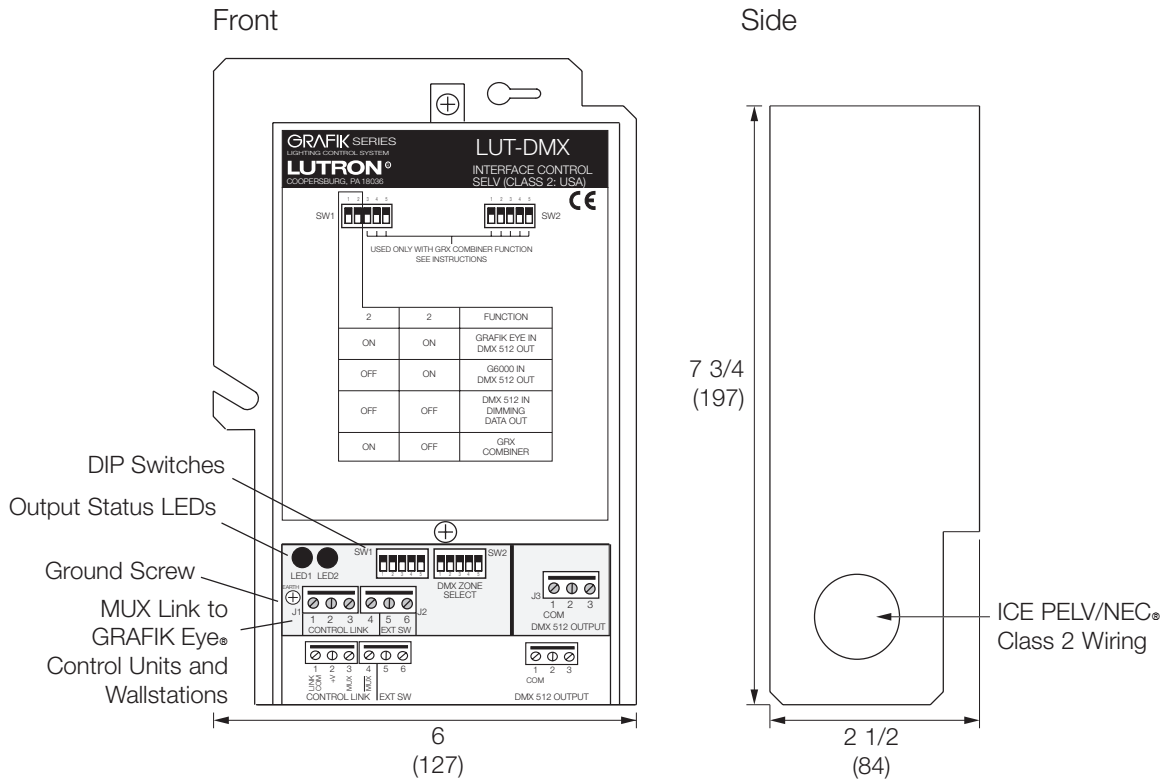
Environment

- 32 - 104 °F (0 - 40 °C). Relative humidity less than 90% non-condensing.

<p>Job Name:</p>	<p>Model Numbers:</p>
<p>Job Number:</p>	

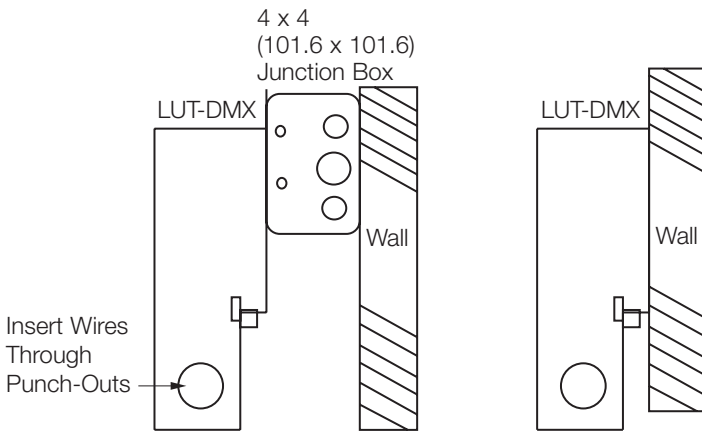
Dimensions

Measurements are shown in inches (mm).



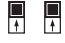
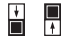
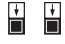

Mounting

- Mount on a 4 in (101.6 mm) square junction box.
- May also mount directly to the wall.
- Ensure that the metal casing is grounded. Connect a ground wire to the ground screw.
- Note that wires do not feed through the back of the unit.



Job Name:	Model Numbers:
Job Number:	

Functions and Zone Capacities

DIP Switch Settings	LUT-DMX Interface Functionality
1 2	
	Works with GRAFIK Eye® 3000 and 4000 Series Control Units. Enables them to operate up to 48 or 64 total GRAFIK Eye® lighting zones and DMX 512 channels.
	Works with GRAFIK 5000™, GRAFIK 6000®, and GRAFIK 7000™ Systems. Enables them to operate DMX 512-controlled equipment. <ul style="list-style-type: none"> • GRAFIK 5000™: Up to 128 total lighting zones and DMX 512 channels. • GRAFIK 6000®: Up to 512 total lighting zones and DMX 512 channels.
	Allows DMX 512 stage boards to control GP Dimming Panels. ¹
	Used only to retrofit existing GRAFIK Eye® lighting. GP 4000 combiner function. ¹

DMX 512 Link Wiring

- Connect the DMX 512 link terminals on the LUT-DMX Interface to the input terminals on DMX 512-controlled equipment.
- Each terminal on the LUT-DMX accepts two #18 AWG (1.0 mm²) wires.
- Link must be 1000 feet or less.
- Link must begin and end with Link Terminators.

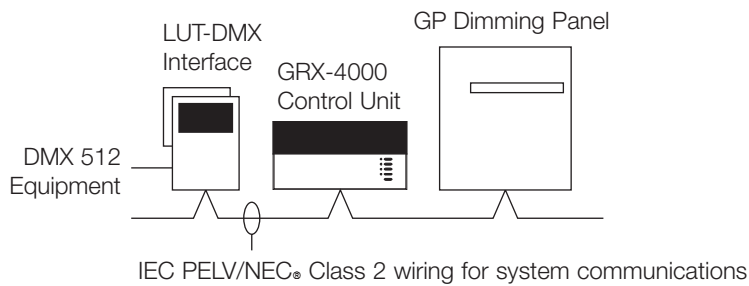
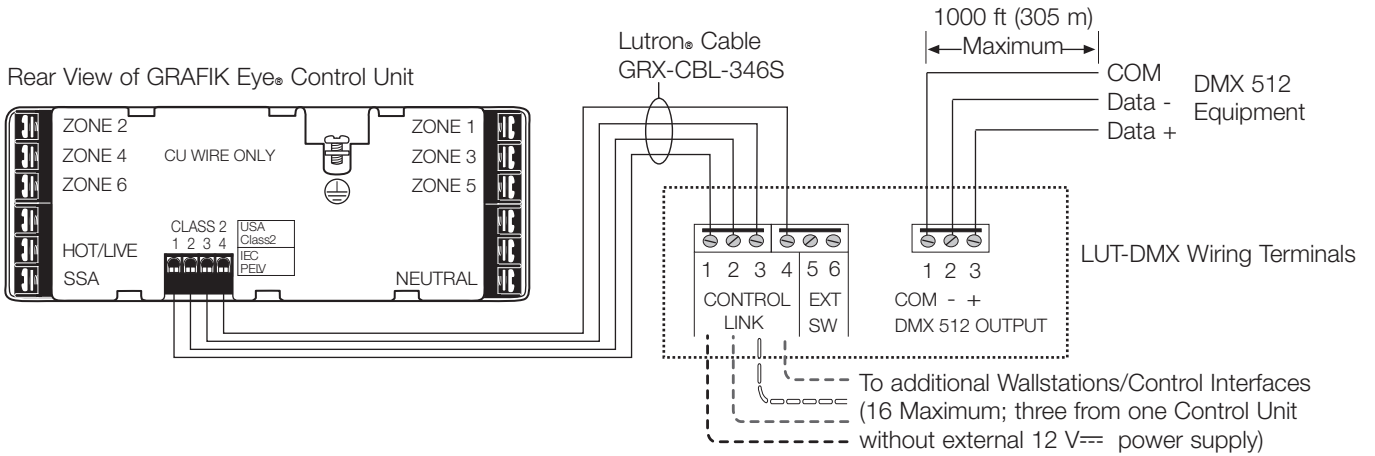
DMX 512 Link Terminals on LUT-DMX	Connect to:
1: DMX 512 system COMMON	DO NOT connect to COMMON on GRAFIK Eye® Control Unit or Processor.
2: DMX 512 system DATA - ($\overline{\text{MUX}}$)	Pin 2 on DMX 512 equipment.
3: DMX 512 system DATA + (MUX)	Pin 3 on DMX 512 equipment.

¹ For new construction, GP Dimming Panels are available with 2Link™ option, which provides DMX 512 control capability without an interface.

Job Name:	Model Numbers:
Job Number:	

IEC PELV/NEC® Class 2 Wiring for GRAFIK Eye® 3000/4000 Systems

- Make daisy-chain connections to the low-voltage IEC PELV/NEC® Class 2 MUX Link terminals on the front of LUT-DMX Interface.
- Do not use T-taps. Run all wires in and out of terminal block.
- Each terminal accepts up to two #18 AWG (1.0 mm²) wires.



Job Name:	Model Numbers:
Job Number:	

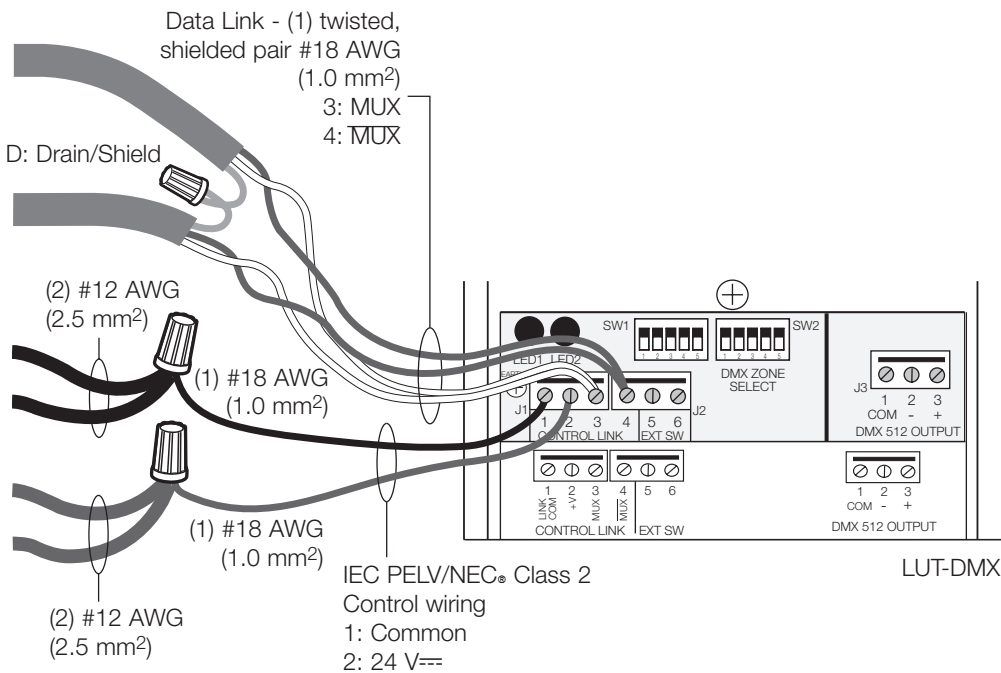
IEC PELV/NEC® Class 2 Terminal Connections

When used with GRAFIK Eye® 3000 Control Units

- Two #18 AWG (1.0 mm²) conductors for common (terminal 1) and 12 V_{DC} (terminal 2). Ensure that the terminal 2 connection is wired correctly. Refer to GRX-3000 Specification Submittal for more details.
- One shielded, twisted pair #18 AWG (1.0 mm²) for data link (terminals 3 and 4).

When used with GRAFIK Eye® 4000 Control Units

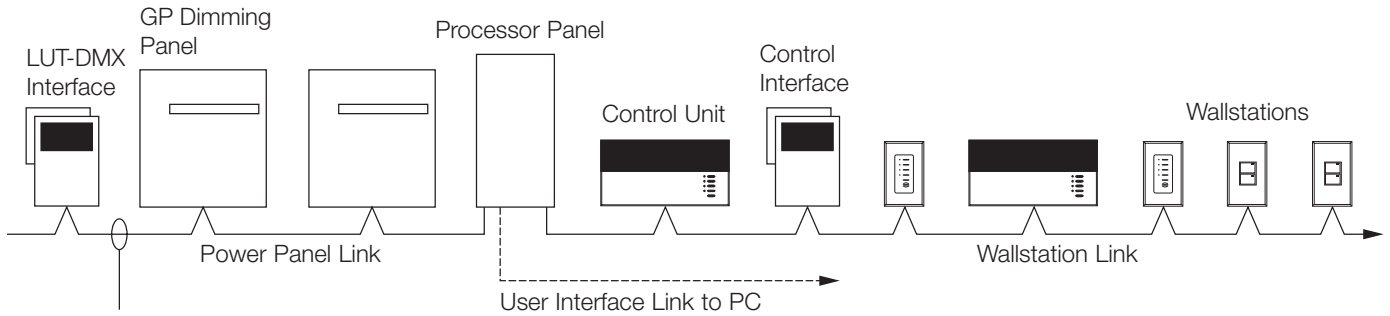
- Two #12 AWG (2.5 mm²) conductors for common (terminal 1) and 24 V_{DC} (terminal 2). These will not fit in terminals. Connect as shown.
- One shielded, twisted pair #18 AWG (1.0 mm²) for data link (terminals 3 and 4).
- Connect Drain/Shield as shown. Do not connect to Ground (Earth) or Wallstation/Control Interfaces. Connect the bare drain wires and cut off the outside shield.



Job Name:	Model Numbers:
Job Number:	

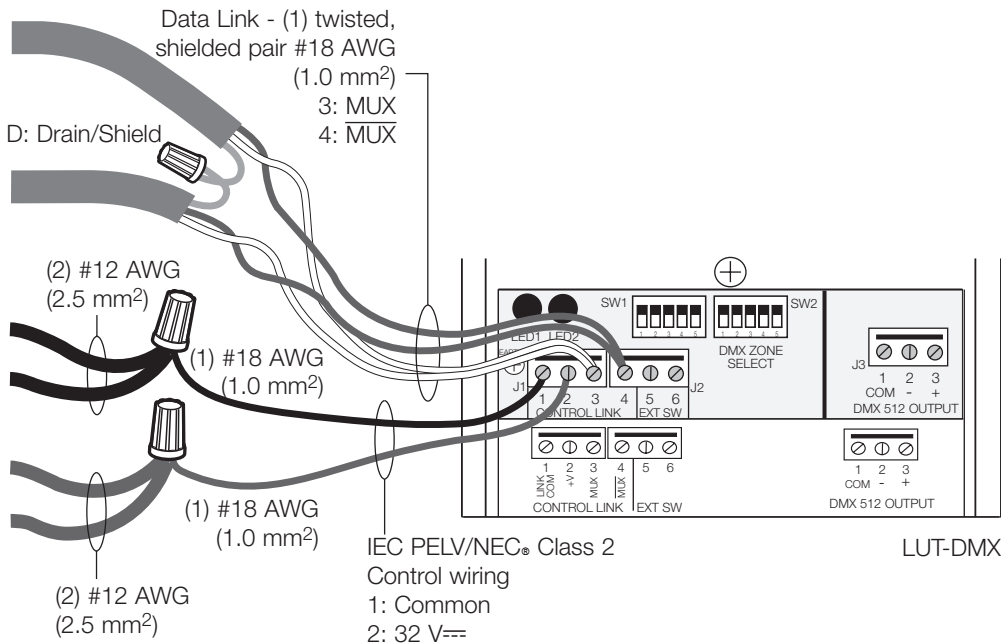
IEC PELV/NEC® Class 2 Wiring for GRAFIK 5000/6000/7000 Systems

- Connect the LUT-DMX on the Power Panel Link.
- Make daisy-chain connections to the low-voltage IEC PELV/NEC® Class 2 MUX Link terminals on the front of LUT-DMX Interface.
- Use Link Terminators at the beginning and end of the Power Panel Link.
- Refer to Processor Panel Specification Submittal for more information.



IEC PELV/NEC® Class 2 Terminal Connections

- Two #12 AWG (2.5 mm²) conductors for common (terminal 1) and 32 V_{DC} (terminal 2). These will not fit in terminals. Connect as shown.
- One shielded, twisted pair #18 AWG (1.0 mm²) for data link (terminals 3 and 4).
- Connect Drain/Shield as shown. Do not connect to Ground (Earth) or Wallstation/Control Interfaces. Connect the bare drain wires and cut off the outside shield.
- Do not connect the extra #18 AWG (1.0 mm²) wire to the LUT-DMX. Connect only to Dimming Panels as a “sense line” for emergency (essential) lighting.



Job Name:	Model Numbers:
Job Number:	