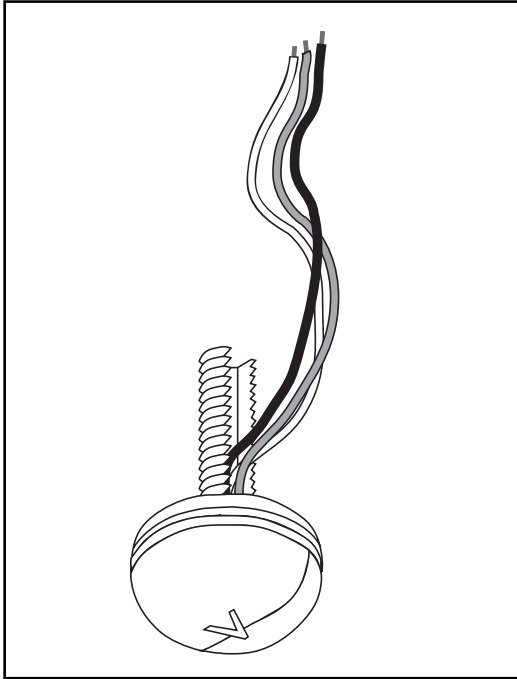


## Fixture Mountable Daylight Sensor



This daylight sensor is designed specifically to work with Lutron's Lighting Control Systems to implement daylight harvesting. It allows the Lighting Control System to automatically dim the lights when the available daylight is high, and brighten the lights when the available daylight is low, in order to maintain a specific light level in the space.

### Features

- Meets IEC 801-2. Tested to withstand 15kV electrostatic discharge without damage or memory loss.
- Photopic response matches human eye.
- Constructed of Flame retardant material with UL94 HB rating.
- Mounts easily on any ceiling tile or fixture with 3/8 in. (10mm) diameter hole.
- Threaded mounting stud (may be shortened for applications with limited fixture height).
- Calibrated for daylight sensitivity through the Lighting Control System to which it is attached.
- Designed to replace the MW-PS in any application.

**Job Name:**

**Model Numbers:**

**Job Number:**

## Specifications

### Standards

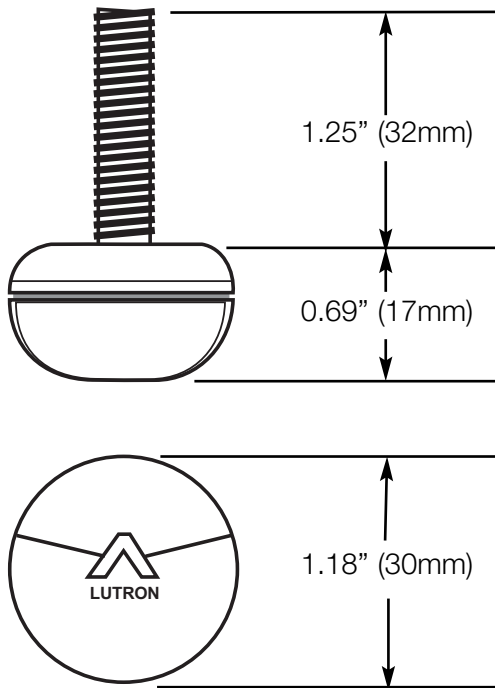
- Designed for Class 2 operation only. Voltages do not exceed 35VDC. Complies with requirements of NFPA 70, of the National Electric Code (NEC)
- Follow all applicable national and/or local wiring regulations when installing this sensor
- Designed to give a linear response to changes in viewed light level
- For use with Lutron products only

### Power

- Operating Voltage: Low-voltage Class 2, 15VDC
- Analog Signal: 0 - 500uA

### Environment

- Temperature: 32-113°F (0-45°C)
- Relative humidity: less than 90% non-condensing



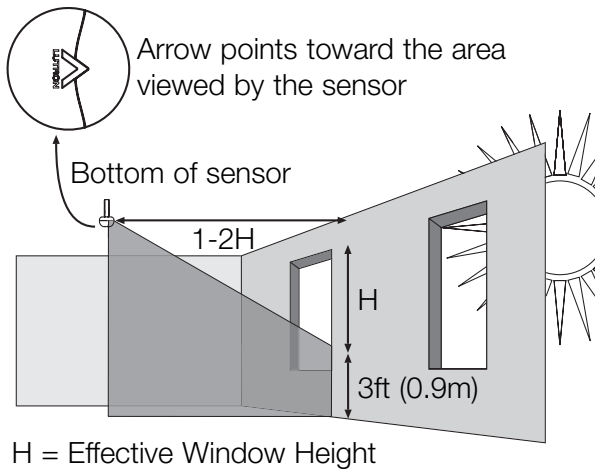
### Dimensions

Sensor lead length = 4" (101mm) minimum beyond threaded stud.

Total wire length from sensor to device must not exceed 200 ft (61m).

Threaded Stud Diameter = 3/8" (9.5mm) maximum.  
Use 3/8-16 wing nut (provided) for mounting.

<b>Job Name:</b>	<b>Model Numbers:</b>
<b>Job Number:</b>	



### Mounting

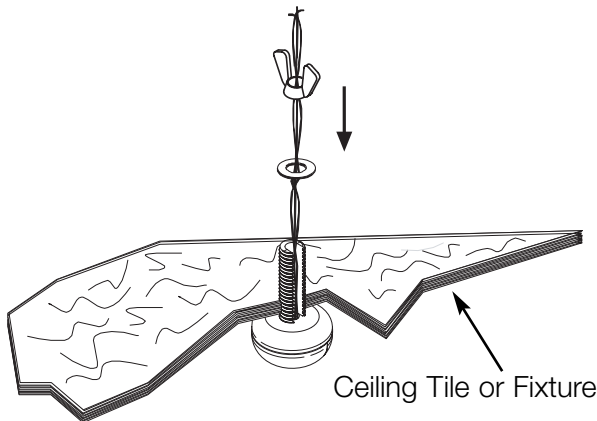
#### Determine the proper location of the Daylight Sensor using the adjacent diagrams.

- The arrow on the Daylight Sensor defines the viewing direction
- Place the daylight sensor so its viewing area is centered upon the nearest window at a distance of between 1-2 H from the window
- The effective window height, H, starts 3 feet up from the floor or at the windowsill, whichever is higher, and ends at the top of the window.
- Ensure that the view of the Daylight Sensor is not obstructed
- Do not position the Daylight Sensor in the well of a skylight or above indirect lighting fixtures

#### Mount the Daylight Sensor

- Drill a 3/8 in. (10mm) diameter hole in the ceiling tile or indirect fixture mounting surface
- Thread the wires up through the hole
- Install the Daylight Sensor into the hole
- Secure the Daylight Sensor with the mounting hardware provided (hand tighten only).

Note - If the stem of the Daylight Sensor must be shortened due to its location (for instance, in a pendant fixture) this should be done prior to wiring.

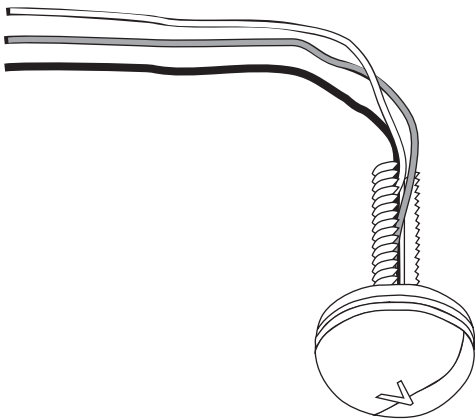


### Wiring

- Wire color designations:  
Yellow = Daylight  
Black = Common  
Red = 15VDC

#### To a Lighting Control System

- Make sure that the supply breaker to the control system is OFF
- Connect the three conductors to the appropriate terminals of the lighting control system



**Job Name:**

**Model Numbers:**

**Job Number:**