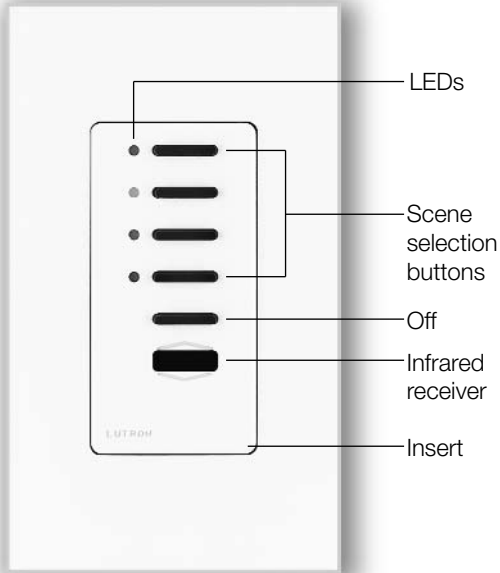


Color and Finish Codes

**NTOMX-4S-IR-\_\_-\_\_**  
**5-Button Wallstation with IR Receiver**



**Description**

- Used to select and adjust scenes.
- Scene selection buttons activate scenes.
- Status LEDs indicate which scene is selected.
- Recalls preset light levels for four scenes plus off with four-scene Wireless Remote Control (GRX-IT), or eight scenes plus off with eight-scene Wireless Remote Control (GRX-8IT).
- Off button turns all lights off.
- Allows fine tuning of light levels using the Wallstation or a Wireless Remote Control.
- May be custom-configured for other functions.
- Works with GRAFIK 5000/6000/7000 Systems.

**Finish and Engraving Options**

- Available with engraving to meet specific project needs.
- Available in a “no-insert” version for a sleeker look.
- Green LEDs are standard. Amber LEDs are optional.

<p><b>Job Name:</b></p>	<p><b>Model Numbers:</b></p>
<p><b>Job Number:</b></p>	

## Specifications

### Power

Low-voltage type Class 2 (PELV).  
Operating voltage: 32 V Direct Current.

### Key Design Features

- Meets IEC 801-2. Tested to withstand 15kV electro-static discharge without damage or memory loss.
- Faceplate snaps on with no visible means of attachment.
- Can be ganged to share a common faceplate with NovaT\* and Vareo Dimmers. Counts as a "small control" for ganging.

### System Communications and Capacity

- Low-voltage type Class 2 (PELV) wiring connects Wallstations to Processor Panel.
- Up to 32 Wallstations, Control Units, and/or Control Interfaces may be connected per Class 2 (PELV) wiring link.

### Terminals

Accept up to two #18 AWG (1.0mm<sup>2</sup>) typical.

### Environment

32-104°F (0-40°C). Relative humidity less than 90% non-condensing.

### Color and Finish Codes

#### Matte Finishes

Standard – Ship in 48 hours  
White WH  
Ivory IV  
Beige BE  
Gray GR  
Brown BR  
Black BL

#### Metal Finishes

Ship in 4 to 6 weeks  
Bright Brass BB  
Bright Chrome BC  
Bright Nickel BN  
Satin Brass SB  
Satin Chrome SC  
Satin Nickel SN  
Antique Brass QB  
Antique Bronze QZ

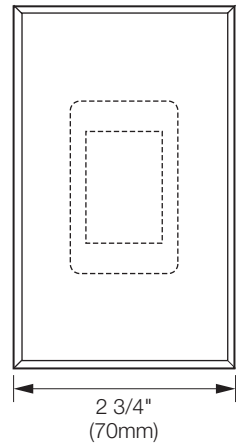
#### Anodized Aluminum Finishes

Ship in 4 to 6 weeks  
Clear CLA  
Black BLA  
Brass BRA  
Engraving E  
No Insert NI

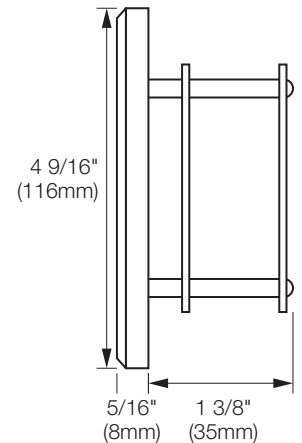
Also available:  
-Custom Controls  
-Color Matching  
Ship in 4 to 6 weeks. Pricing may vary depending on finishes.

### Dimensions

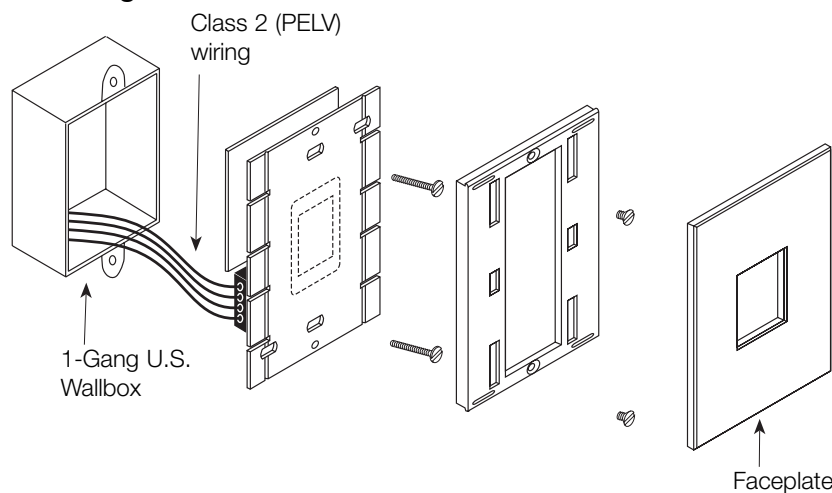
#### Front View



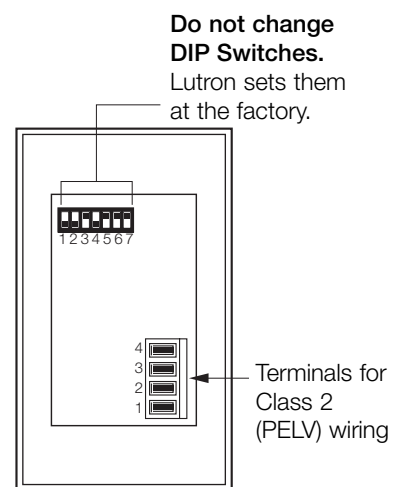
#### Side View



### Mounting



### Back View



Job Name:

Model Numbers:

Job Number:

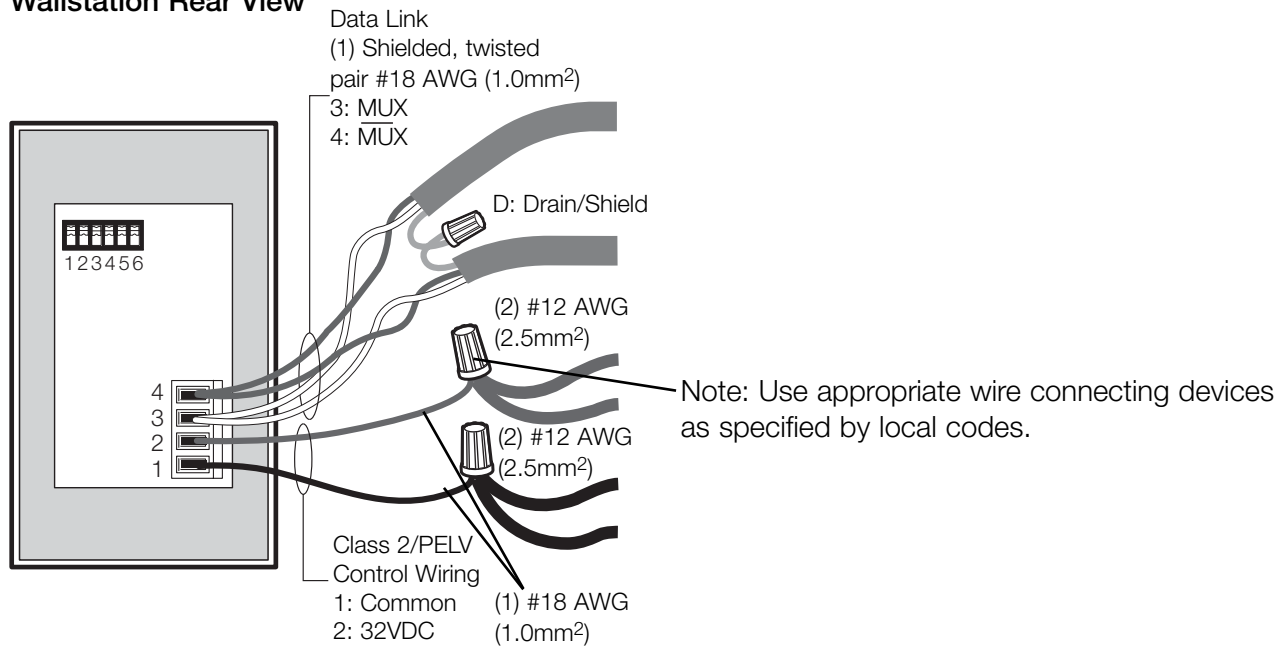
## Wallstation Installation

### Low-voltage Class 2 (PELV) Wiring

- Use low-voltage Class 2 (PELV) wiring to daisy-chain Wallstations to the Processor Panel.
- Make connections inside the wallbox or in a switch/junction box with a maximum wire length of 8 feet (2.5m) from the link to the Wallstation.
- Two #12 AWG (2.5mm<sup>2</sup>) conductors for common (terminal 1) and 32VDC (terminal 2). These will not fit in terminals. Connect as shown.
- One shielded, twisted pair #18 AWG (1.0mm<sup>2</sup>) for data link (terminals 3 and 4).
- Connect Drain/Shield as shown. Do not connect to Ground (Earth) or Wallstation. Connect the bare drain wires and cut off the outside shield.

Note: Some Wallstations have a “D” terminal for Drain. The Drain/Shield wire may be connected to this terminal.

### Wallstation Rear View



<b>Job Name:</b>	<b>Model Numbers:</b>
<b>Job Number:</b>	