

NTOMX-KS_____ - ___ - CPN5313

Features

- Ideal for public spaces.
- Provides key-only access to *GRAFIK* Systems lighting controls.
- Works with GRAFIK 5000™ / GRAFIK 6000® / GRAFIK 7000™, LCP128™ (LCP), and Softswitch128® (XPS) Systems.
- Recalls preset light levels for two scenes.
- Enables or disables wallstations (*GRAFIK* 5000/6000/7000 only).
- Enables or disables timeclock.
- May be custom-configured for other functions; see programming guides for specific systems for details.

Finish, Engraving, and Key Options:

See additional pages for options; also available with custom engraving to meet specific project needs. Replacement keys available (part number REP-KS-KEY). Contact Lutron for details.



Non-Insert Style



Insert Style
(standard decorator opening)

<p>Job Name:</p> <p>Job Number:</p>	<p>Model Numbers:</p>
--	-----------------------

How to Build a Model Number

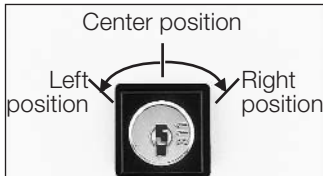
Example:

NTOMX-KS - - CPN5313

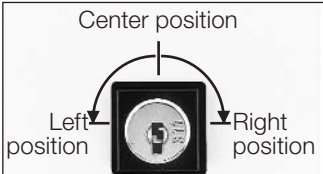
NTOMX-KSN3MOC-WH-CPN5313:
Non-insert, 3-position, momentary, key removable from center only, white

I = Insert
N = Non-Insert

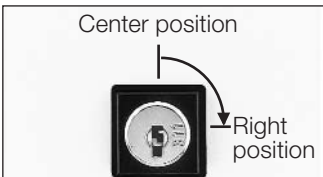
Available Key Settings:



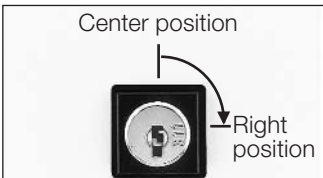
3MOC: 3-position
Momentary
Center position key removal
± 45° travel



3MAC: 3-position
Maintained
Center position key removal
± 90° travel



2MAC: 2-position
Maintained
Center position key removal
± 90° travel



2MAA: 2-position
Maintained
Any position key removal
± 90° travel

Color Code:

WH = White
BE = Beige
IV = Ivory
GR = Gray
BR = Brown
BL = Black
AL = Almond
LA = Light almond

Job Name:	Model Numbers:
Job Number:	

Specifications

Power

- PELV (Class 2: USA).
- Operating voltage: 24 V_{DC} 30 mA.

Key Design Features

- Tested to withstand 16 kV electrostatic discharge without damage or memory loss.
- Faceplate snaps on with no visible means of attachment.
- Insert version can be ganged with other controls using any standard decorator multigang faceplate. For non-insert version ganging, contact Lutron for custom faceplate options.

System Communications and Capacity

- Low-voltage PELV (Class 2: USA) wiring connects wallstations to processor panel.
- Up to 32 wallstations, control units, and/or control interfaces may be connected on each PELV (Class 2: USA) wiring link.

Terminals

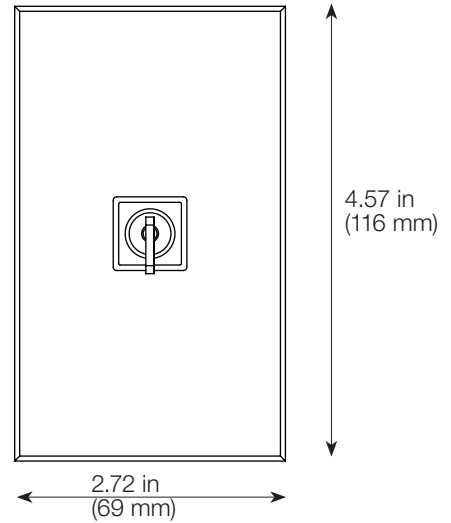
Each accepts up to two 18 AWG (1.0 mm²) typical.

Environment

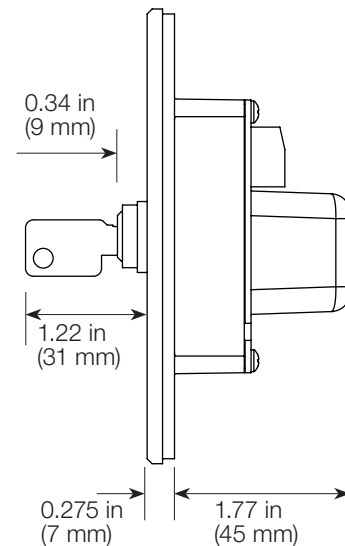
32 - 104 °F (0 - 40 °C). Relative humidity less than 90% non-condensing.

Dimensions

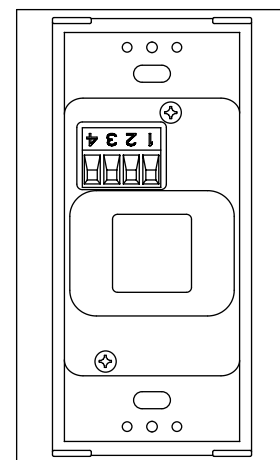
Front View



Side View

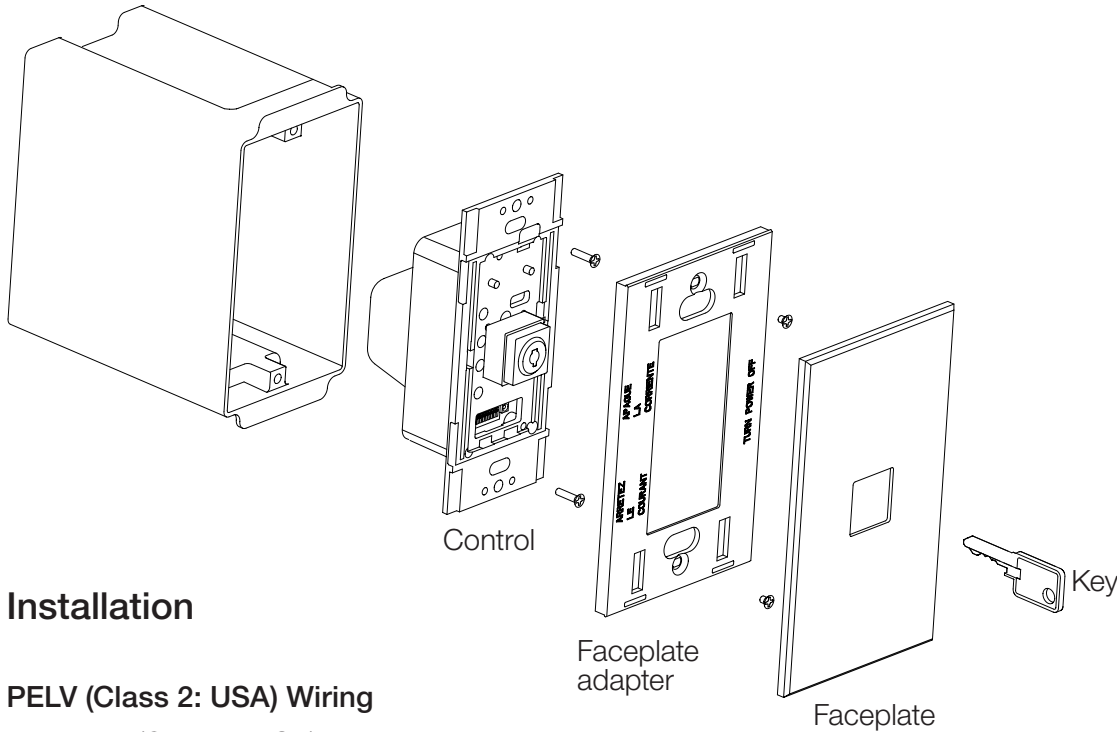


Back View



Job Name:	Model Numbers:
Job Number:	

Mounting

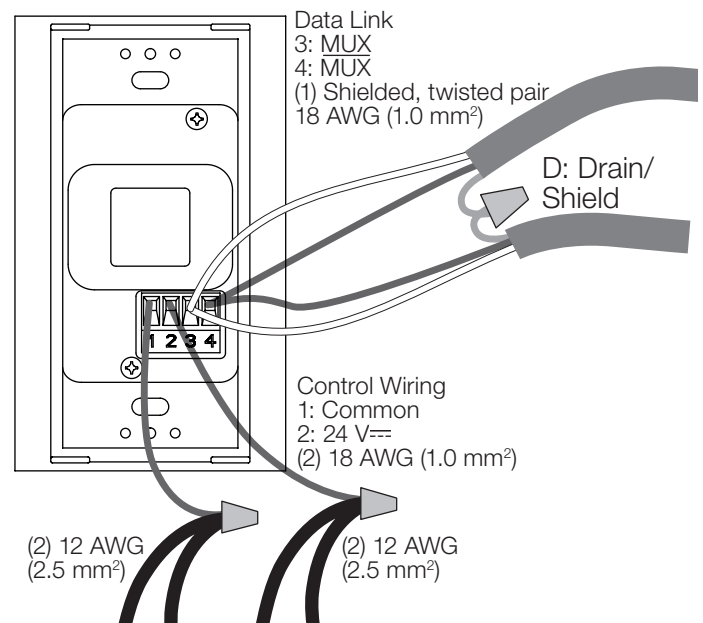


Installation

PELV (Class 2: USA) Wiring

- Use PELV (Class 2: USA) wiring to daisy-chain wallstations to the processor panel.
- Make connections inside the wallbox or in a switch/ junction box with a maximum wire length of 8 ft (2.5 m) from the link to the wallstation.
- Two 18 AWG (1.0 mm²) conductors for common (terminal 1) and 24 V_{DC} (terminal 2). If wires are larger, splice a 18 AWG (1.0 mm²) wire to the wires to make the connection.
- One shielded, twisted pair 18 AWG (1.0 mm²) for data link (terminals 3 and 4).
- Connect Drain/Shield as shown. Do not connect to Ground (Earth) or wallstation. Connect the bare drain wires and cut off the outside shield.

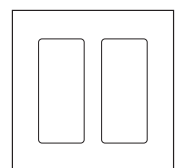
Cable is available from Lutron: GRX-CBL-346S-500 (non-plenum) and GRX-PCBL-346S-500 (plenum). Check compatibility in your area.



Multi-Gangung

- Order Insert (I) style controls.
- To order Wallplates for multi-gangung, specify "R3" openings in a NovaT[☆] multi-gang FB (fins broken) Series model number.

Example:
Wallplate for 2 OMX Keyswitches,
Model # NT-R3-R3-FB-(color)

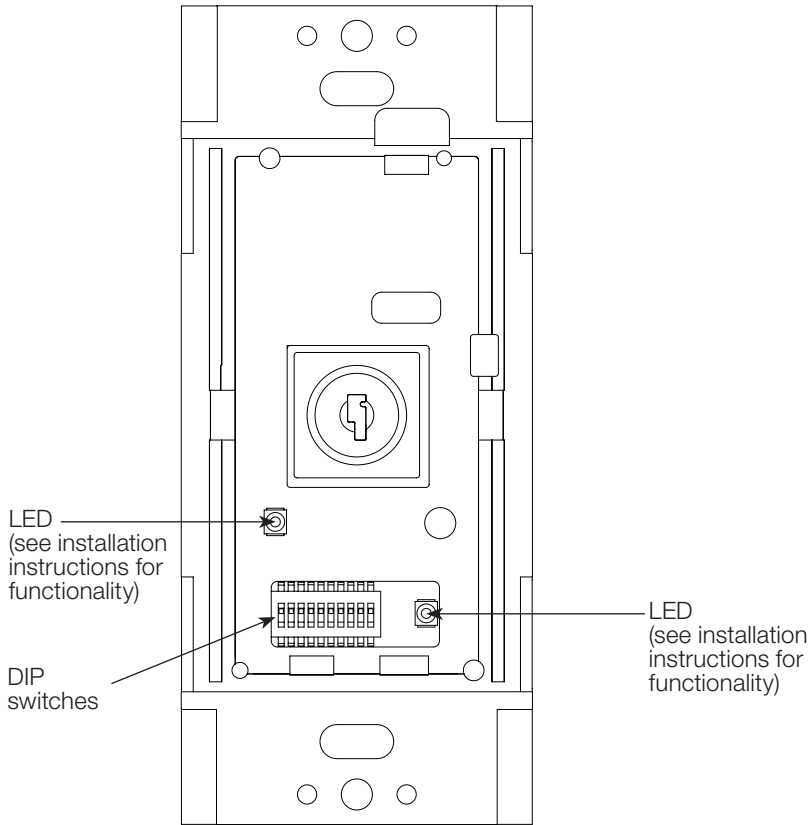


LUTRON® SPECIFICATION SUBMITTAL

Job Name:	Model Numbers:
Job Number:	

Operation

Front View (faceplate removed)



DIP Switch Settings (Addressing only)

Note: Switches 6-10 are unused.

Address	Setting	Address	Setting	Address	Setting	Address	Setting
1		9		17		25	
2		10		18		26	
3		11		19		27	
4		12		20		28	
5		13		21		29	
6		14		22		30	
7		15		23		31	
8		16		24		32	

Switch Up (On)

Switch Down (Off)

Job Name:	Model Numbers:
Job Number:	