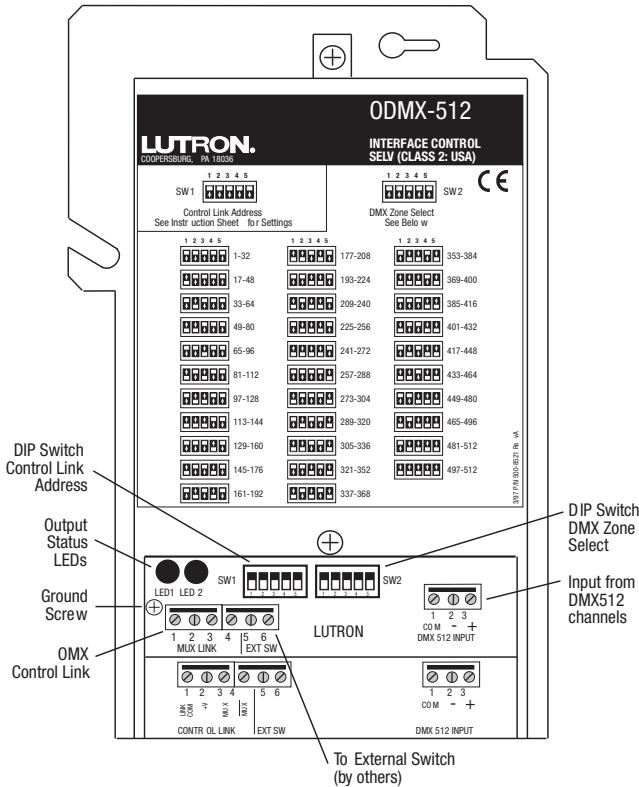


# ODMX-512

DMX512 Input Interface (Class 2 Device) 24 V $\overline{=}$  100 mA

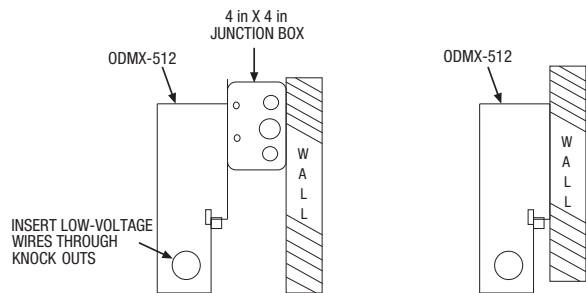
For Lutron GRAFIK 5000™, GRAFIK 6000®, GRAFIK 7000™, and LCP128™ Lighting Control Systems

**Installation Instructions**  
**Please Leave for Occupant**



## Installation

- 1. Prewiring:** The Control Links require special wiring considerations. Refer to your lighting control system Installation Guide and/or Lutron job drawings for wiring restrictions that may apply to your specific project.
- Turn power OFF to the lighting control system.  
**⚠ WARNING: Shock Hazard. Always turn off the power to the control panel before doing any work. Failure to do so can result in death or serious personal injury and/or damage to the equipment.**
- Mount the ODMX-512 Interface to a junction box or to a wall as shown. If the unit is not mounted to a metal junction box, ensure proper grounding of the metal casing by connecting a ground wire to the ground screw. Unscrew and remove the front enclosure cover to expose the terminal blocks, DIP Switch, and Output Status LEDs. Insert wires through side knockouts only.



## Description

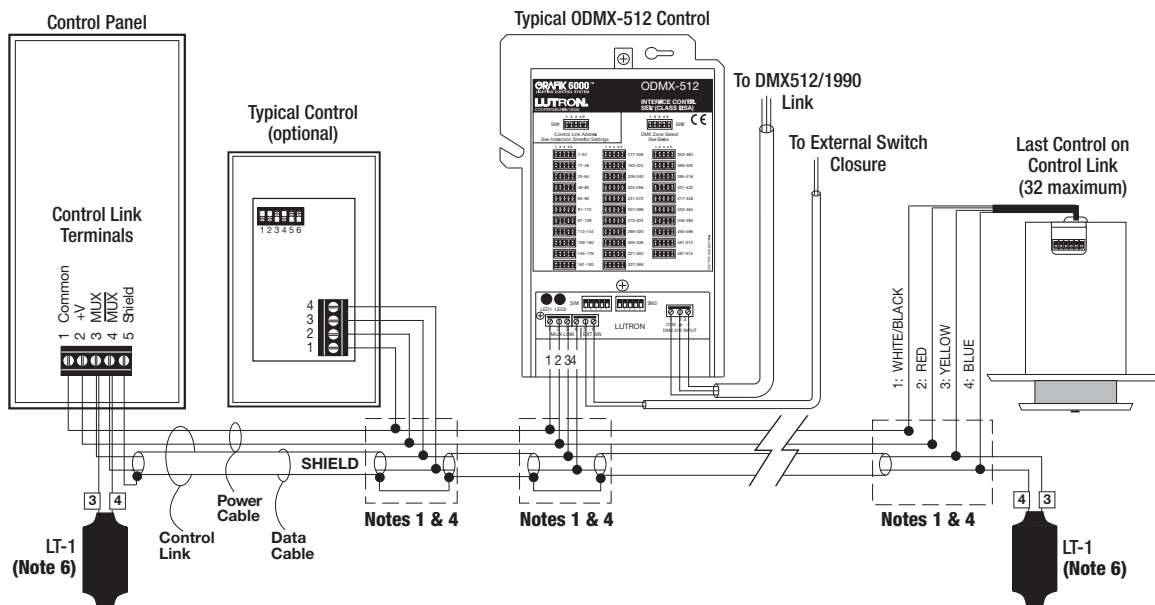
The ODMX-512 Interface Control provides an interface between a DMX512/1990 compatible stage lighting console (provided by others) and a Lutron lighting control system. The ODMX-512 will read up to 32 consecutive DMX512 channel levels (selectable by DIP switches). The ODMX-512 also contains terminals that allow an external switch to be used as an input to the lighting control system.

## Important Notes:

1. Read all instructions carefully before starting installation.
2. Install in accordance with all national and local electrical codes.
3. Turn power **OFF** at the control panel **BEFORE** installing controls. **DO NOT** connect high-voltage power to low-voltage terminals. Improper wiring can result in personal injury or damage to the control and other equipment.
4. Check with your local electrical inspector for compliance with local codes and wiring practices.

- 4. Assign Addresses:** Address all controls on the Control Link. Refer to Lutron job drawings for any preassigned job-specific address for each control. Each Control Link can support up to 32 devices. For proper system operation, each control on a link must have a unique address. Set DIP Switch SW1, switches 1-5 on each control to select the Link Address (see **Control Link Address Settings** on back of sheet). Record assignments for future reference.
- 5. Assign DMX 512 channels to read:** Using the unit label as a guide, set DIP Switch (SW2 DMX Zone Select) on the unit to the desired group of 32 DMX512 channels to read.
6. Strip insulation from wires so 3/8 in. (9.5 mm) of bare wire is exposed (terminals will accept up to two #18 AWG (1.0 mm<sup>2</sup>) wires). If using larger wire, splice an #18 AWG (1.0 mm<sup>2</sup>) to the larger wire to make the connection.
7. Connect Control Link wiring as shown in **Typical Control Link Wiring Diagram**. Confirm all connections.
8. Connect external equipment to the DMX512 Input terminals as shown in the **Typical Interface Wiring Diagram**.
9. Replace front enclosure cover. Restore power to the control panel **AFTER** the installation of the system is complete.

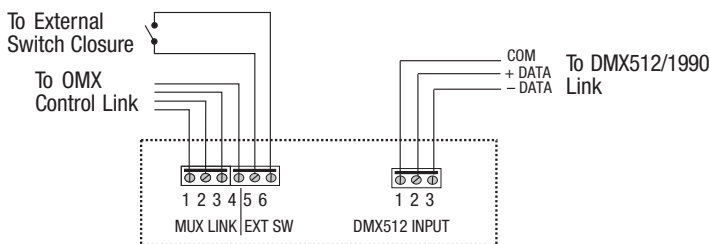
# Typical Control Link Wiring Diagram



## Wiring Notes:

1. Connection of the control to the Control Link should be made inside the ODMX-512 or in a junction box (provided by others) located no more than 8 ft (2.5 m) from control.
2. Control link wiring must not be run in the same raceway as line voltage power.
3. Total Control Link length is not to exceed 2000 ft (600 m) unless signal is boosted by a link booster (MX-RPTR).
4. Data cable shield must be maintained throughout the Control Link. **DO NOT** connect the shield to earth/ground.
5. Refer to your lighting control system Installation Guide and Lutron job drawings for power cable and data cable (Control Link) wiring restrictions and limitations.
6. Control Link requires a LT-1 (Link Termination Assembly) at each end of the Control Link. Refer to LT-1 instruction sheet for location and installation information.

# Typical Interface Wiring Diagram



- ODMX-512 is one unit load on the DMX512 link as per the DMX512/1990 and EIA-485 standards.
- Proper DMX512 link wiring practices are required.
- Proper external DMX512 link termination resistor is needed if the ODMX-512 is at the end of the DMX512 link.
- Maintained switch closure must be dry or wet contact closures with:
  - On state saturation voltage less than 1.0 V $\overline{\text{=}}$
  - Off state leakage current less than 10  $\mu\text{A}$

## Worldwide Technical and Sales Assistance

If you need assistance, call the toll-free Lutron Hotline:  
 800.523.9466 (USA, Canada, Caribbean)  
 Other countries, call 610.282.3800  
 Fax: 610.282.3090

# Control Link Address Settings

DIP Switch SW1 settings (switches 1-5)

| ADDRESS | SWITCH SETTING | ADDRESS | SWITCH SETTING | ADDRESS | SWITCH SETTING | ADDRESS | SWITCH SETTING |
|---------|----------------|---------|----------------|---------|----------------|---------|----------------|
|         | 1 2 3 4 5      |         | 1 2 3 4 5      |         | 1 2 3 4 5      |         | 1 2 3 4 5      |
| 1       | 00000          | 9       | 00000          | 17      | 00000          | 25      | 00000          |
| 2       | 00000          | 10      | 00000          | 18      | 00000          | 26      | 00000          |
| 3       | 00000          | 11      | 00000          | 19      | 00000          | 27      | 00000          |
| 4       | 00000          | 12      | 00000          | 20      | 00000          | 28      | 00000          |
| 5       | 00000          | 13      | 00000          | 21      | 00000          | 29      | 00000          |
| 6       | 00000          | 14      | 00000          | 22      | 00000          | 30      | 00000          |
| 7       | 00000          | 15      | 00000          | 23      | 00000          | 31      | 00000          |
| 8       | 00000          | 16      | 00000          | 24      | 00000          | 32      | 00000          |

## Warranty

Lutron will, at its option, repair or replace any unit that is defective in materials or manufacture within one year after purchase. For warranty service, call the Lutron Hotline at 800.523.9466 and ask for field service. Lutron shall, at its option, arrange for repair or replacement of any defective unit. **This warranty is in lieu of all other warranties, express or implied, and the implied warranty of merchantability is limited to one year from purchase. This warranty does not cover the cost of installation, removal, or reinstallation, or damage resulting from misuse, abuse, or damage resulting from improper wiring or installation.** This warranty gives you specific legal rights, and you may also have other rights which vary from state to state. Some states do not allow the exclusion or limitation of incidental or consequential damages or limitations on how long an implied warranty may last, so the above limitations may not apply to you.

Lutron, the Sunburst logo, and GRAFIK 6000 are registered trademarks and GRAFIK 5000, GRAFIK 7000, and LCP128 are trademarks of Lutron Electronics Co., Inc. ©2011 Lutron Electronics Co., Inc.