

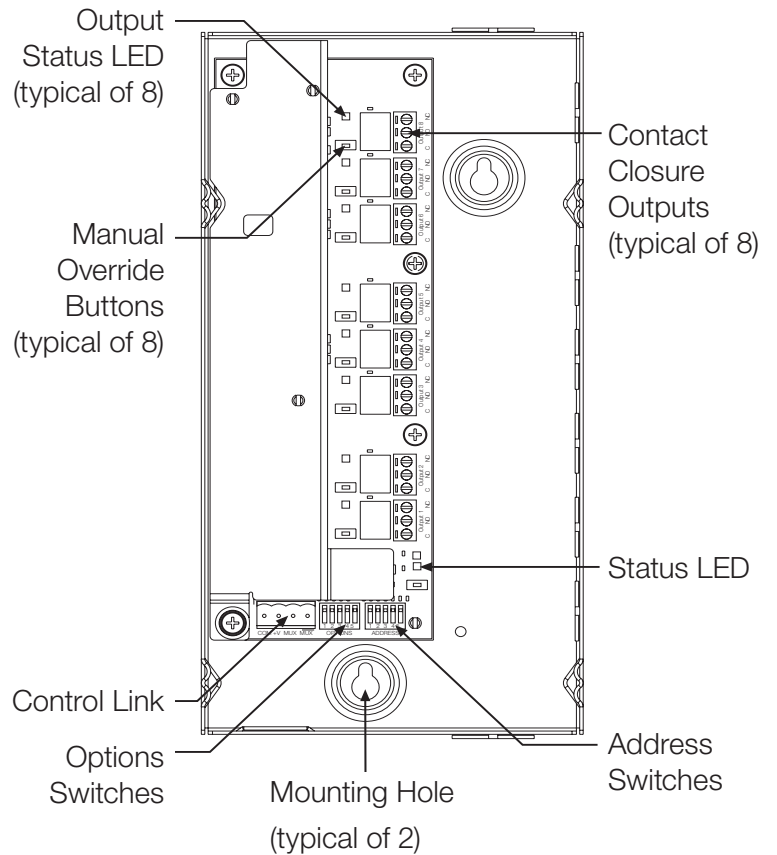
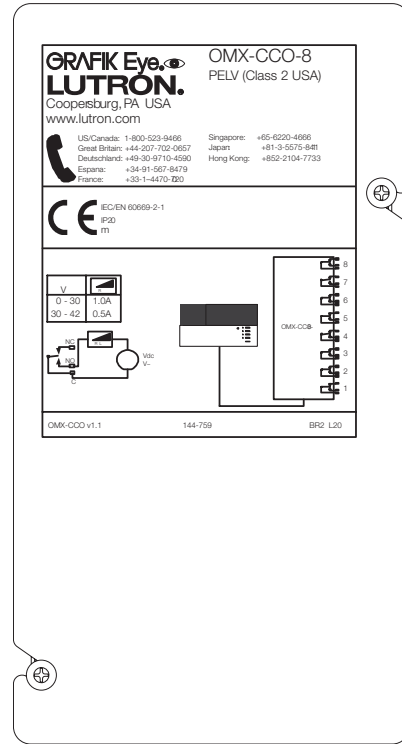
OMX-CCO-8

Description

- Integrates control of third party motorized window treatments or A / V equipment with GRAFIK 5000/6000/7000™, LCP128™ and Softswitch128® Systems.
- The OMX-CCO-8 provides eight dry contact closure outputs.

Features

- The OMX-CCO-8 provides both normally open (NO) and normally closed (NC) contacts.
- The OMX-CCO-8 may be set to momentary or maintained outputs.
- The outputs may be set as individual outputs or motorized window treatment channels.
- Motorized window treatment channels may be set to have OPEN and CLOSE outputs or OPEN, STOP, and CLOSE outputs.
- Manual override buttons allow the testing of the system.



Job Name:	Model Numbers:
Job Number:	

Specifications

Power

Class 2 (PELV)
 Operating voltage: 32 VDC

System Communications

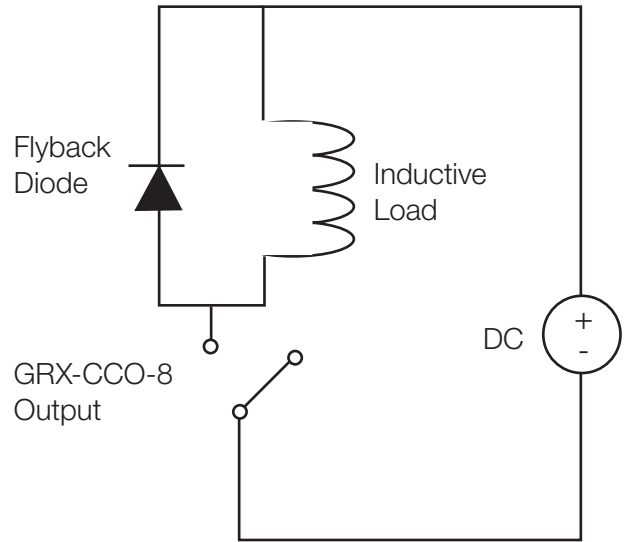
- Class 2 (PELV) wiring connects OMX-CCO-8 to Central Processor and other components.
- OMX-CCO-8 occupies one of 32 Wallstation addresses on the GRAFIK Systems Control Link.

Environment

- 32 °F (0 °C) to 104 °F (40 °C)
- Relative humidity less than 90%, non-condensing.

Output Ratings

Note: The OMX-CCO-8 is not rated to control unclamped, inductive loads. Inductive loads include, but are not limited to, relays, solenoids, and motors. To control these types of equipment, a flyback diode must be used (DC voltages only). See diagram.

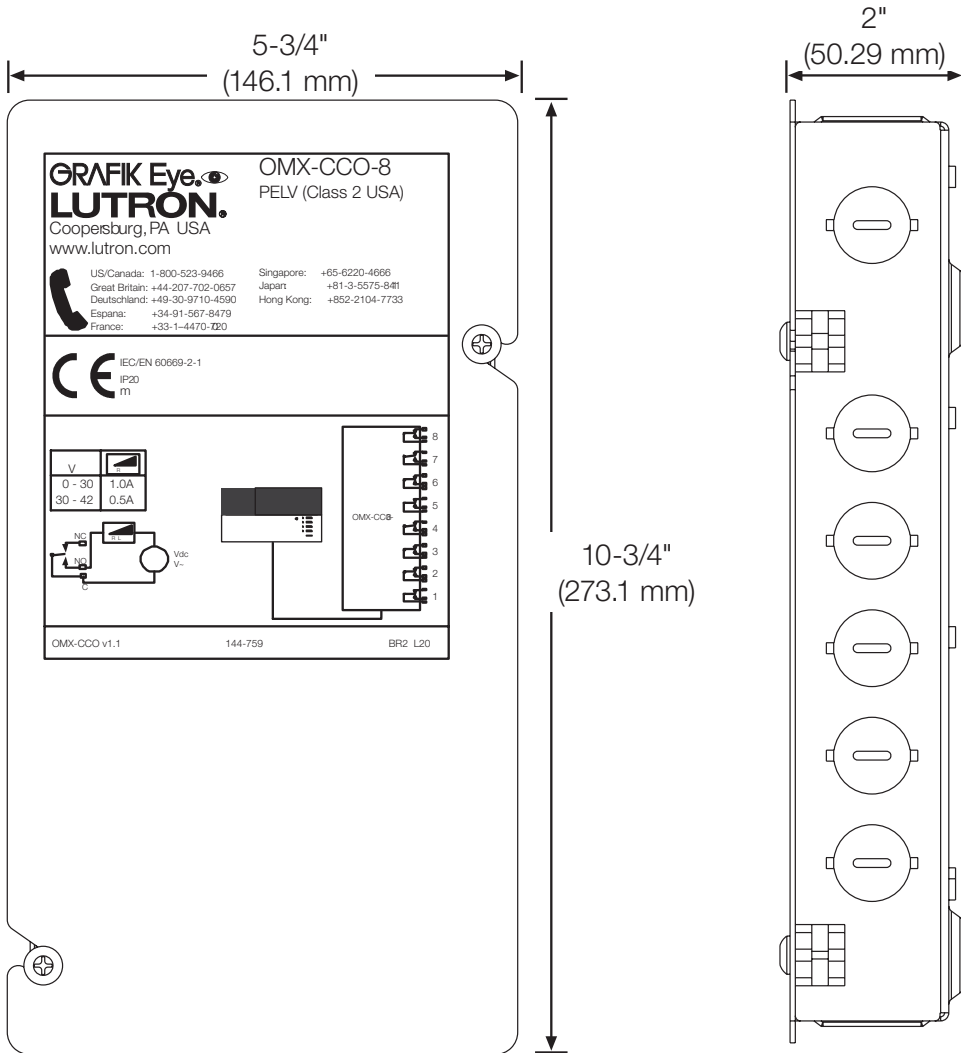


Supply Voltage	Resistive Load	
0-30 V	1.0 A	
30-42 V	0.5 A	

Job Name:	Model Numbers:
Job Number:	

Dimensions and Mounting

- Mount the OMX-CCO-8 on a clean, dry surface.
- Allow 4.5" (114 mm) between the OMX-CCO-8 and other equipment/walls.
- Internal relays will click while in operation. Mount where this is acceptable.
- Mount in a location that is accessible for system programming and setup.



Job Name:	Model Numbers:
Job Number:	

Operating Modes

Motorized Window Treatment Channels

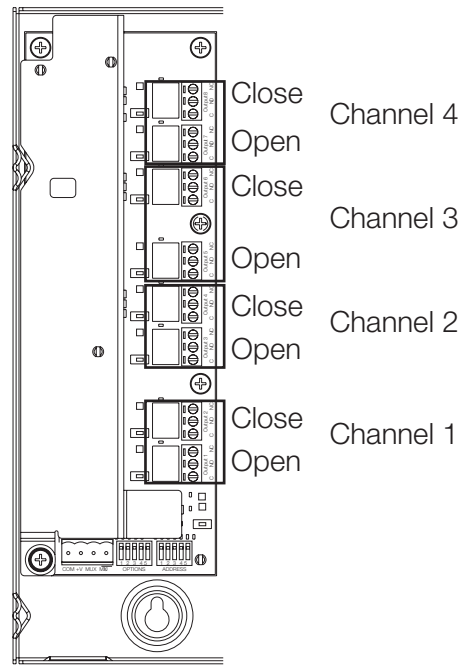
Applications

- Integrate the control of motorized window treatments with GRAFIK Systems in existing applications (retrofit).
- Integrate the control of motorized window treatments with a GRAFIK Systems when third party motor controllers are used.

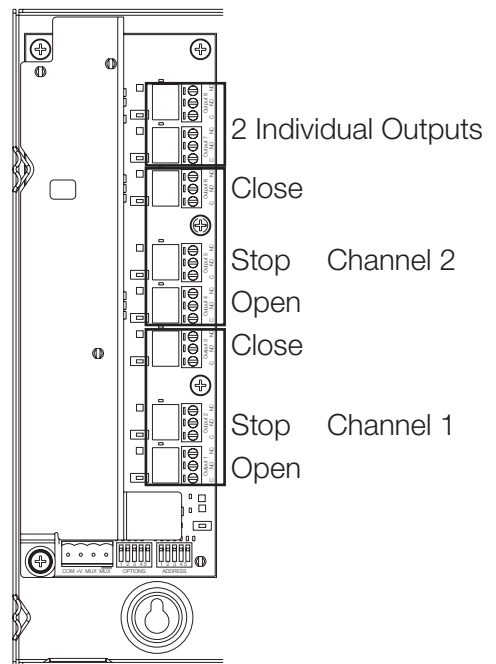
Operation

- Two or three outputs are grouped together to form a Motorized Window Treatment (MWT) channel. These outputs provide the OPEN, STOP, and CLOSE signals to control third party motor controllers (see diagram below).
- The method in which the OMX-CCO-8 stops motorized window treatments is selectable to accommodate different types of motor controllers.
 - Pulse the OPEN and CLOSE outputs simultaneously.
 - Pulse the most recent output again.
 - Pulse a dedicated STOP output (Uses three outputs per channel. In this configuration, the OMX-CCO-8 may have a maximum of 2 MWT channels).
- Set the number of MWT channels from 0 to 4 to fit your application.
- Outputs not used in MWT channels may be used as individual outputs. Example: If there are two MWT channels, and there are three outputs per MWT channel, there will be two outputs left over to be used as individual outputs.
- Outputs may be set as momentary or maintained.

2 Outputs per Channel

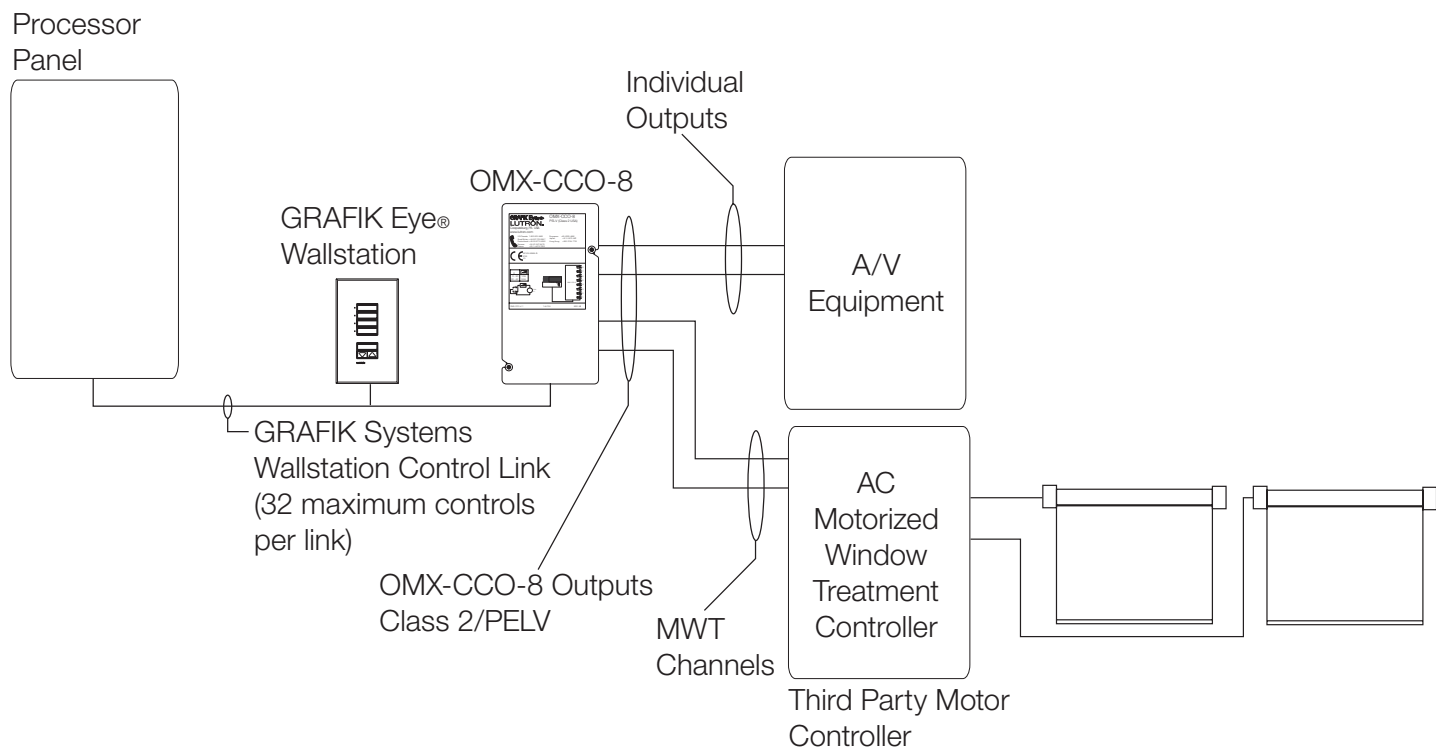


3 Outputs per Channel



<p>Job Name:</p> <p>Job Number:</p>	<p>Model Numbers:</p>
--	-----------------------

System Diagram - Motorized Window Treatment Control



Job Name:	Model Numbers:
Job Number:	

Operating Modes

Individual Outputs

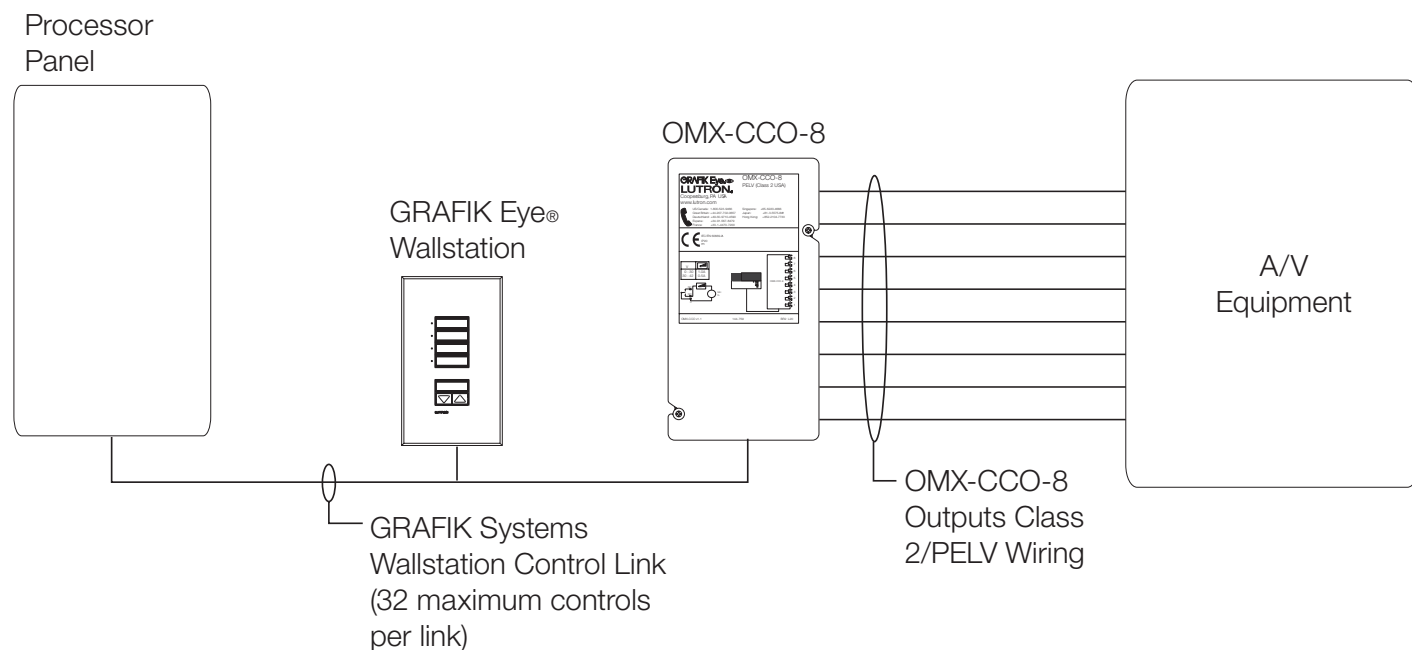
Applications

- Control A/V or other equipment.
- Provide status feedback to third party systems.

Operation

- The OMX-CCO-8 output is opened or closed based on commands from the GRAFIK Systems central processor.

System Diagram - Individual Outputs



Job Name:	Model Numbers:
Job Number:	