

OMX-CI-RS232 Control Interface

Description

- Integrates GRAFIK 5000™, GRAFIK 6000®, GRAFIK 7000™, Softswitch128®, and LCP128® systems with a touchscreen or other digital equipment that supports RS232 communication.
- Provides monitoring commands that allow a touchscreen to query lighting systems to:
 - Determine which scene is selected.
 - Keep track of buttons pressed.
- Provides control commands that allow a touchscreen to operate lighting systems to:
 - Select or sequence lighting scenes.
 - Raise or Lower one or more zones.
 - Lock lighting controls.
 - Activate panic mode (lights go to full on).
 - Simulate button actions
 - Disable or Enable timeclock(s)



Job Name:	Model Numbers:
Job Number:	

Specifications

Power

- IEC PELV/NEC® Class 2
- Operating Voltage: 12 V $\overline{=}$ 125 mA
24 V $\overline{=}$ 65 mA

Uses OMX RS232 Command Set

- Monitoring: Scene selection and scene status updates.
- Control: Scene selection, scene lockout, sequencing, zone lockout, zone raise/lower.

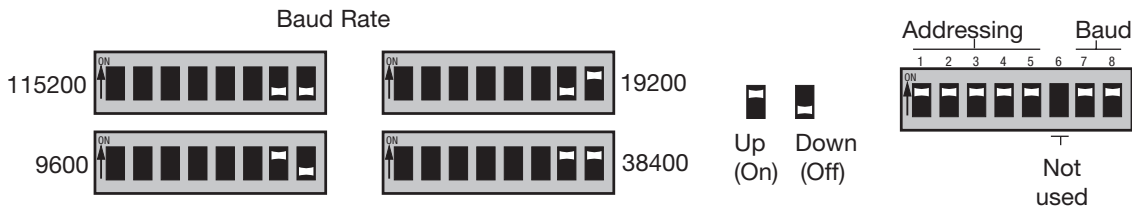
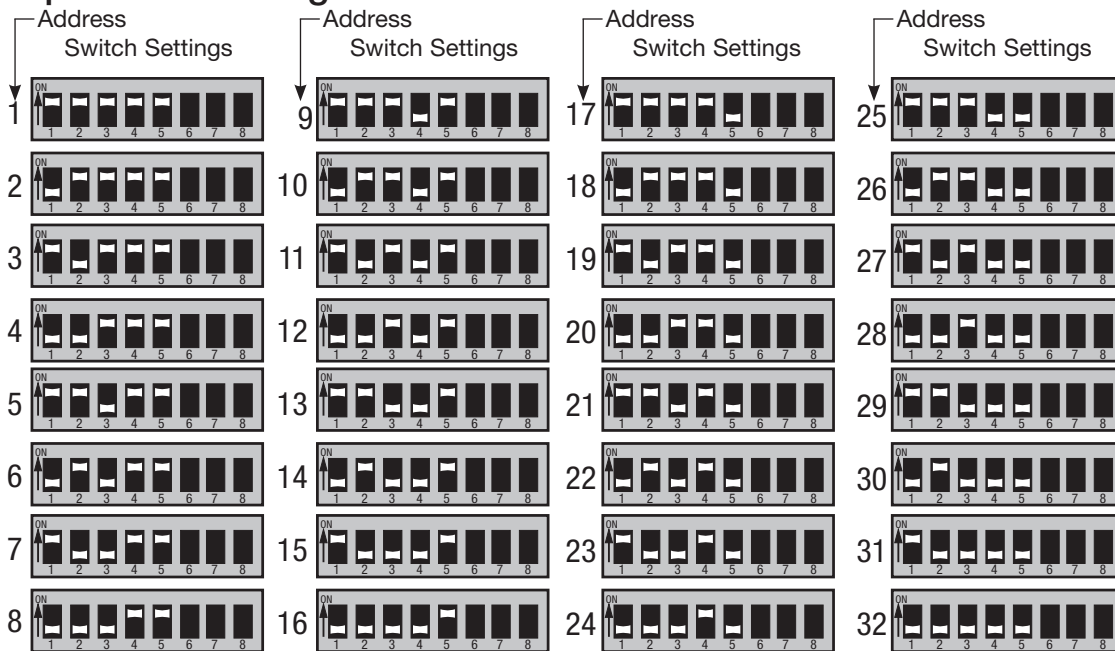
System Communications and Capacity

- IEC PELV/NEC® Class 2 wiring connects OMX-RS232 Interface to Processor Panel.
- Multiple OMX-RS232 Control Interfaces may be used.
- 50 ft (15 m) maximum from OMX-RS232 Interface to PC or other RS232 source.

Environment

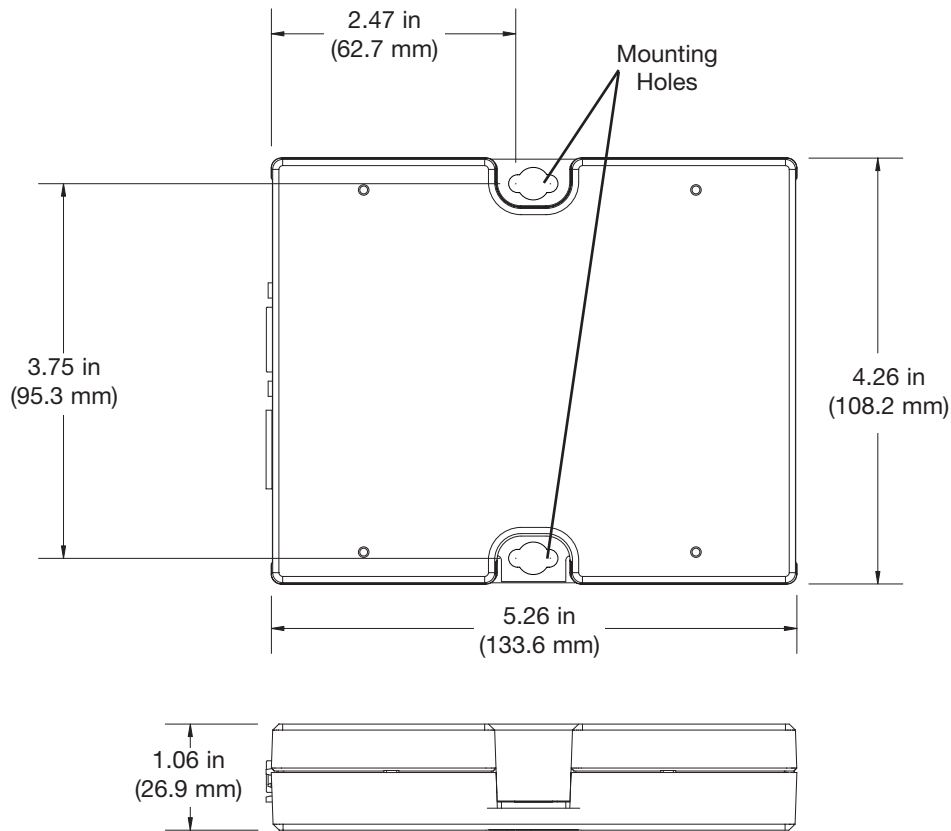
32 to 104 °F (0 to 40 °C). Relative humidity less than 90% non-condensing.

Dip Switch Settings



Job Name:	Model Numbers:
Job Number:	

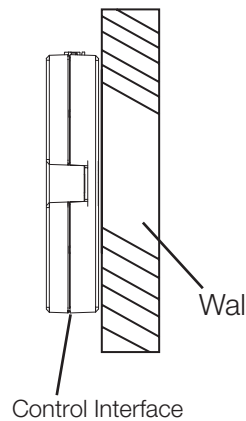
Dimensions



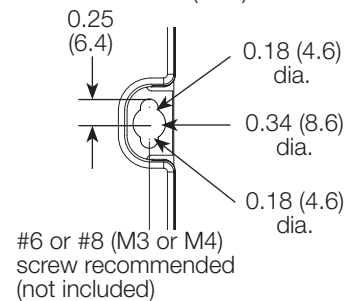
Mounting

1. Mount the control interface directly on a wall, as shown in the Mounting Diagram, using screws (not included). When mounting, provide sufficient space for connecting cables. The unit can also be placed in the LUT-19AV-1U AV rack using the screws provided with the unit. The LUT-19AV-1U will hold up to four units. If conduit is desired for wiring, the LUT-5x10-ENC can be used to mount one unit.
2. Strip 3/8 in (10 mm) of insulation from wires. Each data link terminal will accept up to two 18 AWG (1.0 mm²) wires.
3. Connect wiring as shown in the Wiring Diagram (next page). LED 1 lights continuously (Power) and LED 7 blinks rapidly (Data Link RX) when the IEC PELV/NEC® Class 2 Data Link is installed correctly.

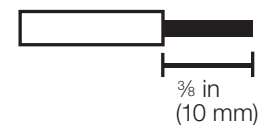
Mounting Diagram



Mounting Hole Detail



Wire Strip Length



LUT-5x10-ENC



LUT-19AV-1U

Job Name:	Model Numbers:
Job Number:	

RS232 Link Wiring

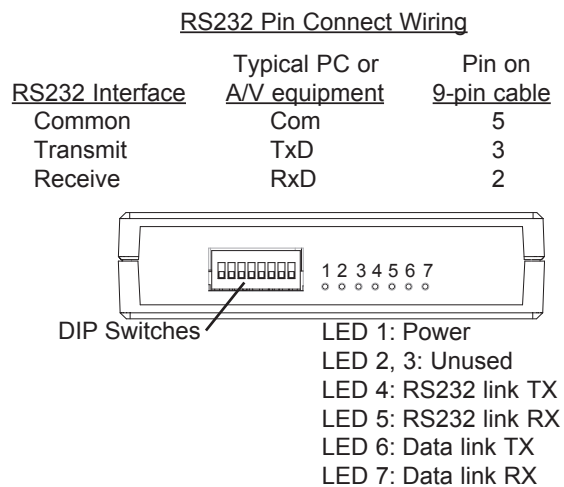
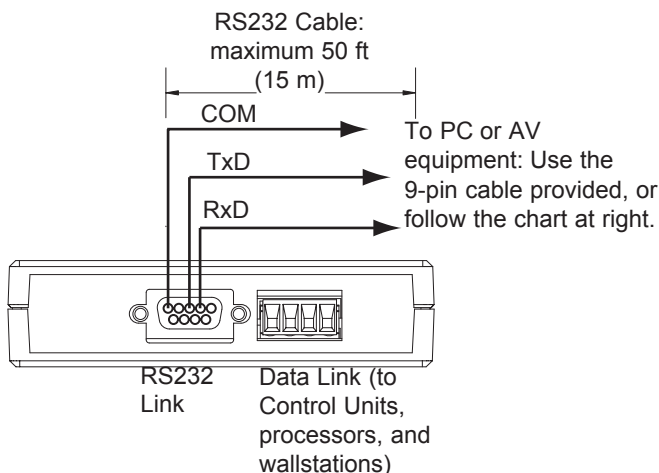
- Use cable provided.
- Standard 9-pin serial connector plugs into RS232 equipment, other end connects to RS232 Link terminals.
- Must be 50 ft (15 m) or less.

RS232 Signals

OMX-RS232 Link Terminal	Signal	Typical PC or A/V Equipment	Pin on 9-pin Cable
1	Common	Com	5
2	Data Out	TxD	3
3	Data In	RxD	2
4	No Connect		
5	No Connect		

IEC PELV/NEC® Class 2 Wiring

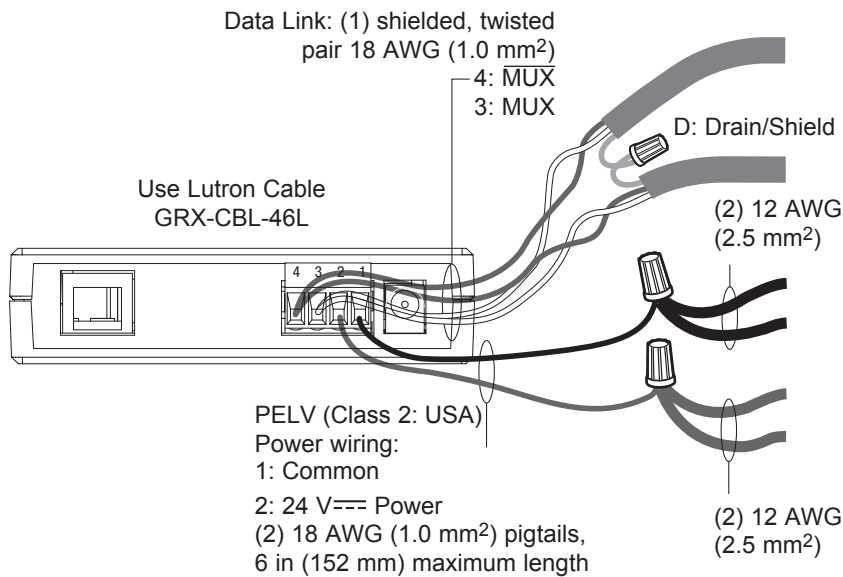
- Daisy-chain the OMX-CI-RS232 Interface to the IEC PELV/NEC® Class 2 Wallstation Link that connects to the Processor Panel.
- Make daisy-chain connections to the IEC PELV/NEC® Class 2 Data Link terminals on the front of OMX-CI-RS232 Interface.
- Do not use T-taps. Run all wires in and out of terminal block.
- Each terminal accepts up to two 18 AWG (1.0 mm²) wires.
- LED 1 lights when the IEC PELV/NEC® Class 2 Data link is installed correctly.
- Consult Processor Panel Specification Submittal for more details.



Job Name:	Model Numbers:
Job Number:	

IEC PELV/NEC® Class 2 Terminal Connections

- Two 12 AWG (2.5 mm²) conductors for common (terminal 1) and 24 V_{DC} (terminal 2). These will not fit in terminals. Connect as shown.
- One shielded, twisted pair 18 AWG (1.0 mm²) for data link (terminals 3 and 4).
- Connect Drain/Shield as shown. Do not connect to Ground (Earth) or Wallstation/Control Interfaces. Connect the bare drain wires and cut off the outside shield.



Note: Do not connect Drain/Shield to Ground (Earth) or Wallstation/Control Interfaces. Connect the bare drain wires and cut off the outside shield.

Note: 12 AWG (2.5 mm²) conductors for Common (terminal 1) and 24 V_{DC} Power (terminal 2) will not fit in terminals; use 18 AWG (1.0 mm²) pigtails (< 6 in/152 mm).

Job Name:	Model Numbers:
Job Number:	