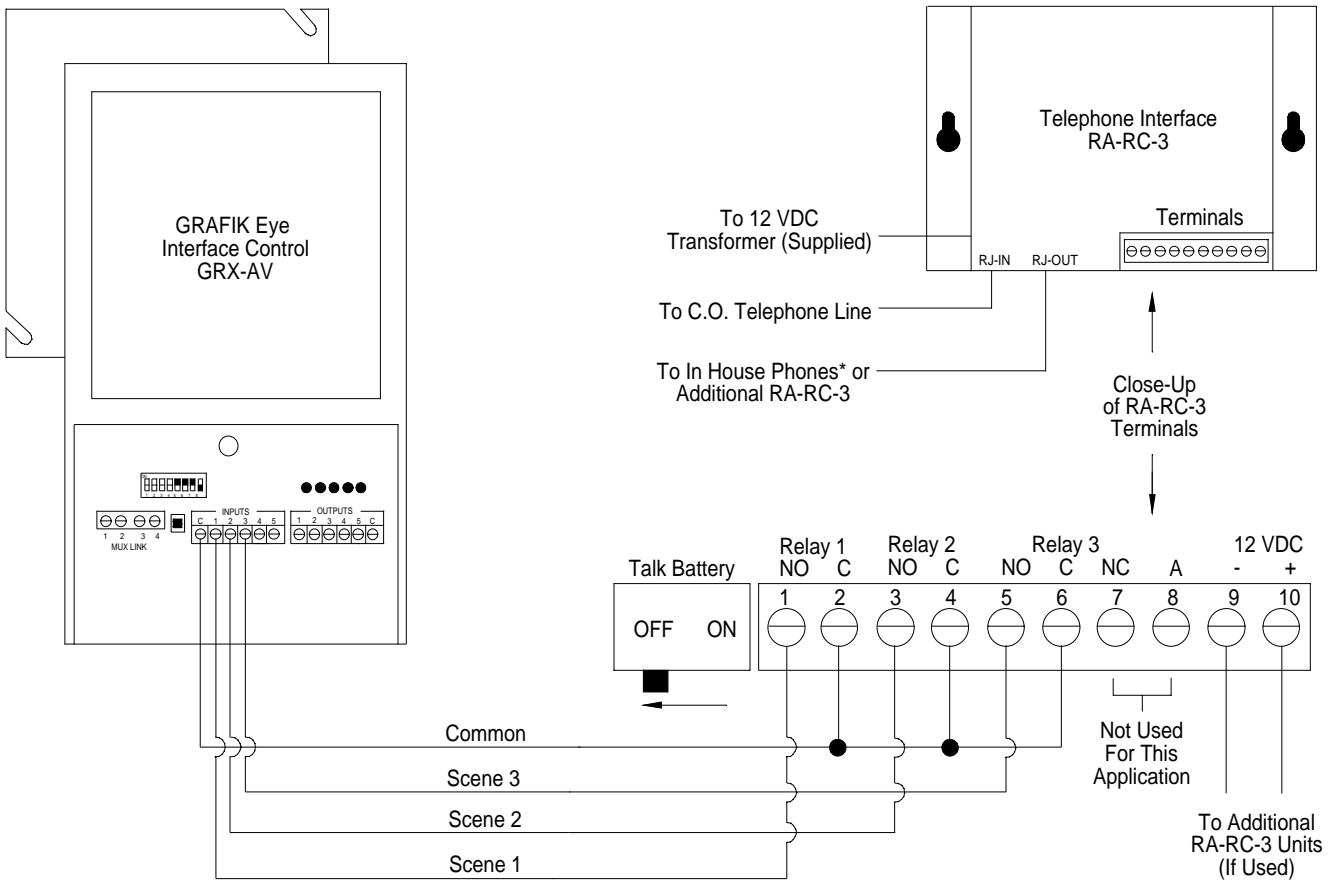


Overview

The GRAFIK Eye System can be controlled from any location worldwide by using the RadioRA Telephone Interface (RA-RC-3). The Telephone Interface allows for activation of scenes programmed to a GRAFIK Eye Interface Control (GRX-AV) via telephone. By connecting the three (expandable to nine) outputs from the Telephone Interface to the inputs of the GRX-AV, pressing buttons on any telephone will select lighting scenes.

Wiring

The following wiring diagram illustrates how to wire three outputs from the RadioRA Telephone Interface (RA-RC-3) to the inputs of a GRAFIK Eye Interface Control (GRX-AV). The RA-RC-3 and GRX-AV can then be programmed as described in the following section (Programming the RA-RC-3 Outputs) to activate the desired scenes. For this application, the GRX-AV inputs must be set up for MOMENTARY operation. A dedicated phone line is not required, but is recommended.



Programming the RA-RC-3 Outputs

		PRESS	RESPONSE
1 Prepare for programming	Disconnect the phone line from the RJ-IN jack and move the Talk Battery switch to the ON position. Pick up the receiver on an in house phone connected to the RJ-OUT jack.		
2 Enter the programming mode	Press * plus the programming access code (default is 845464 and can be changed).	*845464	2 BEEPS ¹
3 Select the desired number of rings before the RA-RC-3 will pick up.	Enter the number of rings, within the range of 01-31 (default is 02 rings) plus #21. If an answering machine is on the same line, set the RA-RC-3 to a greater number of rings than the answering machine.	XX #21	2 BEEPS ²
4 Select the desired operating access code.	Enter your desired 6 digit access code plus #23 (default access code is 123456).	six digits #23	2 BEEPS ²
5 Exit Programming mode.	Hang up the phone. Move the Talk Battery switch to the OFF position and reconnect the phone line to the RJ-IN jack.		

¹ 4 BEEPS indicates the incorrect programming access code was entered. Hang up and retry.

² 3 BEEPS indicates an invalid entry or error.

The RA-RC-3 will provide 4 BEEPS and hang up if 20 seconds elapse without an entry. Repeat steps 1 and 2 to continue programming.

Setting up the GRX-AV

The GRX-AV will need to be set up as a 4S Scene Selection Control. This will allow the selection of up to 3 scenes through the use of a telephone. (NOTE: The 4S function allows 4 scene selections however, the RA-RC-3 only provides 3 outputs allowing for only 3 scenes.) The DIP Switches on the GRX-AV will need to be set for the desired function. The first four DIP Switches are used to address the unit. Refer to the GRX-AV Interface Control Installation and Operating Instructions for setting up the address. DIP Switches 5 through 8 are used to set the function. These functions could be to Select Scenes 1-3, 5-7, 9-11, or 13-15. For all of these functions, DIP Switch 7 needs to be ON (in the UP position) and DIP Switch 8 needs to be OFF (in the DOWN position). The following chart shows the necessary positions of DIP Switches 5 and 6 to select the desired 3 scenes:

DIP Switch		Scenes
5	6	
ON	ON	1-3
OFF	ON	5-7
ON	OFF	9-11
OFF	OFF	13-15

Operating the RA-Rc-3

		PRESS	RESPONSE
1	Call the line the RA-RC-3 is connected to.	The RA-RC-3 will answer after the set number of rings. NOTE: Lutron does not recommend operating the RA-RC-3 from in house phones. Entering * followed by certain digits on in house phones may change phone service functions (i.e., disable call waiting).	2 BEEPS
2	Enter the operating access code.	This code was set in step 4 of Programming.	* plus six digits 2 BEEPS
3	Activate a scene. (Allow 5 seconds between activating any two scenes.)	Enter any scene number (1,2, Or 3) and then 2. Pressing 12 turns Scene 1 ON. Pressing 22 turns Scene 2 ON. Pressing 32 turns either Scene 1 or Scene 2 OFF.	12 or 22 or 32 2 BEEPS ²
4	Hang up the phone.		

² 3 BEEPS indicates an invalid entry or error.

The RA-RC-3 will provide 4 BEEPS and hang up if 20 seconds elapse without an entry. Repeat steps 1 and 2 to continue operating.

Additional Information

World Headquarters

Lutron Electronics Co., Inc.
7200 Suter Road
Coopersburg, PA 18036-1299 U.S.A.
TOLL FREE: (800) 523-9466 (U.S.A., Canada, and the Caribbean)
Tel: (610) 282-3800; International 1610 282-3800
Fax: (610) 282-3090; International 1610 282-3090

European Headquarters

Lutron EA LTD
Lutron House
6 Sovereign Close
Wapping
London, E1 9HW England
FREEPHONE: 0800 282107 (U.K.)
Tel: (0171) 702-0657; International 44-171-702-0657
Fax: (0171) 480-6899; International 44-171-480-6899

Hong Kong Office

Tel: 2593-1119; International 852-2593-1119
Fax: 2593-1197; International 852-2593-1197

Singapore Office

Tel: 487-2820; International 65-487-2820
Fax: 487-2825; International 65-487-2825

Japan Office

Lutron Asuka Corporation K.K.
Kowa Shibakoen Bldg. 2nd Floor
1-1-11 Shibakoen
Minato-ku, Tokyo 105-0011, Japan
TOLL FREE: (0120) 083417 (Japan)
Tel: International 81 3 5405 7333
Fax: International 81 3 5405 7496

Worldwide Technical and Sales Assistance

If you need technical assistance, call the toll-free **Lutron Technical Assistance Hotline**. Please provide exact model number when calling. (800) 523-9466 (U.S.A., Canada and the Caribbean)
Other countries call:
Tel: (610) 282-3800; International: 1 610 282-3800
Fax: (610) 282-3090; International: 1 610 282-1243
Our address on the Web is www.lutron.com

Lutron and GRAFIK Eye are registered trademarks of Lutron Electronics Co., Inc.