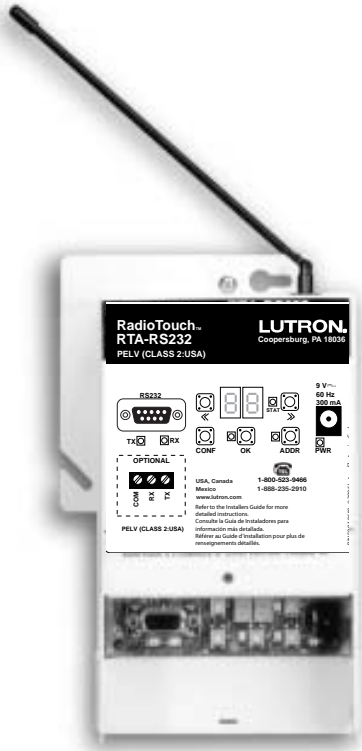


RadioTouch™ RF RS232 Interface



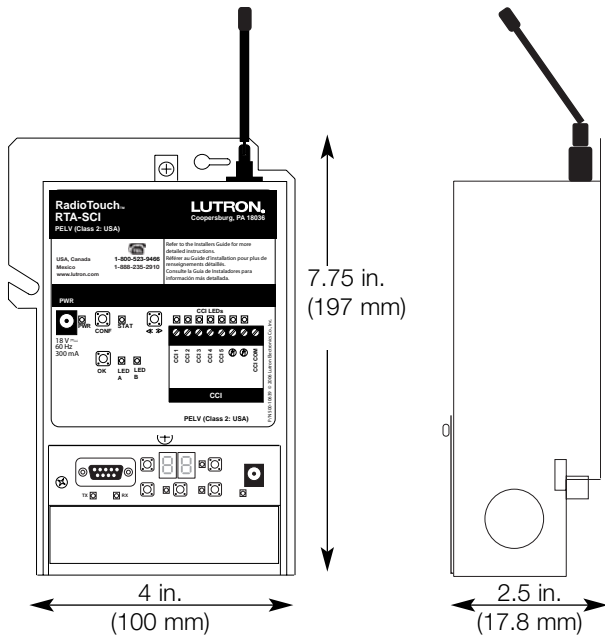
Description

The *RadioTouch* RS232 interface provides an interface between *RadioTouch* RF controllers and RS232 compatible equipment, such as touch screens. The *RadioTouch* RS232 interface can control up to 10 zones. Each zone can be configured as lights, Sivoia QED™ controllable window shades, or contact closure outputs. The RS232 interface also can provide feedback to the host device that the RF commands have been sent.

The interface can be mounted to a standard 4 x 4 in. (120 x 120 mm) junction box or flush-mounted on the wall, and operates from an included 9 V~ 300 mA wall plug transformer.

<p>Job Name:</p>	<p>Model Numbers:</p>
<p>Job Number:</p>	

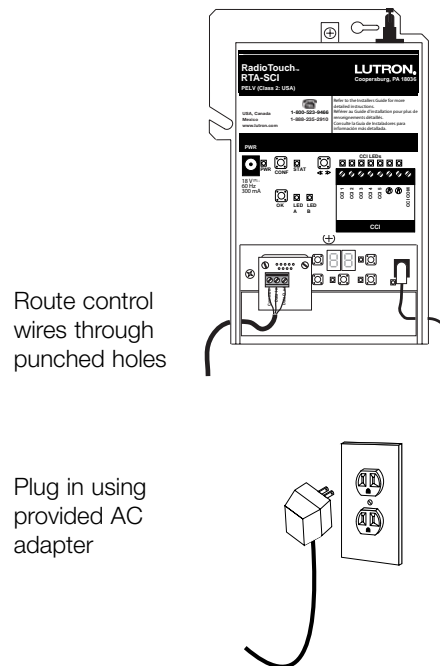
Dimensions



Features

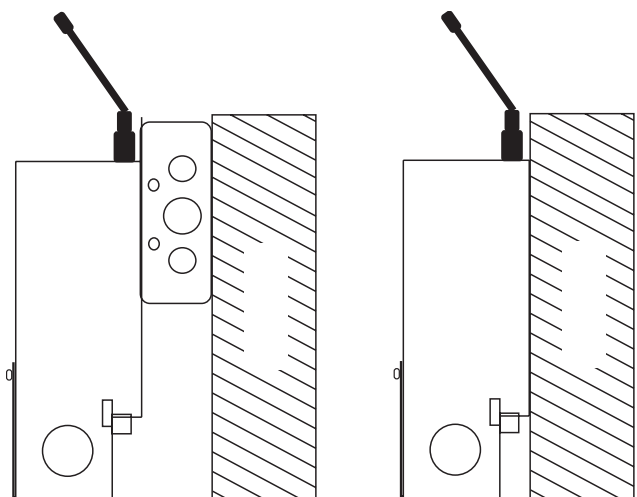
- Allows wireless control of lighting, *Sivoia* QED controllable window shades, and contact closure outputs from RS232 compatible devices.
- Controls up to 10 zones of lights, *Sivoia* QED controllable window shades, or contact closure outputs.
- Each zone is independently configured to be lights, *Sivoia* QED controllable window shades, or contact closure outputs.
- Zones are configured directly on the Interface, or at the host device through the data link.
- Connects to data link through either a DB-9 plug or terminal blocks.
- RS232 link has a maximum length of 50 ft. (15 m). RS232 link can be extended up to 4000 feet (1219 m) with commercially available data link extenders.
- Operates from 9 V \sim 300 mA wall pluggable transformer, included.
- Can provide feedback to the host device that the RF commands have been sent.
- Operates with no flow control, 3-wire software flow control, or full 7-wire hardware handshaking.

Installation



Mounting

Using two screws, mount the SCI to a 4 x 4 in. (120 x 120 mm) junction box or directly to a wall (screws and wall anchors are provided) as shown.



<p>Job Name:</p>	<p>Model Numbers:</p>
<p>Job Number:</p>	