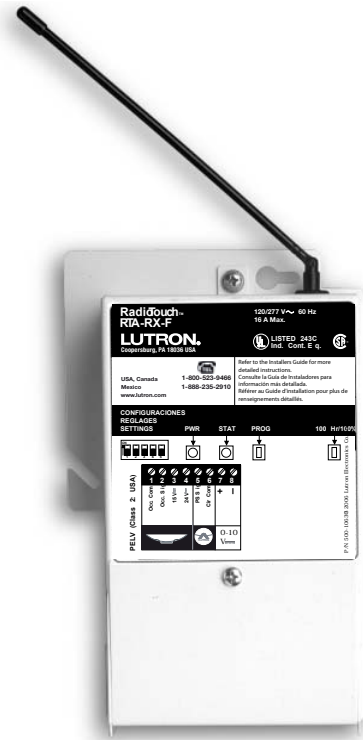


RadioTouch® Controller for Dimmable Lights

Description

The *RadioTouch* controller for dimmable lights is designed to work in conjunction with *RadioTouch* transmitters that have been addressed to the controller. The controller can be addressed to respond to signals from up to 16 *RadioTouch* transmitters. The controller has the ability to control Lutron Hi-lume® and ECO-10™ ballasts directly. The controller can be connected to a Lutron FDI interface to dim Lutron Tu-wire™ ballasts, incandescent, magnetic low-voltage, and electronic low-voltage loads.

The controller mounts to a standard 4 x 4 in. (120 x 120 mm) junction box or to the knockout of a fluorescent fixture. The controller can directly accept inputs from standard 15 and 24 V_{AC} occupant sensors as well as Lutron's MW-PS-WH and MW-FPS-WH daylight sensors. The controller operates at either 120/277 V_{AC} or 347 V_{AC}, depending on the model number.



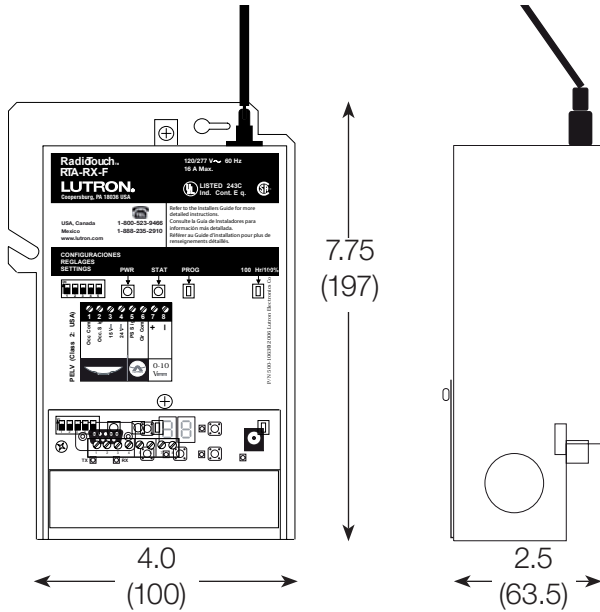
Ratings

Model Number	Voltage	Maximum Current
RTA-RX-F	120 or 277 V _{AC}	16 A (20 A breaker)
RTA-RX-F-347	347 V _{AC}	16 A (20 A breaker)

<p>Job Name:</p> <p>Job Number:</p>	<p>Model Numbers:</p>
--	-----------------------

Dimensions

Dimensions are in inches (mm).

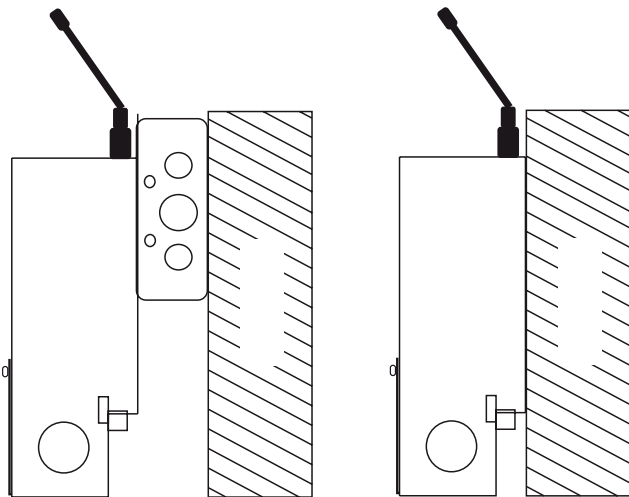


Features

- Provides direct control of a full circuit of Lutron Hi-lume® and ECO-10™ ballasts.
- Capable of switching 16 A of Lutron ballasts.
- Provides control of Lutron Tu-wire™ ballasts, incandescent, magnetic low-voltage, and electronic low-voltage loads using an FDI load interface.
- RTA-RX-F operates at 120 or 277 V~ line voltage.
- RTA-RX-F-347 operates at 347 V~ line voltage.
- Each controller can be programmed to accept control information from 16 unique *RadioTouch* transmitters.
- Accepts inputs from standard 15 and 24 VDC occupant sensors and provides power to them (not to exceed 30 mA).
- One required per lighting zone to be controlled.
- Accepts an input from a Lutron MW-PS-WH or MW-FPS-WH daylight sensor to regulate the electric light based on the presence or absence of sunlight and provides power to the sensor (not to exceed 30 mA).
- Accepts control signals from *RadioTouch* transmitters at 418 MHz.
- Provides a burn-in function to assist in the seasoning of new fluorescent bulbs for 100 hours.
- Mounts to a standard 4 x 4 inch (120 x 120 mm) junction box or to the knockout of a fluorescent fixture.

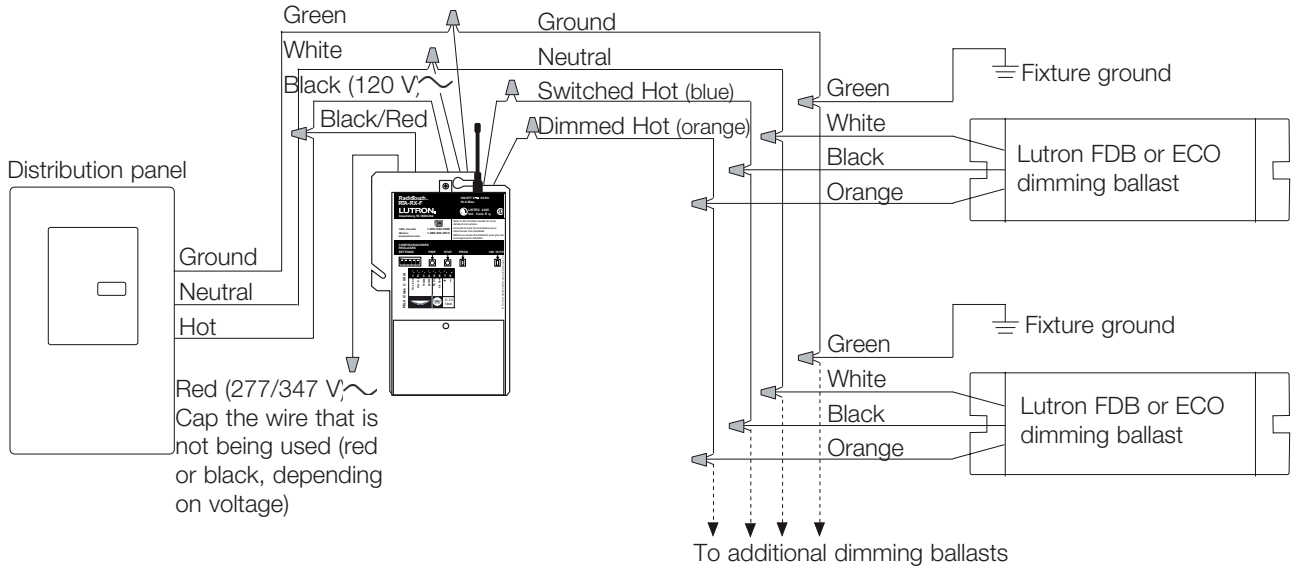
Mounting

Using two screws, mount the unit to a 4 x 4 inch (120 x 120 mm) junction box or directly to a wall (screws and wall anchors are provided) as shown.



<p>Job Name:</p> <p>Job Number:</p>	<p>Model Numbers:</p>
--	-----------------------

Power Wiring Diagram



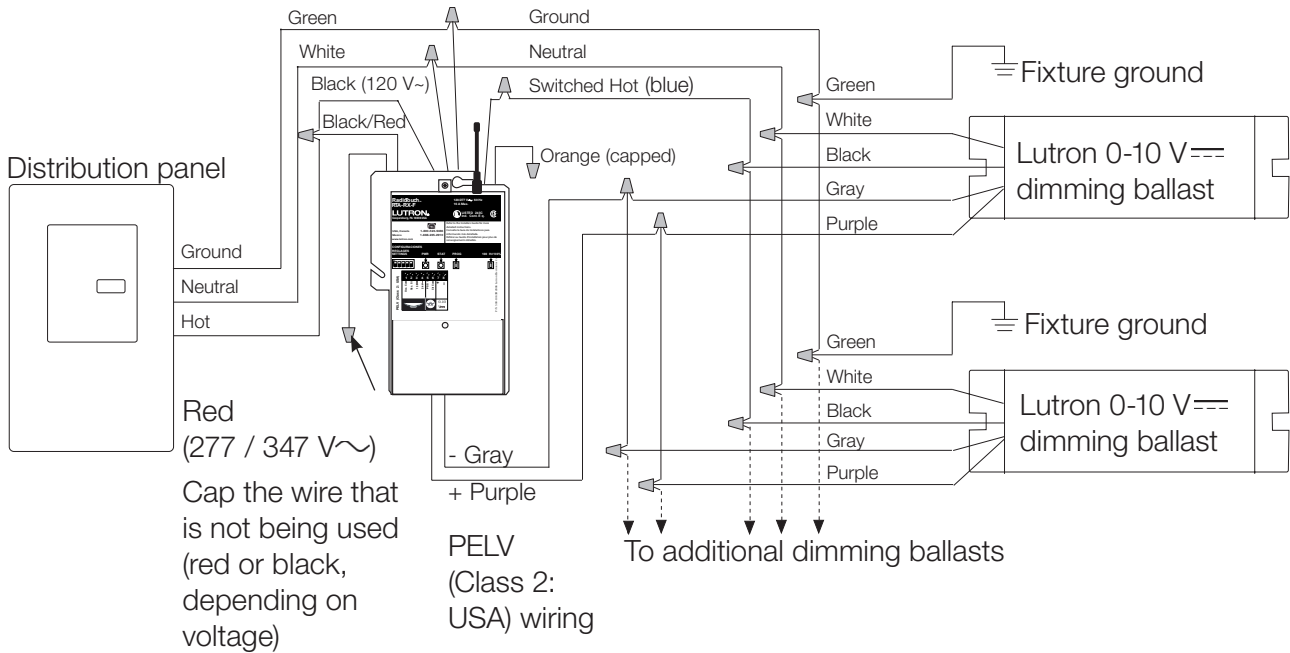
Job Name:	Model Numbers:
Job Number:	

Dimmable Zone Controllers

Lutron 0-10 Volt Ballast and Control Wiring

Note: Lamp wires not shown, but must be in place and correct for proper operation.

Do not connect more than 40 ballasts to a single controller.



Job Name:	Model Numbers:
Job Number:	

Wiring Multiple Dimming Zones

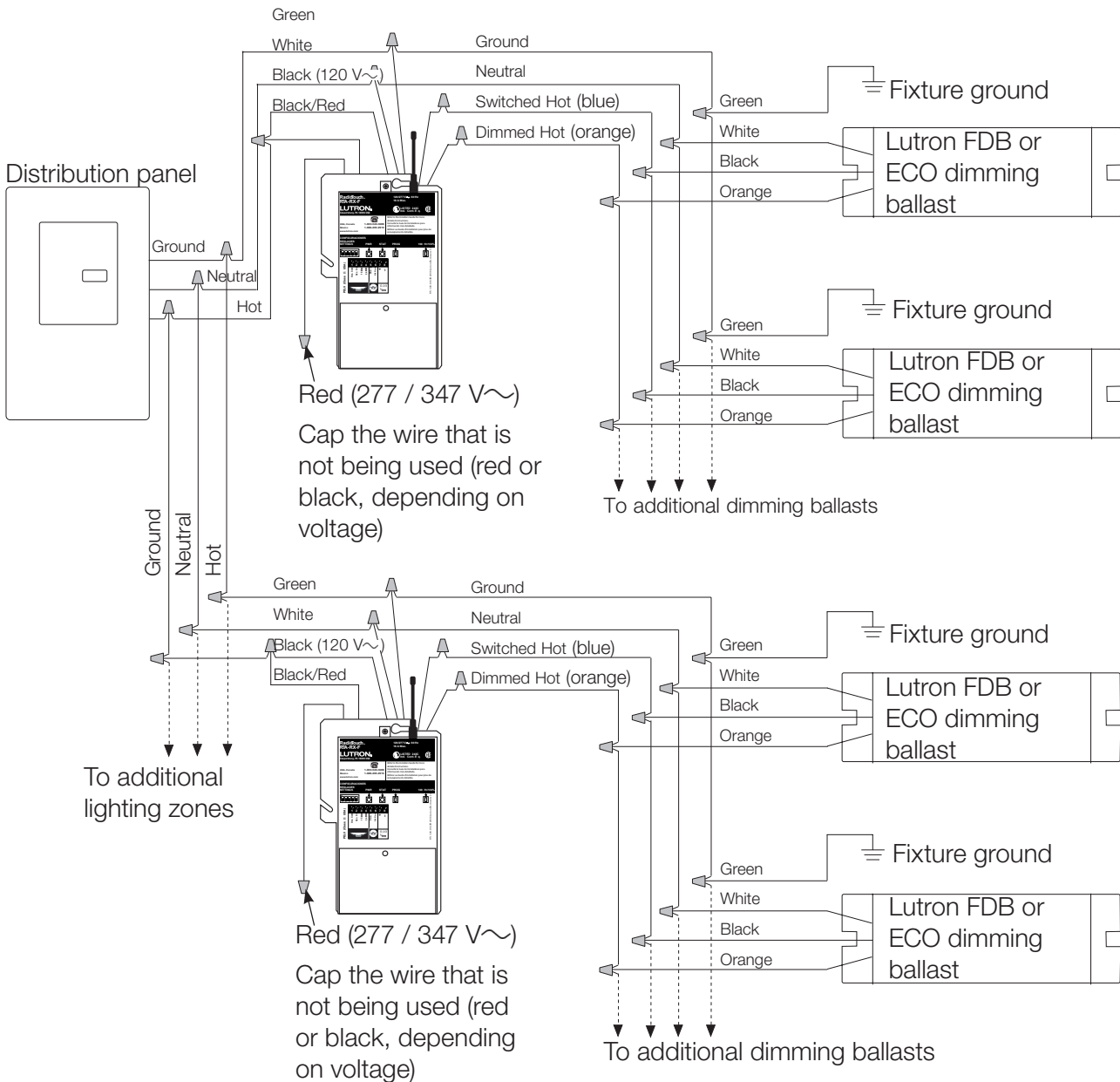


Danger! Locate and lock the supply breaker in the Off position, or remove the supply fuse before continuing.



Warning! Total load cannot exceed the breaker limit of the distribution panel.

Hi-Lume® FDB or Eco-10™ Ballast and Control Wiring (Multiple Lighting Zones)



Job Name:	Model Numbers:
Job Number:	

Wiring the Controller with an Interface

Turn Power Off.

When using load interfaces, it may be necessary to adjust the preset light levels prior to use. (See Adjust Preset Levels on page 36 after completing wiring.)

Remove the bypass wiring connections previously made.

Connect the input feed wires and the output load wires as indicated by the wiring diagrams below.

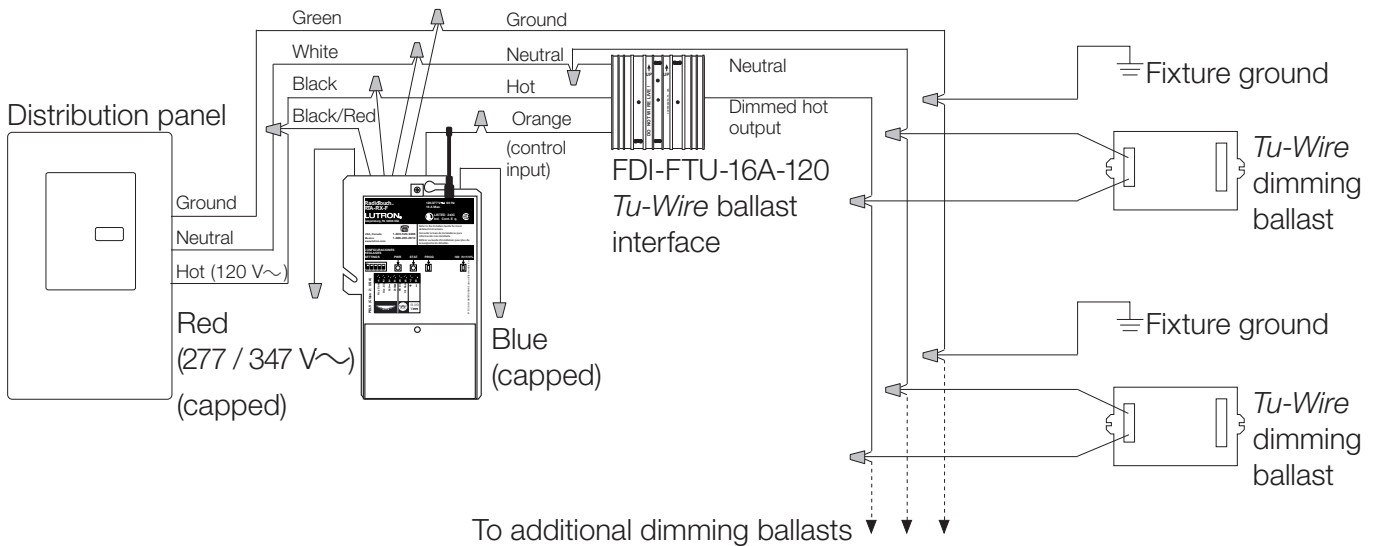


Danger! Locate and lock the supply breaker in the Off position, or remove the supply fuse before continuing.

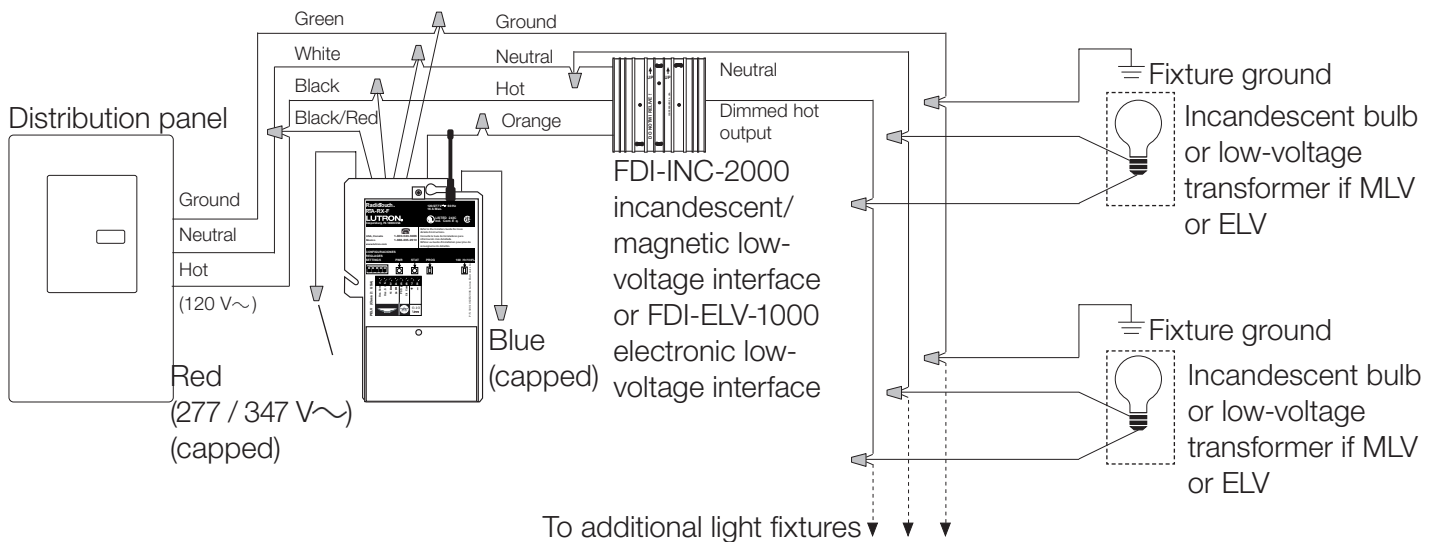


Caution! The FDI-FTU-16A-120, FDI-ELV-1000, and FDI-INC-2000 operate on 120 V~ only.

Ballast and Control Wiring Using the Tu-Wire® Interface (FDI-FTU-16A-120)



Ballast and Control Wiring Using the Incandescent/Magnetic Low-Voltage Interface (FDI-INC-2000) or Electronic Low-Voltage Interface (FDI-ELV-1000)



Job Name:	Model Numbers:
Job Number:	