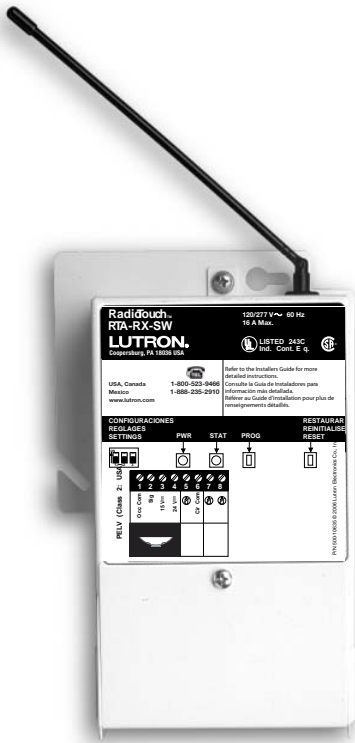


RadioTouch™ RF Switchpack Controller

RTA-RX-SW RTA-RX-SW-347



Description

The *RadioTouch* switchpack controller is designed to work in conjunction with *RadioTouch* transmitters that have been addressed to the controller. The controller can be addressed to respond to signals from up to 16 *RadioTouch* transmitters. The controller can switch 16 amps of high inrush lighting loads, including magnetic fluorescent ballasts, electronic fluorescent ballasts, incandescent, magnetic low-voltage, electronic low-voltage, and HID loads.

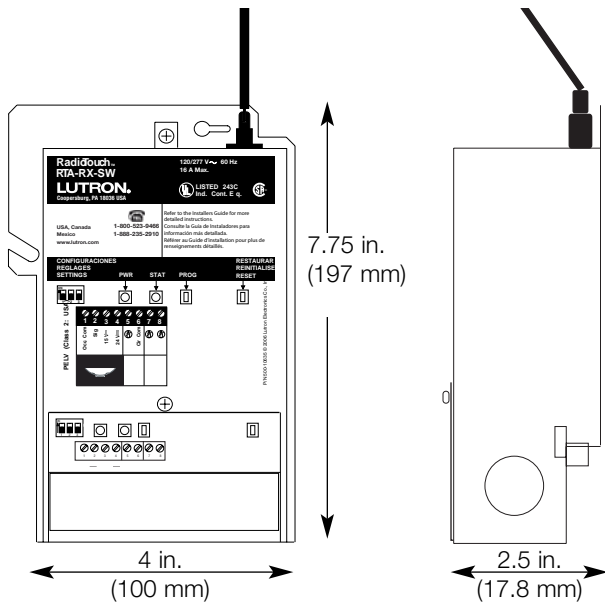
The controller mounts to a standard 4 x 4 in. (120 x 120 mm) junction box or to the knockout of a fluorescent fixture. The controller can directly accept inputs from standard 15 and 24 V \sim occupant sensors. The controller operates at either 120/277 V \sim or 347 V \sim , depending on the model number.

Ratings

Model Number	Voltage	Maximum Current
RTA-RX-SW	120 or 277 V \sim	16 A (20 A breaker)
RTA-RX-SW-347	347 V \sim	16 A (20 A breaker)

Job Name:	Model Numbers:
Job Number:	

Dimensions

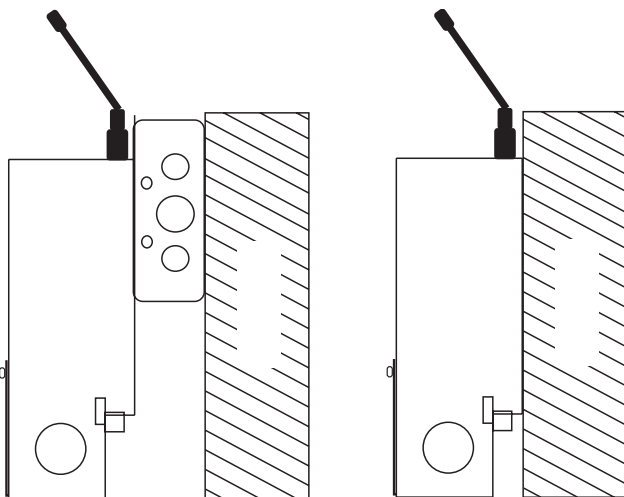


Features

- Capable of switching 16 amps of high inrush lighting load (magnetic fluorescent ballasts, incandescent, magnetic low-voltage, electronic low-voltage, and HID loads).
- RTA-RX-SW operates at 120 or 277 V \sim line voltage.
- RTA-RX-SW-347 operates at 347 V \sim line voltage.
- Each controller can be programmed to accept control information from 16 unique *RadioTouch* transmitters.
- Accepts inputs from standard 15 and 24 V \sim occupant sensors and provides power to them (not to exceed 30 mA).
- One required per lighting zone to be controlled.
- Accepts control signals from *RadioTouch* transmitters at 418 MHz.
- Provides a burn-in function to assist in the seasoning of new fluorescent bulbs for 100 hours.
- Mounts to a standard 4 x 4 in. (120 x 120 mm) junction box or to the knockout of a fluorescent fixture.

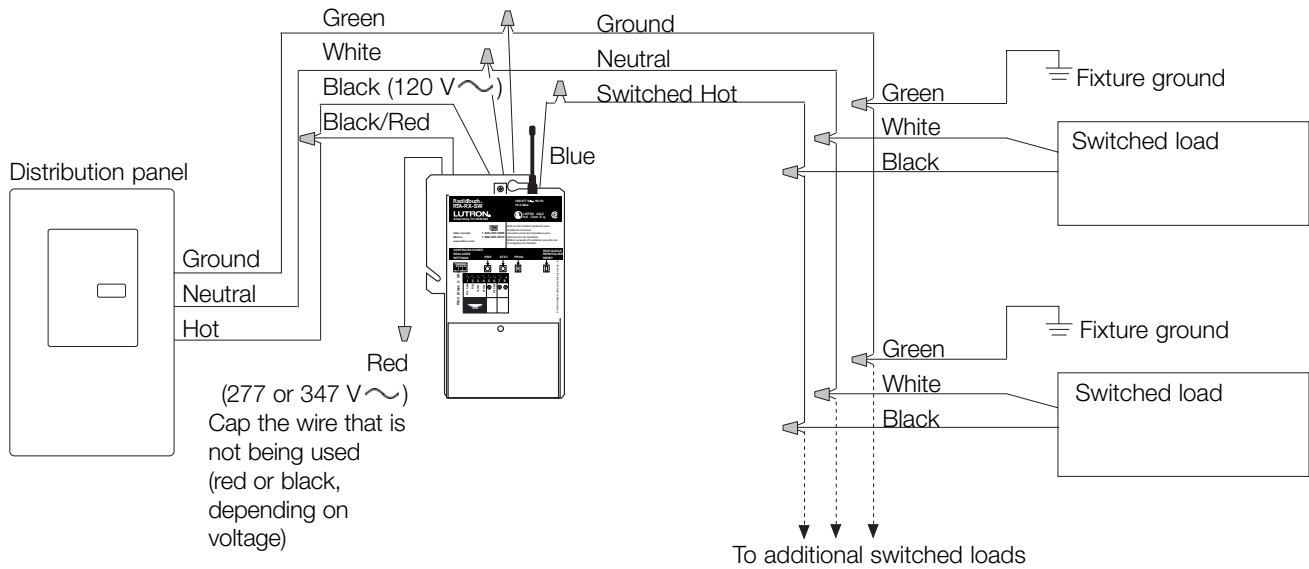
Mounting

Using two screws, mount the unit to a 4 x 4 in. (120 x 120 mm) junction box or directly to a wall (screws and wall anchors are provided) as shown.



<p>Job Name:</p>	<p>Model Numbers:</p>
<p>Job Number:</p>	

Power Wiring Diagram



Job Name:	Model Numbers:
Job Number:	