

RadioTouch™ Switch Closure Interface



Description

The *RadioTouch* switch closure interface (SCI) provides an interface between *RadioTouch* controllers, timeclocks, and building management systems (BMS). The *RadioTouch* SCI can communicate with an unlimited number of *RadioTouch* controllers that are within 35 feet of the SCI. All controllers to which the SCI is addressed will respond together to commands from the SCI. The SCI can accept up to five (5) momentary dry contact closures from a timeclock or BMS to activate four (4) preset light levels and off. Optionally, the SCI may be configured to activate Sivoia QED™ controllable window treatments or AC motorized window treatments.

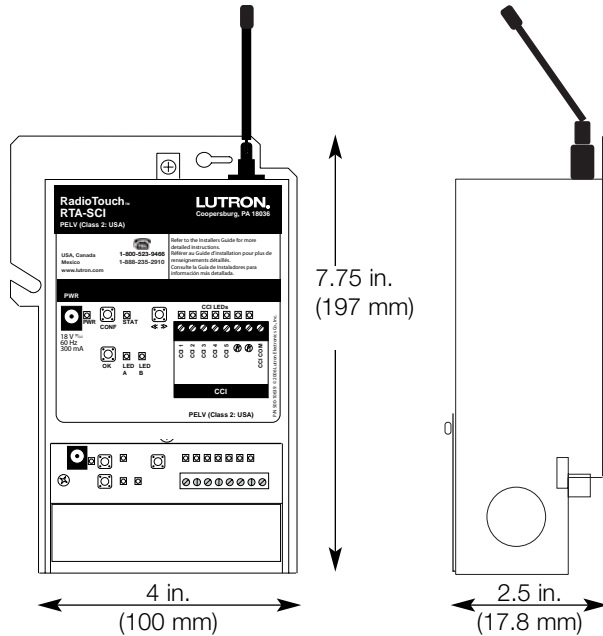
If an application requires the use of multiple switch closure interfaces to perform actions affecting a large space, each SCI in the space may be configured to issue commands sequentially to ensure the reliability of the system.

The interface can be mounted to a standard 4 x 4 in. (120 x 120 mm) junction box or flush-mounted on the wall, and operates from a 18 V_~ wall plug transformer (included).

The SCI should not be used for emergency or egress lighting applications.

Job Name: Job Number:	Model Numbers:
--	-----------------------

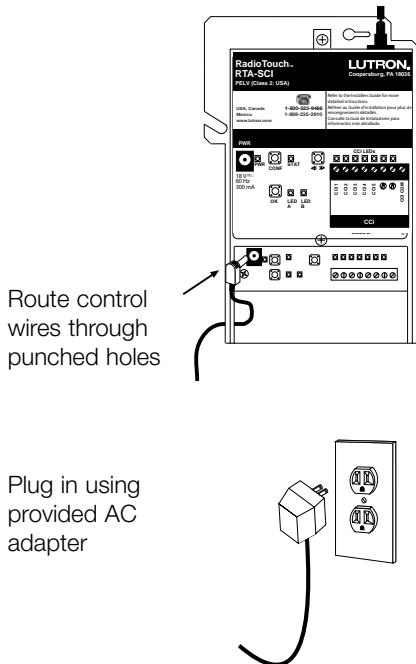
Dimensions



Features

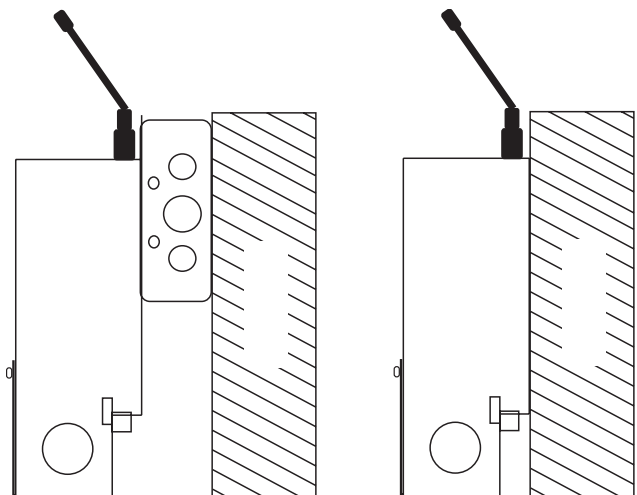
- Allows wireless control of lighting from timeclocks and BMS.
- Can be addressed to control any *RadioTouch* controller (RTA-RX-F, RTA-RX-F-SC, RTA-RX-F-SC-ACM, RTA-RX-SW).
- Accepts up to five momentary dry contact closures.
- Can be configured to control lights, *Sivoia* QED controllable window treatments, and AC motorized window treatments.
- Operates from 18 V \sim wall outlet transformer (included).
- Provides access to the following:
 - Lights: Four (user-adjustable) preset light levels and off
 - *Sivoia* QED: All up, all down, and one (user-adjustable) preset
 - AC motorized window treatments: Open, stop, and close
- Allows multiple RTA-SCI devices to be used (maximum 64) in building sweep applications.
- Should not be used for emergency or egress lighting applications.

Installation



Mounting

Using two screws, mount the SCI to a 4 x 4 in. (120 x 120 mm) junction box or directly to a wall (screws and wall anchors are provided) as shown.



<p>Job Name:</p>	<p>Model Numbers:</p>
<p>Job Number:</p>	