

# RadioTouch Preset Style Wallbox Transmitter



## DESCRIPTION

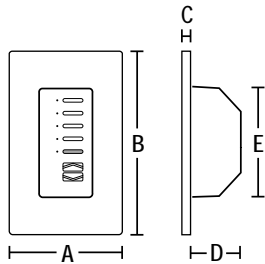
The Preset Style Wallbox Transmitter is designed to work in conjunction with RadioTouch lighting Controllers. The Preset Transmitter provides on/off and raise/lower functionality plus access to four preset light levels. The Preset Style Transmitter does not require that any wires be connected from the Preset Transmitter to the RadioTouch Controllers. The Preset Transmitter can be used to control a single RadioTouch lighting zone or as a master keypad to control multiple lighting zones together.

The Preset Style Transmitter can also be used for multi-location dimming applications. Each Preset Style Transmitter has a unique address and can be assigned to any RadioTouch Controllers in the room that are within 35 feet of the Transmitter's location. The Preset Transmitter can be easily configured for multi-gang installations without any need to de-rate the power capacity of the lighting zone being controlled.

<p><b>JOB NAME:</b></p>  <p><b>JOB NUMBER:</b></p>	<p><b>MODEL NUMBERS:</b></p>
--	------------------------------

**Product Dimensions:**

- A: 2.93" (74.4mm)
- B: 4.69" (119.1mm)
- C: 0.30" (7.5mm)
- D: 1.37" (34.8mm)
- E: 2.75" (70.0mm)



**Features:**

- Provides on/off, raise/lower functionality and access to four preset light levels.
- Operates at 120 or 277V line voltage.
- Each Transmitter is uniquely addressed from the factory.
- Each Transmitter can have its address added to any Controller mounted within 35 feet of the Preset Style Transmitter.
- Provides multi-location dimming by simply adding more Transmitters into the room.
- Allows for master control of multiple lighting zones by adding its address to multiple RadioTouch Controllers.
- Communicates with RadioTouch Controllers via radio frequency at 418 mhz.
- Does not require any wires to the RadioTouch Controllers that are being controlled.
- Allows for multi-gangging of Transmitters without any de-rating of the lighting circuit.

**Model:**

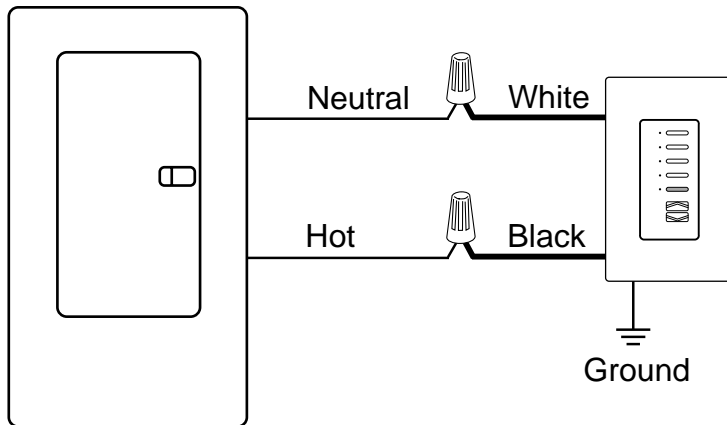
RTA-WX-5B-WH

**Colors:**

White (WH)

**Power Wiring Diagram**

**Distribution Panel**



<p><b>JOB NAME:</b></p> <p><b>JOB NUMBER:</b></p>	<p><b>MODEL NUMBERS:</b></p>
--	------------------------------