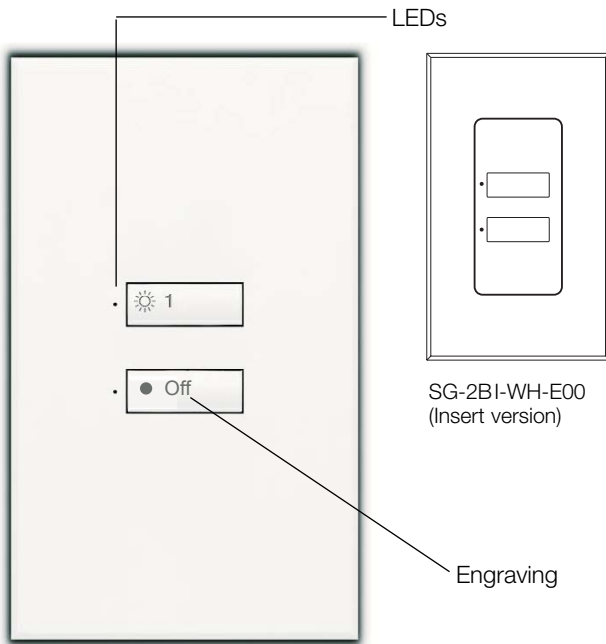


Color and Engraving Codes

SG-2BN-__ - __
2-Button Wallstation



SG-2BN-WH-EGN

Description

- Often used in entryways to turn lights on and off.
- Large, rounded buttons are easy to use.
- Backlit buttons with optional engraving make it easy to find and operate the control in low light conditions.
- Optional button engraving is angled up to the eye for easy reading.
- Functionality can be selected in the field.
- Status LEDs indicate which button was pushed last.
- Works with GRAFIK Eye 3000 and 4000 Series Control Units.
- Invokes functions in just one Control Unit or group of up to eight Control Units.

Finish and Engraving Options

- Available with button engraving.
- Three engraving options are available: General Engraving, Standard Engraving, & Non-Standard Text Engraving. For more details, refer to the seeTouch Ordering Guide (P/N 367-274) or visit the website at www.lutron.com/seeTouch.

Field Selected Functionality

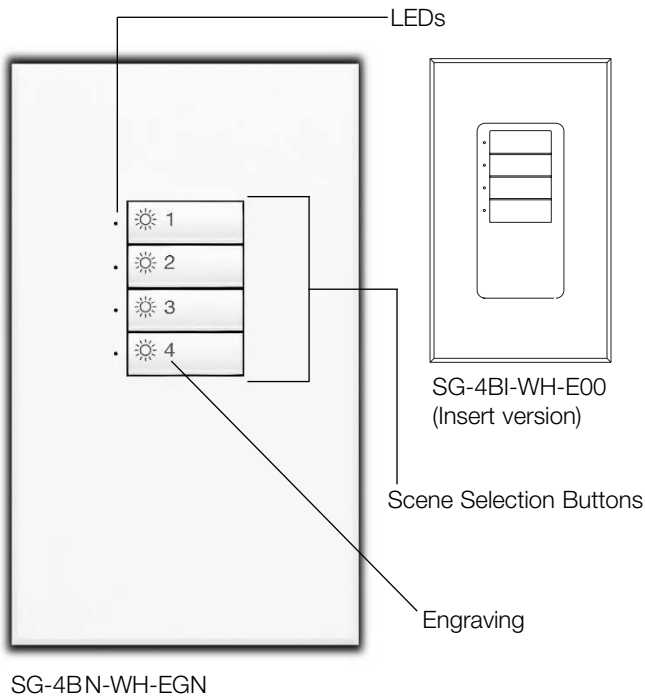
	DIP Switch Settings 5 6 7	Top button:	Bottom button:
Entrance Wallstation		Selects scene 1.	Turns lights off.
Scene Selection		Selects scene 9.	Selects scene 10.
		Selects scene 13.	Selects scene 14.
Panic Wallstation		Selects scene 16 (all lighting full on). Locks all other system controls.	Restores previous scene. Disables lockout.
Fine Tuning		Temporarily brightens selected zone(s).	Temporarily dims selected zone(s).
Single-Partition Status Wallstation		Control Units act in combination; movable wall open to make one large space.	Control Units act independently; movable wall closed to make two spaces.
Zone Lockout		Allows only temporary zone adjustment. Preset scene settings are not affected.	Disables zone lockout.
Sequencing		Loops continuously through scenes 5 to 16 using fade times entered at Control Units.	Turns sequencing off.

DIP Switches 8-10 are set at the factory. Do not change switch 8 or 9. Switch 10 controls the button backlight. Refer to product installation guide for more details.

Job Name:	Model Numbers:
Job Number:	

Color and Engraving Codes

SG-4BN-__-__
4-Button Wallstation



Description

- Used to select and adjust scenes in GRAFIK Eye Control Units.
- Large, rounded buttons are easy to use.
- Backlit buttons with optional engraving make it easy to find and operate the control in low light conditions.
- Optional button engraving is angled up to the eye for easy reading.
- Scene selection functionality can be selected in the field.
- Status LEDs indicate which scene is selected.
- Works with GRAFIK Eye 3000 and 4000 Series Control Units.
- Selects scenes in just one Control Unit or a group of up to eight Control Units.

Finish and Engraving Options

- Available with button engraving.
- Three engraving options are available: General Engraving, Standard Engraving, & Non-Standard Text Engraving. For more details, please refer to the seeTouch Ordering Guide (P/N 367-274) or visit the website at www.lutron.com/seeTouch.

Field Selected Functionality

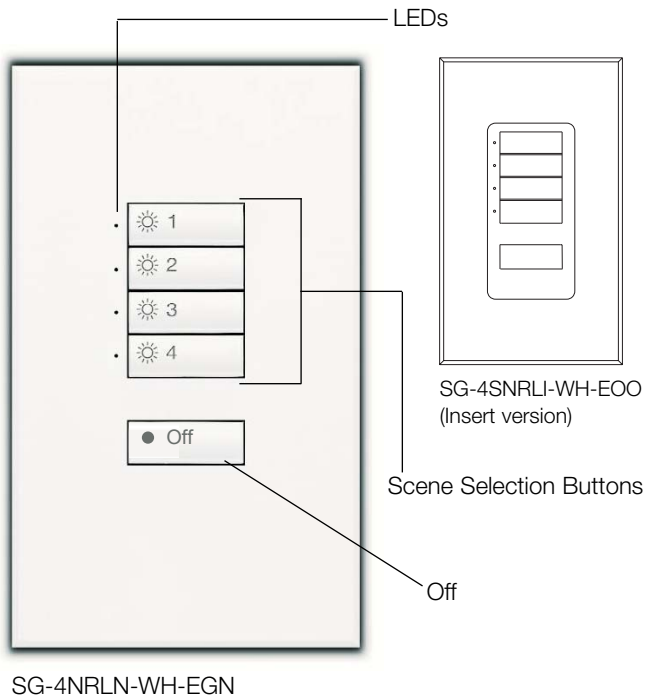
DIP Switch Settings	Scene selection buttons activate:
5 6	
	Scenes 1 to 4
	Scenes 5 to 8
	Scenes 9 to 12
	Scenes 13 to 16

DIP Switches 7-10 are set at the factory. Do not change switch 7, 8, or 9. Switch 10 controls the button backlight. Refer to product installation guide for more details.

Job Name:	Model Numbers:
Job Number:	

Color and Engraving Codes

SG-4NRLN-___-___
4-Scene with Off Wallstation







Description


- Used to select and adjust scenes in GRAFIK Eye Control Units.
- Large, rounded buttons are easy to use.
- Backlit buttons with optional engraving make it easy to find and operate the control in low light conditions.
- Optional button engraving is angled up to the eye for easy reading.
- Scene selection functionality can be selected in the field.
- Status LEDs indicate which scene is selected.
- Off button turns all lights off.
- Works with GRAFIK Eye 3000 and 4000 Series Control Units.
- Selects scenes in just one Control Unit or a group of up to eight Control Units.

Finish and Engraving Options

- Available with button engraving.
- Three engraving options are available: General Engraving, Standard Engraving, & Non-Standard Text Engraving. For more details, please refer to the seeTouch Ordering Guide (P/N 367-274) or visit the website at www.lutron.com/seeTouch.

Field Selected Functionality

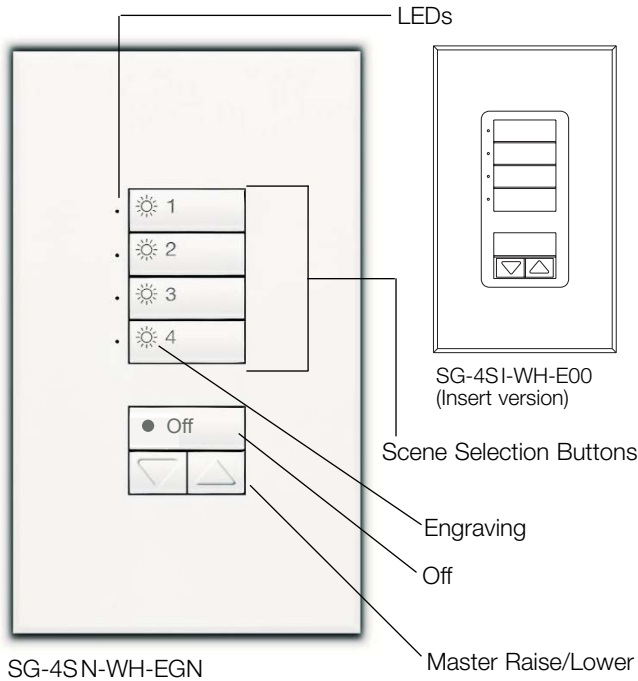
DIP Switch Settings	Scene selection buttons activate:
5 6	
	Scenes 1 to 4
	Scenes 5 to 8
	Scenes 9 to 12
	Scenes 13 to 16

 DIP Switches 7-10 are set at the factory. Do not change switch 7, 8, or 9. Switch 10 controls the button backlight. Refer to product installation guide for more details.

Job Name:	Model Numbers:
Job Number:	

Color and Engraving Codes

SG-4SN-__ - __
4-Scene with Off and Raise/Lower
Wallstation



Description

- Used to select and adjust scenes in GRAFIK Eye Control Units.
- Large, rounded buttons are easy to use.
- Backlit buttons with optional engraving make it easy to find and operate the control in low light conditions.
- Optional button engraving is angled up to the eye for easy reading.
- Scene selection functionality can be selected in the field.
- Status LEDs indicate which scene is selected.
- Off button turns all lights off.
- Master raise/lower brightens or dims all lighting in the selected scene.
- Works with GRAFIK Eye 3000 and 4000 Series Control Units.
- Selects scenes in just one Control Unit or a group of up to eight Control Units.

Finish and Engraving Options

- Available with button engraving.
- Three engraving options are available: General Engraving, Standard Engraving, & Non-Standard Text Engraving. For more details, please refer to the seeTouch Ordering Guide (P/N 367-274) or visit the website at www.lutron.com/seetouch.

Field Selected Functionality

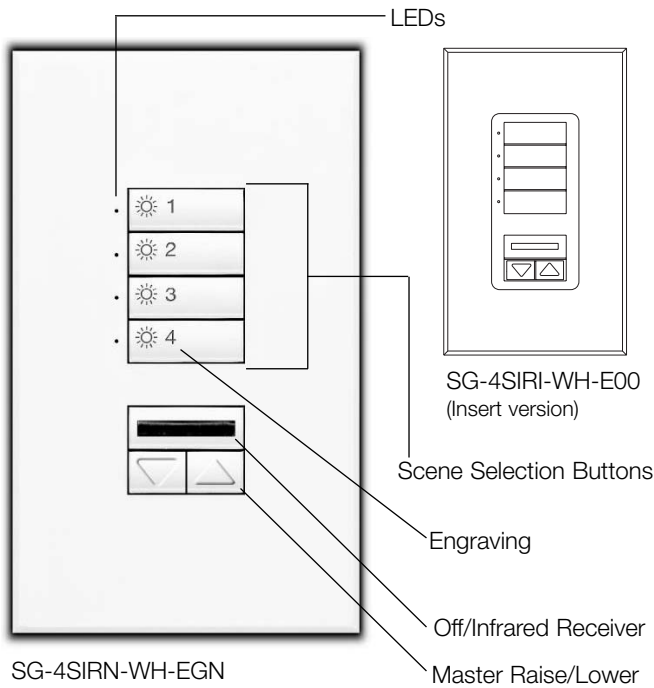
DIP Switch Settings	Scene selection buttons activate:
5 6	
	Scenes 1 to 4
	Scenes 5 to 8
	Scenes 9 to 12
	Scenes 13 to 16

DIP Switches 7-10 are set at the factory. Do not change switch 7, 8, or 9. Switch 10 controls the button backlight. Refer to product installation guide for more details.

Job Name:	Model Numbers:
Job Number:	

Color and Engraving Codes

SG-4SIRN-__-__
4-Scene with Off, Raise/Lower, and IR Receiver Wallstation







Description


- Allows user to select and adjust scenes at the Wallstation or by Wireless Remote Control.
- Large, rounded buttons are easy to use.
- Backlit buttons with optional engraving make it easy to find and operate the control in low light conditions.
- Optional button engraving is angled up to the eye for easy reading.
- Scene selection functionality can be selected in the field.
- Infrared receiver allows infrared transmitters to select scenes and raise/lower all lighting zones.
- Off button turns all lights off.
- Status LEDs indicate which scene is selected.
- Master raise/lower button brightens or dims all lighting in the selected scene.
- Works with GRAFIK Eye 3000 and 4000 Series Control Units.
- Selects scenes in just one Control Unit or a group of up to eight Control Units.

Finish and Engraving Options

- Available with button engraving.
- Three engraving options are available: General Engraving, Standard Engraving, & Non-Standard Text Engraving. For more details, please refer to the seeTouch Ordering Guide (P/N 367-274) or visit the website at www.lutron.com/seetouch.

Field Selected Functionality

DIP Switch Settings	Scene selection buttons and GRX-IT 4-Scene Wireless Remote Control activate:	GRX-8IT 8-Scene Wireless Remote Control activates:
5 6		
	Scenes 1 to 4	Scenes 1 to 8
	Scenes 5 to 8	Scenes 5 to 12
	Scenes 9 to 12	Scenes 9 to 16
	Scenes 13 to 16	Scenes 13 to 16/1 to 4

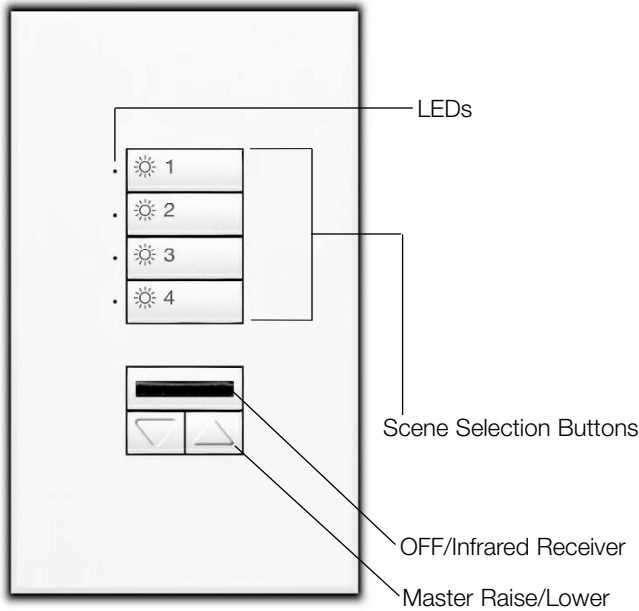
 DIP Switches 7-10 are set at the factory. Do not change switch 7, 8, or 9. Switch 10 controls the button backlight. Refer to product installation guide for more details.

Job Name:	Model Numbers:
Job Number:	

Color and Engraving Codes

SG-PRON-___ - ___ 4-Scene with Off, Raise/Lower, and IR Receiver Programming

Program scene intensities using a PALM PDA.



SG-PRON-WH-EGN

Description

Allows user to perform the following functions in a system of GRX-3500 or GRX-4500 Control Units using a PDA at the wallstation:

- Select scenes 1-16 and off on any Control Unit in the system.
- Raise or lower any zone in the system.
- Save the new zone levels as the current scene.

For more information on the software required, contact Lutron or visit www.lutron.com.

When used without a PALM PDA, the wallstation offers the standard functionality and benefits of the SG-4SIRN wallstation:

- Large, rounded buttons are easy to use.
- Backlit buttons with optional engraving make it easy to find and operate the control in low light conditions.
- Optional button engraving is angled up to the eye for easy reading.
- Scene selection functionality can be selected in the field.
- Infrared receiver allows infrared transmitters to select scenes and raise/lower all lighting zones.
- Off button turns all lights off.
- Status LEDs indicate which scene is selected.
- Master raise/lower button brightens or dims all lighting in the selected scene.

Finish and Engraving Options

- Available with button engraving.
- Three engraving options are available: General Engraving, Standard Engraving, & Non-Standard Text Engraving. For more details, please refer to the seeTouch Ordering Guide (P/N 367-274) or visit the website at www.lutron.com/seetouch.

Field Selected Functionality

DIP Switch Settings	Scene selection buttons and GRX-IT 4-Scene Wireless Remote Control activate:	GRX-8IT 8-Scene Wireless Remote Control activates:
5 6		
	Scenes 1 to 4	Scenes 1 to 8
	Scenes 5 to 8	Scenes 5 to 12
	Scenes 9 to 12	Scenes 9 to 16
	Scenes 13 to 16	Scenes 13 to 16/1 to 4

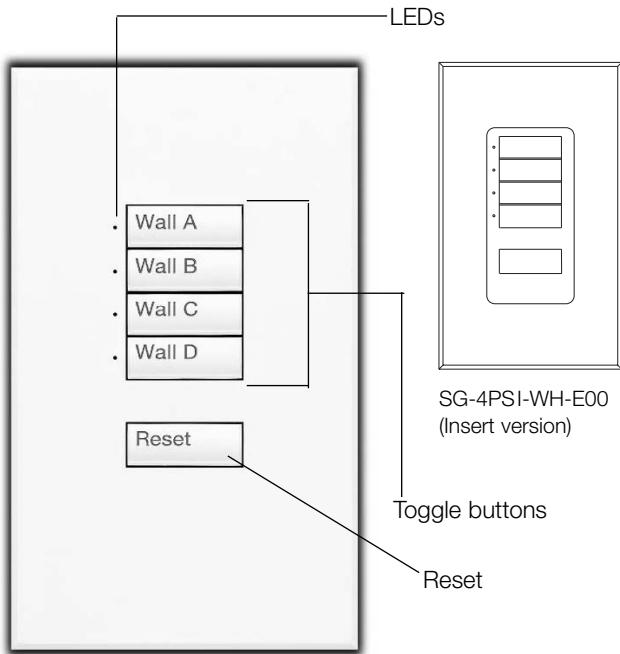


DIP Switches 7-10 are set at the factory. Do not change switch 7, 8, or 9. Switch 10 controls the button backlight. Refer to product installation guide for more details.

Job Name:	Model Numbers:
Job Number:	

Color and Engraving Codes

SG-4PSN-___-___ 4-Partition Status Wallstation



SG-4PSN-WH-E01

Description

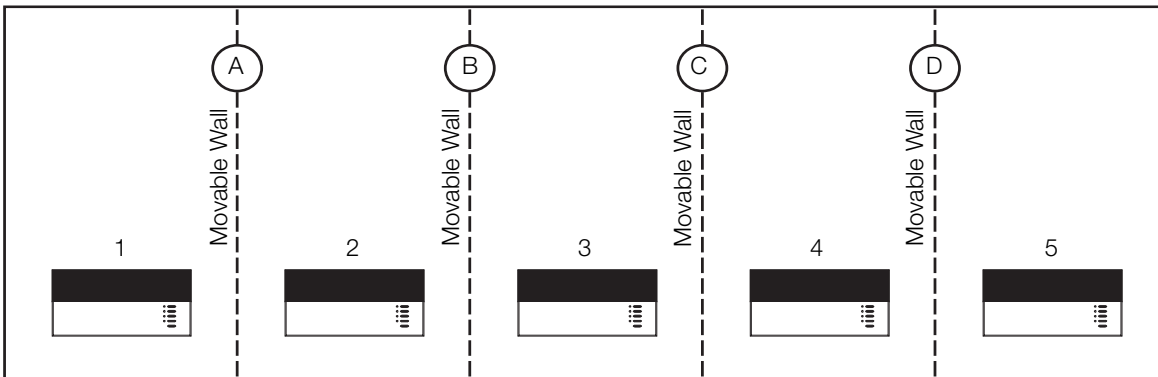
- Coordinates lighting for up to four movable walls (five rooms). Each toggle button is setup to operate the Control Units associated with a movable wall.
- Large, rounded buttons are easy to use.
- Backlit buttons with optional engraving make it easy to find and operate the control in low light conditions.
- Optional button engraving is angled up to the eye for easy reading.
- When the wall is open to make one large space, the user presses the wall's toggle button to make the LED light up. The GRAFIK Eye Control Units assigned to the buttons now work "in combination." Scene changes at one Control Unit occur on all of these Control Units.
- When the wall is closed to make several smaller spaces, the user presses the wall's toggle button to turn off the LED. The Control Units now work independently.
- The bottom button resets all Control Units to independent operation.
- The example shows how to use the Wallstation in a space with four movable walls.

Example

Button:	Wall:	Combine Control Units:
Button 1	Wall A	1 and 2
Button 2	Wall B	2 and 3
Button 3	Wall C	3 and 4
Button 4	Wall D	4 and 5

Finish and Engraving Options

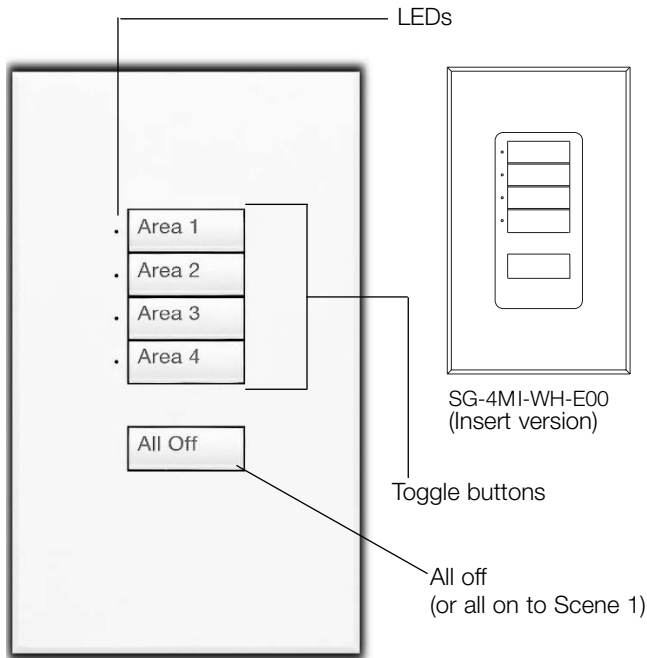
- Available with button engraving.
- Three engraving options are available: General Engraving, Standard Engraving, & Non-Standard Text Engraving. For more details, please refer to the seeTouch Ordering Guide (P/N 367-274) or visit the website at www.lutron.com/seetouch.



Job Name:	Model Numbers:
Job Number:	

Color and Engraving Codes

SG-4MN-___-___
4-Button Master Wallstation



SG-4MN-WH-E01

Description

- Allows user to control several different areas of GRAFIK Eye lighting from one master location.
- Each button can operate a different GRAFIK Eye Control Unit or group of Control Units.
- Large, rounded buttons are easy to use.
- Backlit buttons with optional engraving make it easy to find and operate the control in low light conditions.
- Optional button engraving is angled up to the eye for easy reading.
- Four toggle buttons turn their associated Control Units on (to Scene 1) and off.
- Status LEDs indicate which Control Units are on.
- The bottom button either turns all associated Control Units on (to scene 1) or off, depending on settings of DIP switches 5 and 6.
- In a home, a Master Wallstation might be placed inside the main entry. The first button would turn on foyer lights, the second button would light a path to the kitchen, etc.
- The Master Wallstation works with a total of eight GRAFIK Eye 3000 or 4000 Series Control Units. The Control Units can be assigned to buttons in any combination.

Finish and Engraving Options

- Available with button engraving.
- Three engraving options are available: General Engraving, Standard Engraving, & Non-Standard Text Engraving. For more details, please refer to the seeTouch Ordering Guide (P/N 367-274) or visit the website at www.lutron.com/seetouch.

Field Selected Functionality

DIP Switch Settings 5 6	Bottom button:
	Turns all associated Control Units on to Scene 1.
	Turns all associated Control Units off.

DIP Switches 7-10 are set at the factory. Do not change switch 7, 8, or 9. Switch 10 controls the button backlight. Refer to product installation guide for more details.

Job Name:	Model Numbers:
Job Number:	

Specifications

Power

Low-voltage type Class 2 (PELV). Operating voltage: 12/24 V Direct Current.

Key Design Features

- Field-changeable button and faceplate assemblies allow easy customization.
- Front accessible DIP switches allow change of function without removing the unit from the wall.
- Meets IEC 801-2. Tested to withstand 15kV electro-static discharge without damage or memory loss.
- Faceplate snaps on with no visible means of attachment.
- Available as an “insert” style control for multi-ganging.
- Can be ganged to share a common faceplate with NovaT® and Vareo® Dimmers. To order new Wallplates for multi-ganging, specify “R3” openings in a Lutron NovaT* multi-gang FB (fins broken) Series model number.
- Use Button Replacement Kits to change color, button configuration, or engraving.
- Button Replacement Kits may also be used to convert between non-insert and insert configurations.

System Communications and Capacity

- Low-voltage type Class 2 (PELV) wiring connects Wallstations to Control Units and other components.
- Up to 8 Control Units and 16 total Wallstations and/or Control Interfaces may be connected for a total of 24 control points.

Terminals

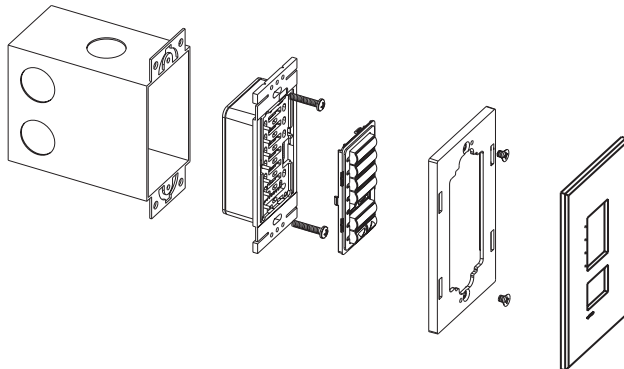
Accept up to two #18 AWG (1.0mm²) typical.

Environment

32-104°F (0-40°C). Relative humidity less than 90% non-condensing.

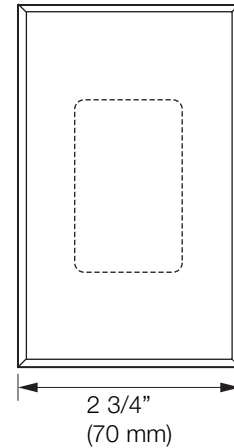
Mounting

Typical backbox dimensions: 95mm (3.74”) high, 55mm (2.17”) wide, 70mm (2.75”) deep.

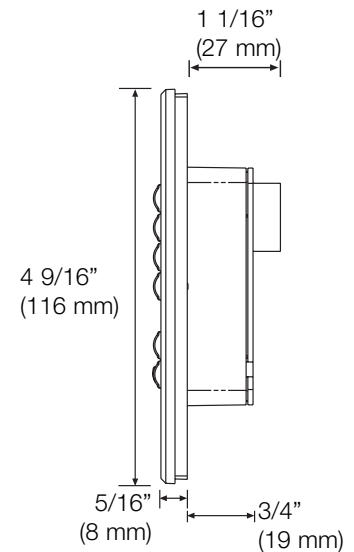


Dimensions

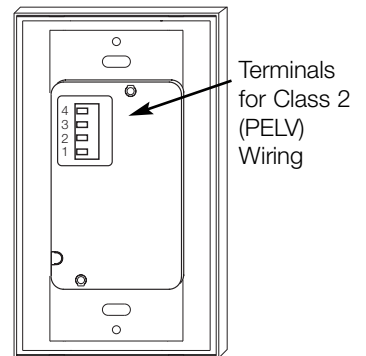
Front View



Side View



Back View



Job Name:	Model Numbers:
Job Number:	

Color/Finish and Customizing Information

Color/Finish

Matte Finishes

White	WH
Ivory	IV*
Beige	BE
Gray	GR*
Brown	BR
Black	BL

* GR, IV not currently backlighted

Metal Finishes

With Black Plastic Buttons (Standard)

Bright Brass	BB
Bright Chrome	BC
Bright Nickel	BN
Satin Brass	SB
Satin Chrome	SC
Satin Nickel	SN
Antique Brass	QB
Antique Bronze	QZ

Gloss Finishes

Available with Insert (I) style controls only.
Ship with Claro® faceplates.

White	GWH
Light Almond	GLA

Anodized Aluminum Finishes

Clear	CLA
Black	BLA
Brass	BRA

Backlighting Notes:

Illuminated text (translucent text on buttons) is available for these colors: BL and BR (including all metal finishes).

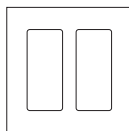
Illuminated buttons (with black text on buttons) are available for these colors: WH, BE, GR, WH*, GLA*.

* Insert (I) style controls only

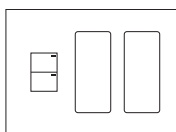
Multi-ganging

- Order Insert (I) style controls.
- To order new Wallplates for multi-ganging, specify “R3” openings in a Lutron NovaT® multi-gang FB (fins broken) Series model number.

Examples:



Wallplate for 2 seeTouch Wallstations,
Model # NT-R3-R3-FB-(color)



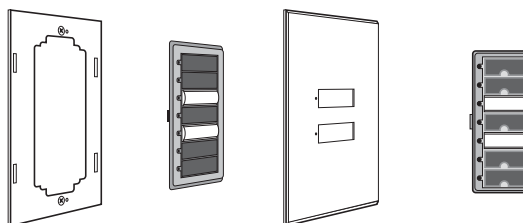
Wallplate for other Lutron controls and
2 seeTouch Wallstations,
Model # NT-T8-R3-R3-FB-(color)

Note: New button inserts are not included with multi-ganging Wallplates.

Button Replacement Kits

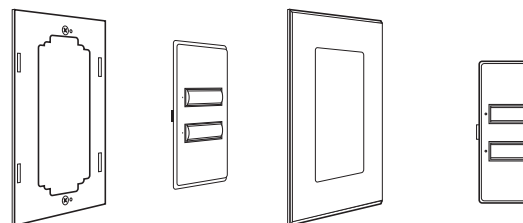
Use Button Replacement Kits to change: colors, button configuration, engraving, between insert and non-insert versions.

Non-Insert Kit



Each Kit includes an adapter, button assembly, and wallplate

Insert Kit



Job Name:	Model Numbers:
Job Number:	

Wallstation Installation

DIP Switches

- Set DIP switches 1-4 to give the Wallstation a unique system address from 1 to 16.
- Set additional DIP switches (if any) to specify function as shown on the first page of the Wallstation's Specification Submittal.
- DIP switch 10 controls the button backlight.

Address	DIP Switch Settings			
	1	2	3	4
1	↑	↑	↑	↑
2	↑	↑	↑	↓
3	↑	↑	↓	↑
4	↑	↑	↓	↓
5	↑	↓	↑	↑
6	↑	↓	↑	↓
7	↑	↓	↓	↑
8	↑	↓	↓	↓
9	↓	↑	↑	↑
10	↓	↑	↑	↓
11	↓	↑	↓	↑
12	↓	↑	↓	↓
13	↓	↓	↑	↑
14	↓	↓	↑	↓
15	↓	↓	↓	↑
16	↓	↓	↓	↓

Reserved for GRX-PRG, if present on link.

Low-voltage Class 2 (PELV) Wiring

- Use low-voltage Class 2 (PELV) wiring to daisy-chain Wallstations to Control Units and other components.
- Make connections inside the wallbox or in a switch/junction box with a maximum wire length of 8 feet (2.5m) from the link to the Wallstation.

When used with GRAFIK Eye 3000 Control Units

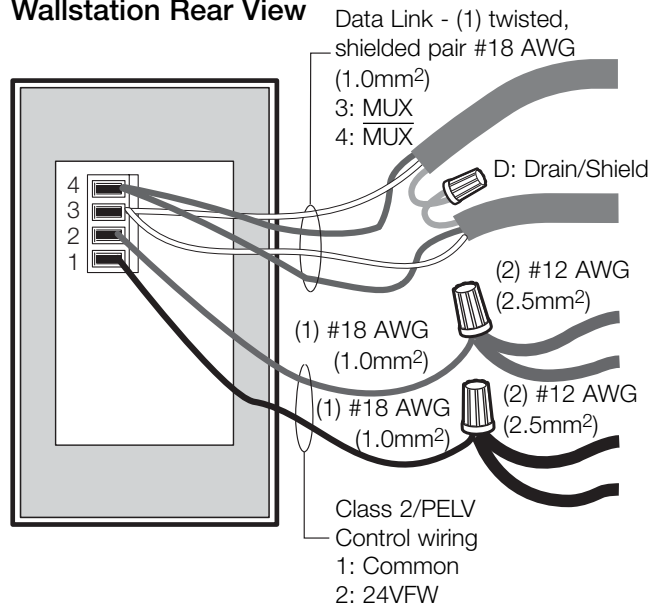
- Two #18 AWG (1.0mm²) conductors for common (terminal 1) and 12VDC (terminal 2). Ensure that the terminal 2 connection is wired correctly. Refer to GRAFIK Eye 3000 Series Specification Submittal.
- One shielded, twisted pair #18 AWG (1.0mm²) for data link (terminals 3 and 4).

When used with GRAFIK Eye 4000 Control Units

- Two #12 AWG (2.5mm²) conductors for common (terminal 1) and 24VFW (terminal 2). These won't fit in terminals. Connect as shown.
- One shielded, twisted pair #18 AWG (1.0mm²) for data link (terminals 3 and 4).
- Connect Drain/Shield as shown. Do not connect to Ground (Earth) or Wallstation. Connect the bare drain wires and cut off the outside shield.

Note: Use appropriate wire connecting devices as specified by local codes.

Wallstation Rear View



Job Name:	Model Numbers:
Job Number:	