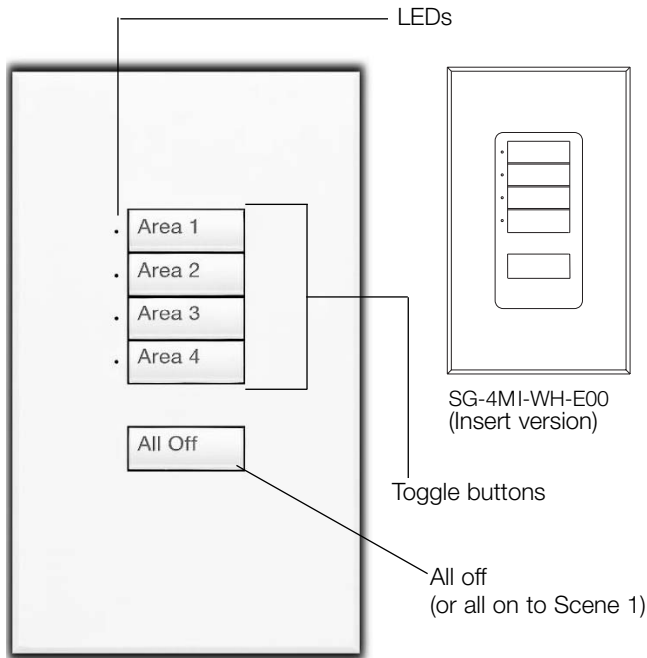


Color and Engraving Codes

**SG-4MN-\_\_\_-\_\_\_**  
**4-Button Master Wallstation**



SG-4MN-WH-E01

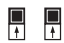

**Description**


- Allows user to control several different areas of GRAFIK Eye lighting from one master location.
- Each button can operate a different GRAFIK Eye Control Unit or group of Control Units.
- Large, rounded buttons are easy to use.
- Backlit buttons with optional engraving make it easy to find and operate the control in low light conditions.
- Optional button engraving is angled up to the eye for easy reading.
- Four toggle buttons turn their associated Control Units on (to Scene 1) and off.
- Status LEDs indicate which Control Units are on.
- The bottom button either turns all associated Control Units on (to scene 1) or off, depending on settings of DIP switches 5 and 6.
- In a home, a Master Wallstation might be placed inside the main entry. The first button would turn on foyer lights, the second button would light a path to the kitchen, etc.
- The Master Wallstation works with a total of eight GRAFIK Eye 3000 or 4000 Series Control Units. The Control Units can be assigned to buttons in any combination.

**Finish and Engraving Options**

- Available with button engraving.
- Three engraving options are available: General Engraving, Standard Engraving, & Non-Standard Text Engraving. For more details, please refer to the seeTouch Ordering Guide (P/N 367-274) or visit the website at [www.lutron.com/seetouch](http://www.lutron.com/seetouch).

**Field Selected Functionality**

DIP Switch Settings 5 6	Bottom button:
	Turns all associated Control Units on to Scene 1.
	Turns all associated Control Units off.

 DIP Switches 7-10 are set at the factory. Do not change switch 7, 8, or 9. Switch 10 controls the button backlight. Refer to product installation guide for more details.

<b>Job Name:</b>	<b>Model Numbers:</b>
<b>Job Number:</b>	

## Specifications

### Power

Low-voltage type Class 2 (PELV). Operating voltage: 12/24 V Direct Current.

### Key Design Features

- Field-changeable button and faceplate assemblies allow easy customization.
- Front accessible DIP switches allow change of function without removing the unit from the wall.
- Meets IEC 801-2. Tested to withstand 15kV electro-static discharge without damage or memory loss.
- Faceplate snaps on with no visible means of attachment.
- Available as an “insert” style control for multi-ganging.
- Can be ganged to share a common faceplate with NovaT® and Vareo® Dimmers. To order new Wallplates for multi-ganging, specify “R3” openings in a Lutron NovaT\* multi-gang FB (fins broken) Series model number.
- Use Button Replacement Kits to change color, button configuration, or engraving.
- Button Replacement Kits may also be used to convert between non-insert and insert configurations.

### System Communications and Capacity

- Low-voltage type Class 2 (PELV) wiring connects Wallstations to Control Units and other components.
- Up to 8 Control Units and 16 total Wallstations and/or Control Interfaces may be connected for a total of 24 control points.

### Terminals

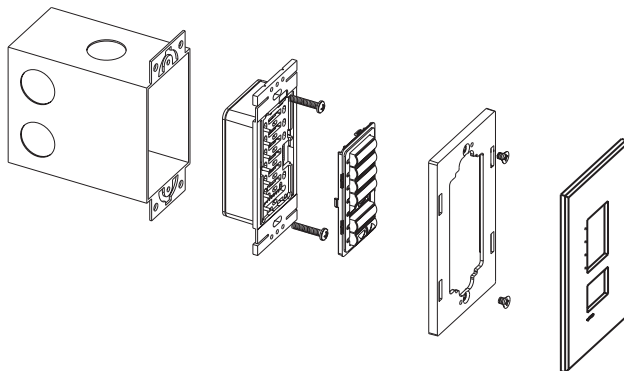
Accept up to two #18 AWG (1.0mm<sup>2</sup>) typical.

### Environment

32-104°F (0-40°C). Relative humidity less than 90% non-condensing.

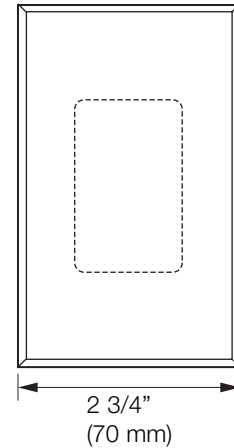
### Mounting

Typical backbox dimensions: 95mm (3.74”) high, 55mm (2.17”) wide, 70mm (2.75”) deep.

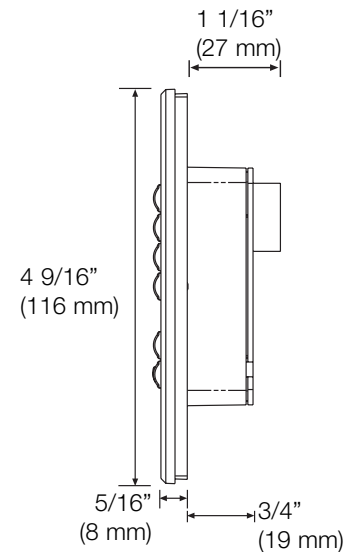


## Dimensions

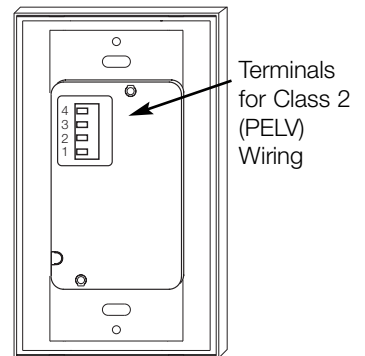
### Front View



### Side View



### Back View



<b>Job Name:</b>	<b>Model Numbers:</b>
<b>Job Number:</b>	

## Color/Finish and Customizing Information

### Color/Finish

#### Matte Finishes

White	WH
Ivory	IV*
Beige	BE
Gray	GR*
Brown	BR
Black	BL

\* GR, IV not currently backlighted

#### Metal Finishes

With Black Plastic Buttons (Standard)

Bright Brass	BB
Bright Chrome	BC
Bright Nickel	BN
Satin Brass	SB
Satin Chrome	SC
Satin Nickel	SN
Antique Brass	QB
Antique Bronze	QZ

#### Gloss Finishes

Available with Insert (I) style controls only.  
Ship with Claro® faceplates.

White	GWH
Light Almond	GLA

#### Anodized Aluminum Finishes

Clear	CLA
Black	BLA
Brass	BRA

#### Backlighting Notes:

Illuminated text (translucent text on buttons) is available for these colors: BL and BR (including all metal finishes).

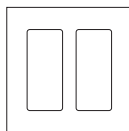
Illuminated buttons (with black text on buttons) are available for these colors: WH, BE, GR, WH\*, GLA\*.

\* Insert (I) style controls only

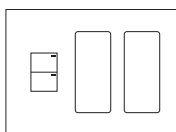
### Multi-ganging

- Order Insert (I) style controls.
- To order new Wallplates for multi-ganging, specify “R3” openings in a Lutron NovaT® multi-gang FB (fins broken) Series model number.

Examples:



Wallplate for 2 seeTouch Wallstations, Model # NT-R3-R3-FB-(color)



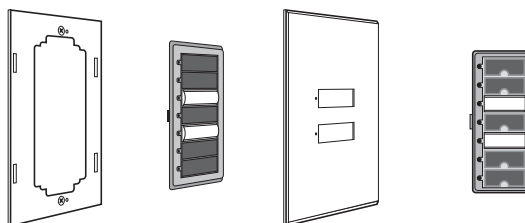
Wallplate for other Lutron controls and 2 seeTouch Wallstations, Model # NT-T8-R3-R3-FB-(color)

Note: New button inserts are not included with multi-ganging Wallplates.

### Button Replacement Kits

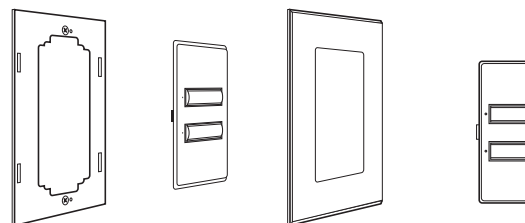
Use Button Replacement Kits to change: colors, button configuration, engraving, between insert and non-insert versions.

#### Non-Insert Kit



Each Kit includes an adapter, button assembly, and wallplate

#### Insert Kit



<b>Job Name:</b>	<b>Model Numbers:</b>
<b>Job Number:</b>	

## Wallstation Installation

### DIP Switches

- Set DIP switches 1-4 to give the Wallstation a unique system address from 1 to 16.
- Set additional DIP switches (if any) to specify a function as shown on the first page of the Wallstation's Specification Submittal.
- DIP switch 10 controls the button backlight.

Address	DIP Switch Settings			
	1	2	3	4
1	↑	↑	↑	↑
2	↑	↑	↑	↓
3	↑	↑	↓	↑
4	↑	↑	↓	↓
5	↑	↓	↑	↑
6	↑	↓	↑	↓
7	↑	↓	↓	↑
8	↑	↓	↓	↓
9	↓	↑	↑	↑
10	↓	↑	↑	↓
11	↓	↑	↓	↑
12	↓	↑	↓	↓
13	↓	↓	↑	↑
14	↓	↓	↑	↓
15	↓	↓	↓	↑
16	↓	↓	↓	↓

Reserved for GRX-PRG, if present on link.

### Low-voltage Class 2 (PELV) Wiring

- Use low-voltage Class 2 (PELV) wiring to daisy-chain Wallstations to Control Units and other components.
- Make connections inside the wallbox or in a switch/junction box with a maximum wire length of 8 feet (2.5m) from the link to the Wallstation.

### When used with GRAFIK Eye 3000 Control Units

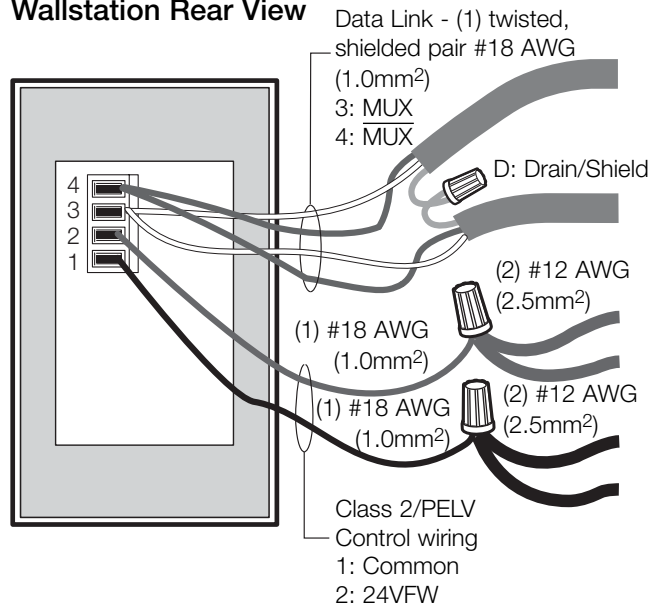
- Two #18 AWG (1.0mm<sup>2</sup>) conductors for common (terminal 1) and 12VDC (terminal 2). Ensure that the terminal 2 connection is wired correctly. Refer to GRAFIK Eye 3000 Series Specification Submittal.
- One shielded, twisted pair #18 AWG (1.0mm<sup>2</sup>) for data link (terminals 3 and 4).

### When used with GRAFIK Eye 4000 Control Units

- Two #12 AWG (2.5mm<sup>2</sup>) conductors for common (terminal 1) and 24VFW (terminal 2). These won't fit in terminals. Connect as shown.
- One shielded, twisted pair #18 AWG (1.0mm<sup>2</sup>) for data link (terminals 3 and 4).
- Connect Drain/Shield as shown. Do not connect to Ground (Earth) or Wallstation. Connect the bare drain wires and cut off the outside shield.

Note: Use appropriate wire connecting devices as specified by local codes.

### Wallstation Rear View



<b>Job Name:</b>	<b>Model Numbers:</b>
<b>Job Number:</b>	