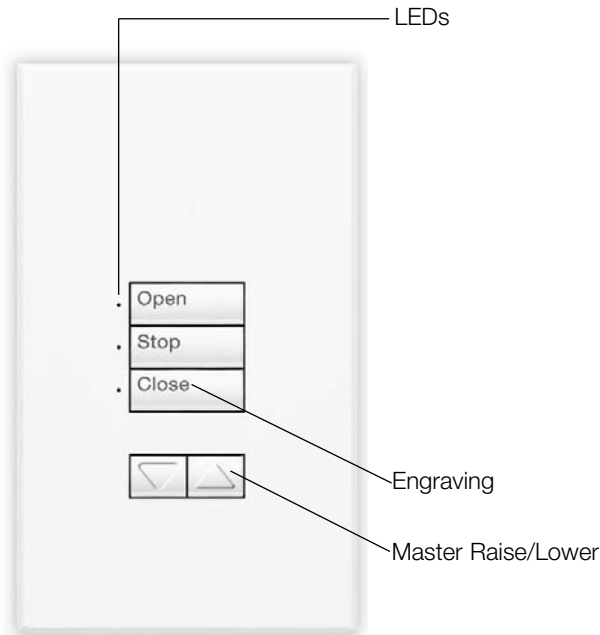


Color and Engraving Codes

SO-3WRLN-___-___

SO-3WRLI-___-___

3-Button Window Treatment Wallstation with Raise/Lower



SO-3WRLN-WH-E01
(Non-insert version)



SO-3WRLI-WH-E01
(Insert version)

Description

- Used to control one or more window treatment zones simultaneously.
- Can control Sivoia QED™ and AC Motorized Window Treatments.
- Receives up to two contact closure inputs via a connector on the back of the Wallstation.
- Large, rounded buttons are easy to use.
- Backlit buttons with on-button engraving make it easy to find and operate the Wallstation in low light conditions.
- Optional button engraving is angled up to the eye for easy reading.
- Pressing the Open button once will cause the window treatments to move to their fully open position. If the Open button is pressed again while the window treatments are opening, the movement of the window treatments will stop.
- Pressing the Close button once will cause the window treatments to move to their fully closed position. If the Close button is pressed again while the window treatments are closing, the movement of the window treatments will stop.
- Pressing Stop will stop the movement of the window treatments.
- Raise/Lower buttons open and close the window treatments for the duration of the button press.
- The LEDs next to each button are used during programming and provide feedback when the buttons are pressed.
- Works with GRAFIK 5000™, GRAFIK 6000®, GRAFIK 7000™ Systems.
- For *Sivoia QED* Motorized Window Treatments, the LEDs provide feedback of the current *Sivoia QED* preset.

Finish and Engraving Options

- Available with button engraving.
- Standard and Non-Standard Text Engraving is available. For more details, please visit the *seeTouch* website at www.lutron.com/seeTouch.

Job Name:	Model Numbers:
Job Number:	

Specifications

Power Input (Control Link Terminal 2)

Low-voltage type PELV (Class 2: USA). Operating voltage: 24 V $\overline{=}$

Key Design Features

- Field-changeable button and faceplate assemblies allow easy customization.
- Front accessible address and option switches allow change of function without removing the unit from the wall.
- Meets IEC 801-2. Tested to withstand 15kV electro-static discharge without damage or memory loss.
- Faceplate snaps on with no visible means of attachment.
- Available as an “insert” style control for multi-ganging.
- Can be ganged to share a common faceplate with NovaT*® and Vareo® Dimmers. To order new Wallplates for multi-ganging, specify “R3” openings in a NovaT* multi-gang FB (fins broken) Series model number.
- Use Faceplate Replacement Kits to change color, button configuration, or engraving.
- Faceplate Replacement Kits may also be used to convert between non-insert and insert configurations.

System Communications and Capacity

- Low-voltage type PELV (Class 2: USA) wiring connects Wallstations to Processor Panel on the Control Station Device (CSD) Link.
- Counts as one Control Station Device (CSD).

Terminals

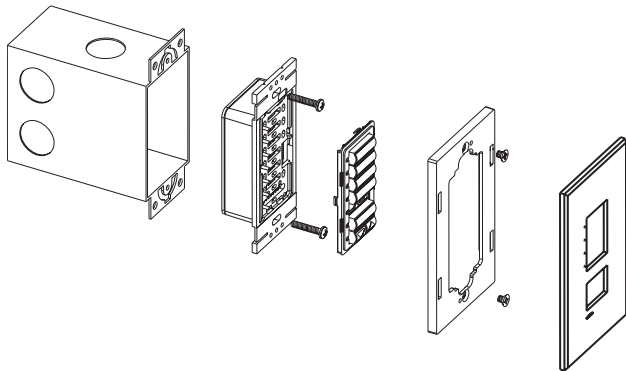
Accept up to two #18 AWG (1.0mm²) typical.

Environment

32-104°F (0-40°C). Relative humidity less than 90% non-condensing.

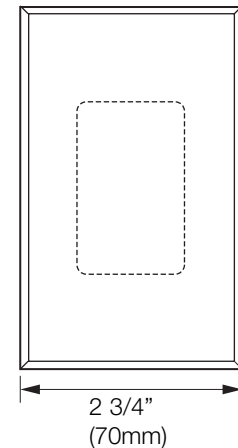
Mounting

Typical backbox dimensions: 3.74" (95mm) high, 2.17" (55mm) wide, 2.75" (70mm) deep.

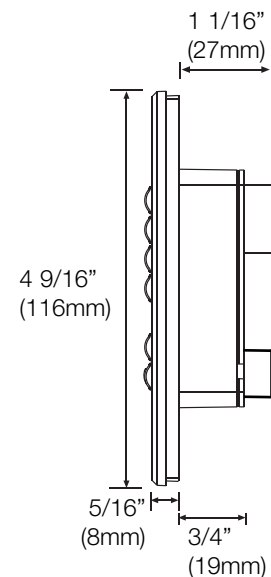


Dimensions

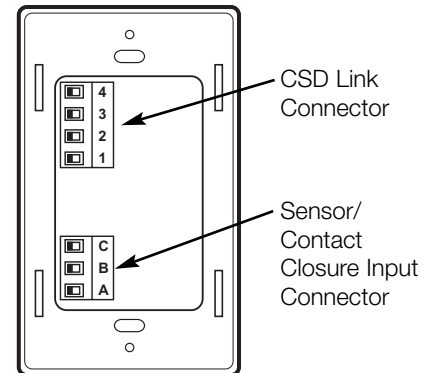
Front View



Side View



Back View

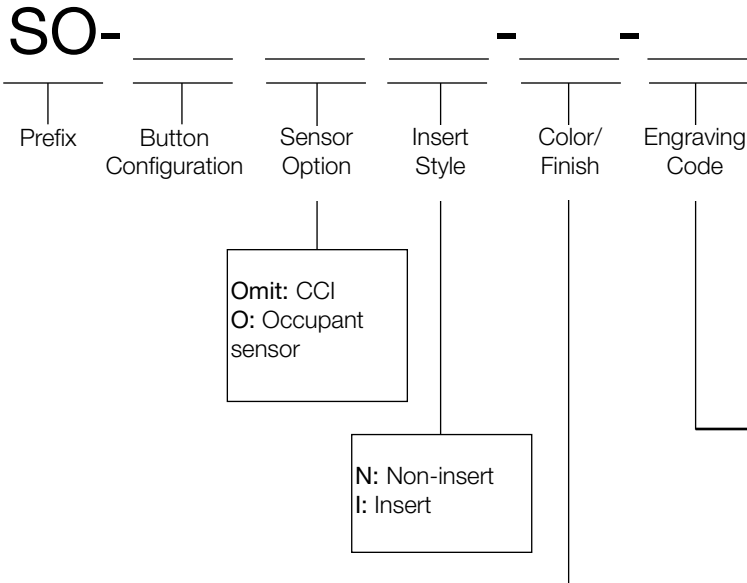


Job Name:

Model Numbers:

Job Number:

How to Build a seeTouch Model Number



Color/Finish Codes	
Matte Finishes	
White	WH
Ivory	IV
Beige	BE
Gray	GR
Brown	BR
Black	BL
Taupe	TP
Gloss Finishes	
Available with Insert (I) style controls only. Ship with Claro® Wallplates.	
White	GWH
Light Almond	GLA
Metal Finishes	
With black plastic buttons (standard).	
Bright Brass	BB
Bright Chrome	BC
Bright Nickel	BN
Satin Brass	SB
Satin Chrome	SC
Satin Nickel	SN
Antique Brass	QB
Antique Bronze	QZ
Anodized Aluminum Finishes	
With black plastic buttons (standard).	
Clear	CLA
Black	BLA
Brass	BRA
Satin Colors™	
Available with Insert (I) style controls only.	
Snow	SW
Biscuit	BI
Eggshell	ES
Midnight	MN
Blue Mist	BT*
Limestone	LS*
Stone	ST*
Desert Stone	DS*
Terracotta	TC*
Ochre	OC*
Hot	HT*
*Note: Some <i>Satin Colors</i> units ship with different color buttons. For more information, please visit the seeTouch website at www.lutron.com/seetouch .	

Engraving Codes	
Unengraved	E00
General/Standard Engraving	
Arabic	Axx
Portug. (Latin)	Bxx
Chinese	Cxx
Danish	Dxx
English	Exx
French	Fxx
German	Gxx
Italian	Ixx
Japanese	Jxx
Spanish (Latin)	Lxx
Dutch	Nxx
Portug. (Euro)	Pxx
Spanish (Euro)	Sxx
Note: Replace the xx with either GN (general engraving) or a two-digit number (01-99; standard engraving). Please visit the seeTouch website at www.lutron.com/seetouch for a listing of the standard engraving choices.	
Non-Standard Text Engraving	
Customized button engraving for particular needs. Use with Faceplate Replacement Kits only (model number begins with SR). Use an engraving code of NST. To order, contact Lutron customer service. Please visit the seeTouch website at www.lutron.com/seetouch for custom engraving sheets.	

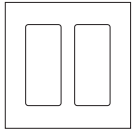
Job Name:	Model Numbers:
Job Number:	

Faceplate Information

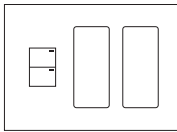
Multi-gangging

- Order Insert (I) style controls.
- To order Wallplates for multi-gangging, specify “R3” openings in a NovaT*® multi-gang FB (fins broken) Series model number.

Examples:



Wallplate for 2 *seeTouch* Wallstations,
Model # NT-R3-R3-FB-(color)



Wallplate for other *Lutron* controls and 2 *seeTouch* Wallstations,
Model # NT-T8-R3-R3-FB-(color)

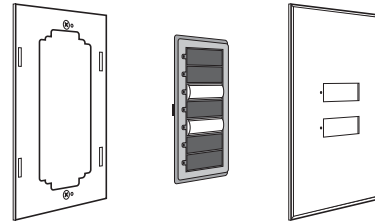
- Order Claro® Wallplates for multi-gangging Wallstations in Gloss Finishes.
- Order Satin Colors™ Wallplates for multi-gangging Wallstations in *Satin Colors*.

Note: New button inserts are not included with multi-gangging Wallplates.

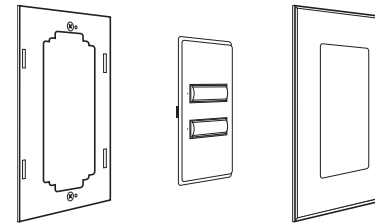
Faceplate Replacement Kits

Use Faceplate Replacement Kits to change: colors, button configuration, engraving, between insert and non-insert versions. Each Kit includes an adapter, button assembly, and wallplate

Non-Insert Kit



Insert Kit



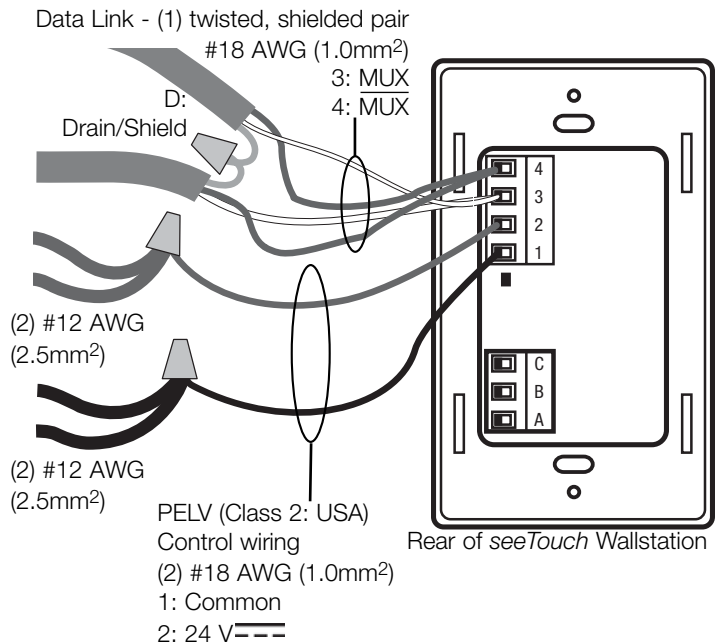
Wallstation Installation

Control Station Device (CSD) Link Wiring

- Use low-voltage PELV (Class 2: USA) wiring to daisy-chain Wallstations to the Processor Panel.
- Make connections inside the wallbox or in a switch/junction box with a maximum wire length of 8 feet (2.5m) from the link to the Wallstation.
- Two #12 AWG (2.5mm²) conductors for common (terminal 1) and 24 V_{AC} (terminal 2). These will not fit in terminals. Connect as shown.
- One shielded, twisted pair #18 AWG (1.0mm²) for data link (terminals 3 and 4).
- Connect Drain/Shield as shown. Do not connect to Ground (Earth) or Wallstation. Connect the bare drain wires and cut off the outside shield.

Note: Some Wallstations have a “D” terminal for Drain. The Drain/Shield wire may be connected to this terminal.

Wiring to Control Link



Note: Use appropriate wire connecting devices as specified by local codes.

Job Name:	Model Numbers:
Job Number:	

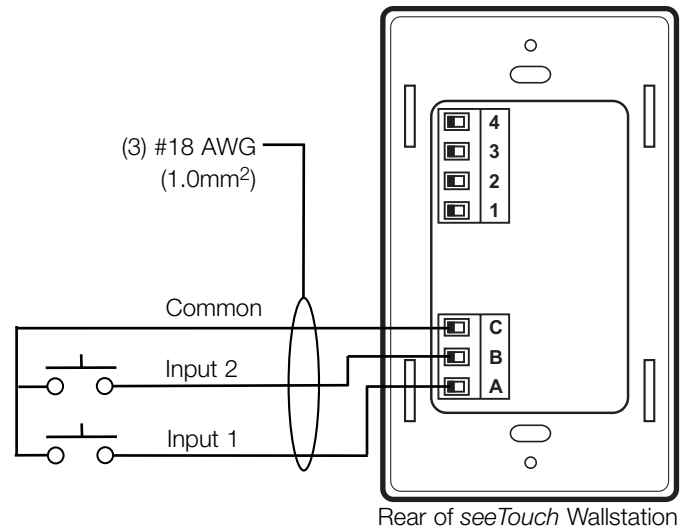
Contact Closure Inputs

Specifications

- Inputs must be dry contact closure or ground-referenced solid-state outputs:
 - Dry Contact Closure:
 - Rated Voltage: 10 V $\overline{=}$ when open.
 - Rated Current: 0.5 mA when closed.
 - Solid-State Output:
 - Open collector (NPN) referenced to Common (Terminal C).
 - On-state saturation voltage less than 2 V $\overline{=}$ at 0.1 mA.
 - Off-state leakage current less than 50 μ A at 5 V $\overline{=}$.
- Wallstation is miswire protected up to 36 V $\overline{=}$.
- Outputs must stay in the closed or open states for at least 40 msec in order to be recognized by the Wallstation.

Contact Closure Input Wiring

- Use low-voltage PELV (Class 2: USA) wiring to connect the contact closure inputs to the Wallstation.



Job Name:	Model Numbers:
Job Number:	