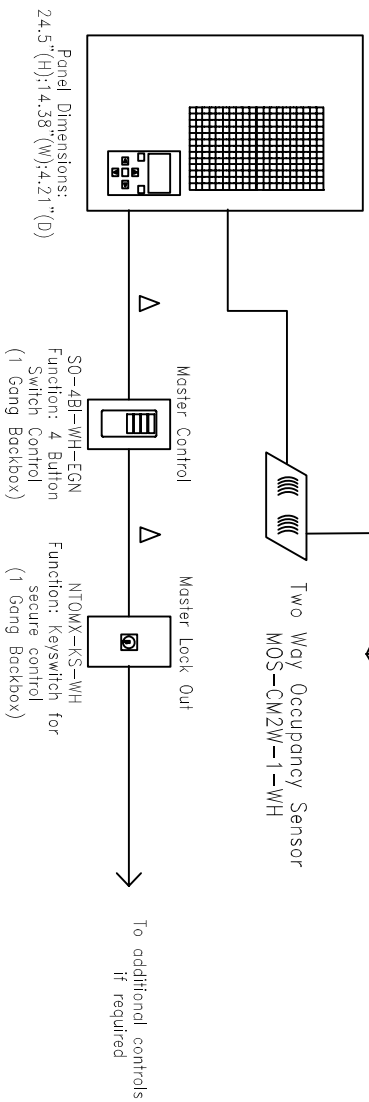


4 Output Switch Panel  
XPS4-FT

PP20  
24VDC PLUG-IN CLASS 2  
TRANSFORMER

△ Control link requires Lutron All-in one cable  
GRX-CBL-46L-500 (5 Conductor) or  
2 #12 (Class 2) plus one  
Belden #9461 or Alpha #2211 cable.



For applications with more circuits:  
8 circuits = XPS8-FT  
12 circuits = XPS12-FT  
16 circuits = XPS16-FT

NOTES:

- 1) PANEL HAS BUILT-IN PROCESSOR AND ASTRONOMIC TIME CLOCK. UP TO 500 EVENTS CAN BE PROGRAMMED WITHIN A CALENDAR YEAR ON A WEEKLY SCHEDULE AND FOR UP TO 40 HOLIDAYS.
- 2) SYSTEM IS PROGRAMMED FROM LCD SCREEN LOCATED DIRECTLY ON PANEL. CONTROLS CAN BE PROGRAMMED FOR AREA CONTROL, MANUAL OVERRIDE, DELAY TO OFF, RECALL LIGHT PATTERNS, OR TIME CLOCK ENABLE/DISABLE. TO BE DETERMINED IN THE FIELD.
- 3) PANEL PROCESSOR SHALL BE PASSWORD PROTECTABLE FOR SECURITY.
- 4) ALL INPUT FEED, LOAD, AND CONTROL TERMINALS SHALL BE FRONT ACCESSIBLE WITHOUT THE NEED TO REMOVE RELAY ASSEMBLIES OR OTHER COMPONENTS.
- 5) THE CONTROL SYSTEM SHALL HAVE A FULL INTERNAL BATTERY BACKUP THAT CAN STORE ALL SYSTEM MEMORY FOR ONE YEAR WITHOUT POWER.
- 6) LUTRON TO PROVIDE ON-SITE COMMISSIONING AND CUSTOMER TRAINING.

NOTES:

- 7) PANEL SHALL BE RECESS OR WALL MOUNTED.
- 8) PANEL AND OTHER SYSTEM COMPONENTS INCLUDING CONTROL STATIONS AND WIRING SHALL BE U.L. APPROVED AND SHALL ALSO BE APPROVED BY ALL LOCAL AUTHORITIES HAVING JURISDICTION.
- 9) PANEL AND CONTROLS SHALL BE MANUFACTURED BY LUTRON.
- 10) PANEL SHALL BE FACTORY PRE-ASSEMBLED AND 100% TESTED PRIOR TO SHIPMENT.
- 11) MANUFACTURER SHALL PROVIDE TOLL-FREE TECHNICAL SUPPORT HOTLINE 24 HOURS PER DAY, 7 DAYS PER WEEK.
- 12) WIRING FROM THE PROCESSOR TO CONTROL WALLSTATIONS AND CONTROL INTERFACES SHALL BE LOW VOLTAGE TYPE CLASS 2 WIRING (PELV).
- 13) PANEL HAS TWO CONTACT CLOSURE INPUTS FOR BMS INTEGRATION, OCCUPANCY SENSOR, OR PHOTO SENSOR INPUTS.

Project Name:	SAMPLE Softswitch128 System with Mini Panel
Location:	X
Drawn By:	X
Date:	X
Job Number:	X
Drawing:	X
Sheet:	X

