

Switch for Permanently Installed Lighting Loads (Incandescent, Fluorescent, Magnetic Low-Voltage, Electronic Low-Voltage) and Fan Loads (General-Purpose Fan)



SZ-6ANS- XX

Shown with SZF-Z5- XX
faceplate
XX = Color code

Description

The Stanza® system is an easy-to-install and easy-to-use lighting control system designed especially for hotel guest rooms and similar applications. The system consists of wallbox dimmers, wallbox switches, line-voltage wallbox keypads, low-voltage interfaces, and lamp socket dimmer/switches. All of these devices communicate via radio frequency (RF) within each individual guest room.

Stanza® switches function much like standard switches, and have an integral microprocessor, allowing them to be incorporated into a complete lighting control system. Stanza® switches are useful in locations where single circuits of lighting need to be switched.

Stanza® switches include a front accessible service switch (FASS™) for safe bulb replacement.

Features

- Allows local switching (toggle On/Off) control of one zone of incandescent, fluorescent, magnetic low-voltage, or electronic low-voltage lighting loads, or general-purpose fan.
- Lights can also be toggled, if addressed as part of a Stanza® lighting control system, via an RF command from a keypad or integration device.
- 3-way operation can be obtained using a dimmer and a keypad.
- Screw terminals and push-in connections simplify installation.
- Mounts in a single-gang wallbox.
- Large paddle button designed with ADA and Universal Design considerations.
- Faceplate not included; order separately.

Job Name:	Model Numbers:
Job Number:	

Specifications

Regulatory Approvals:

- UL
- NOM
- cUL and ICA
- FCC (Complies with the limits for a Class B digital device, pursuant to Part 15 of the FCC rules)

Load:

- 10 W minimum, 6 A maximum halogen, fluorescent, incandescent, magnetic low-voltage, electronic low-voltage, or high-intensity discharge loads
- Derated if ganged; see derating table
- 3 A general-purpose fan
- Single location only
- Do not install switch to control standard receptacles. Contact Lutron for switchable receptacle solution.

Power:

- Operating voltage: 120 V \sim 50/60 Hz
- Requires a neutral wire connection

Key Design Features:

- Indicator light glows green; turns amber for programming indication
- Power failure memory: if power is interrupted, when the power is restored, lights will return to their previous state prior to the interruption
- Requires Stanza®-specific faceplate (order separately)
- Requires a 1-gang U.S. wallbox: 3.5 in (89 mm) deep recommended; 2.25 in (57 mm) deep minimum
- Can be ganged with other Stanza® controls or with decorator controls using multigang Stanza® faceplates
(Derated if ganged; see derating table)

System Communication and Capacity:

- Switches communicate with other Stanza® system components through radio frequency (RF) at 434 MHz
- Multiple RF channels and thousands of system addresses prevent interference between systems
- Each switch counts as 1 toward the basic system maximum of 31 RF devices (maximum RF devices can be increased to 100 if an SZ-CI-PRG is present in the system)

Environment:

- Ambient operating temperature: 32 - 104 °F (0 - 40 °C)
- Maximum 90% non-condensing relative humidity
- Indoor use only

Warranty:

- 1-year limited warranty standard. 2-year parts and labor warranty, with 8-year pro-rated parts replacement on systems that include factory startup. For more information:
www.lutron.com/TechnicalDocumentLibrary/Warranty_CommercialSystems.pdf

Color Codes:

(Satin Colors®)

Button Color	Code
Biscuit	BI
Eggshell	ES
Merlot	MR
Midnight	MN
Sienna	SI
Snow	SW
Taupe	TP

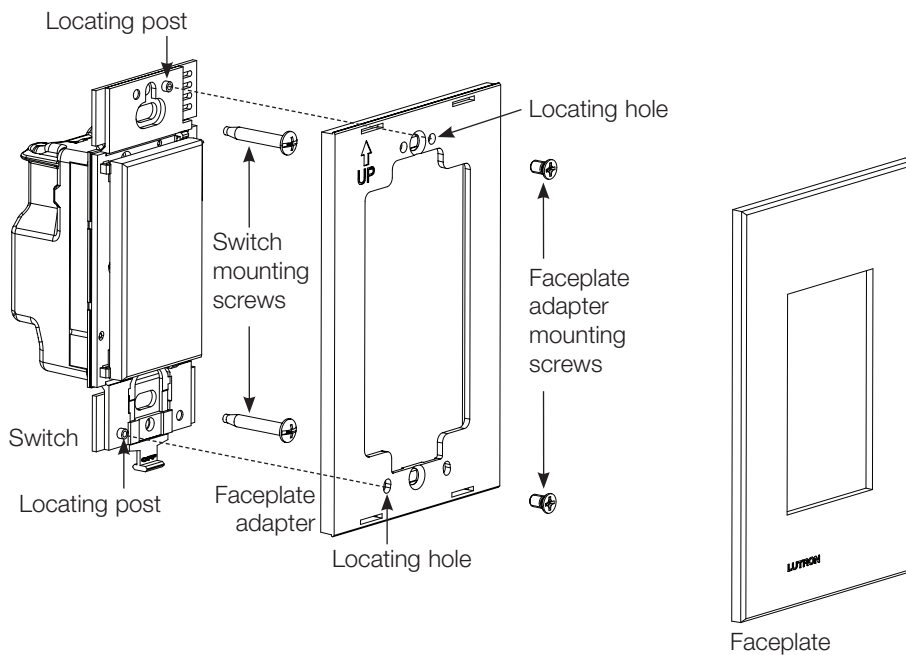
Contact Lutron for other available finish options.

Job Name:

Model Numbers:

Job Number:

Mounting

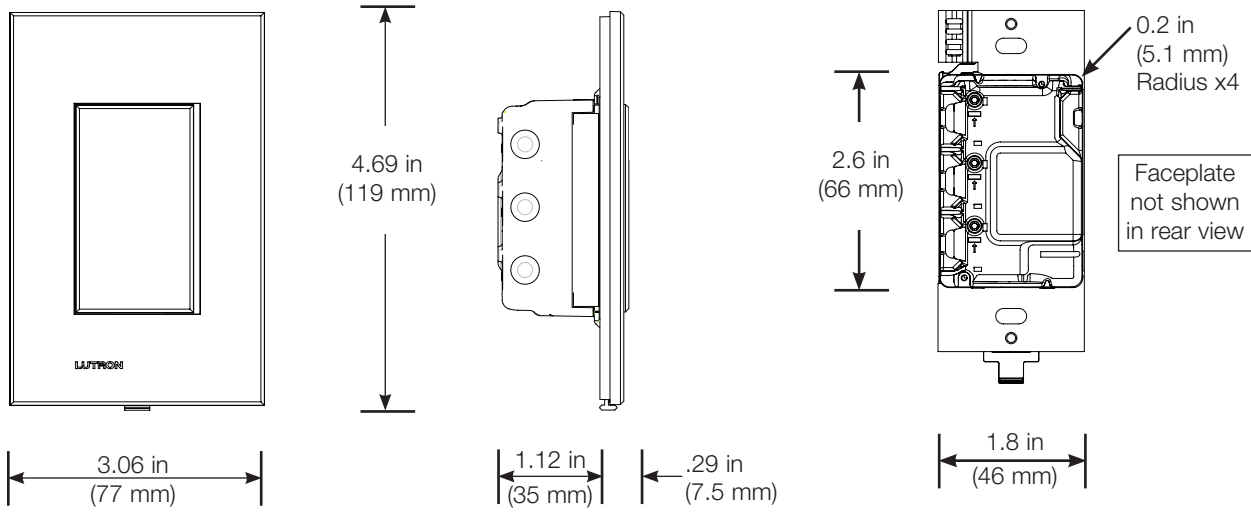


Ensure your customer will be happy by installing this product correctly so the switch protrudes from the faceplate.

- Ensure all devices are correctly wired and loosely fasten to the wallbox before installing or replacing faceplates.
- For installation with a recessed wallbox, use spacer shims (Lutron PN 257117) for proper support of control(s).
- For multigang installation, verify that the order of controls in the wallbox corresponds to the faceplate openings.
- Ensure controls and surrounding wall are free from debris (e.g. plaster, spackling compound) before installing adapter and faceplate.
- Attach Lutron Stanza® faceplate adapter and faceplate.
 - a. Align the locating posts on the control(s) to the holes in the adapter.
 - b. Install the adapter onto front of control(s) using the short screws provided. The faceplate adapter should be firmly against the control.
 - c. Tighten control mounting screws until faceplate adapter is flush to wall (do not over-tighten).
 - d. Snap faceplate onto faceplate adapter, and verify that control is aligned properly and switch(es) protrude(s) in front of the faceplate.
 - e. If control(s) is (are) misaligned or switch(es) is (are) flush with the faceplate, loosen control mounting screws appropriately.

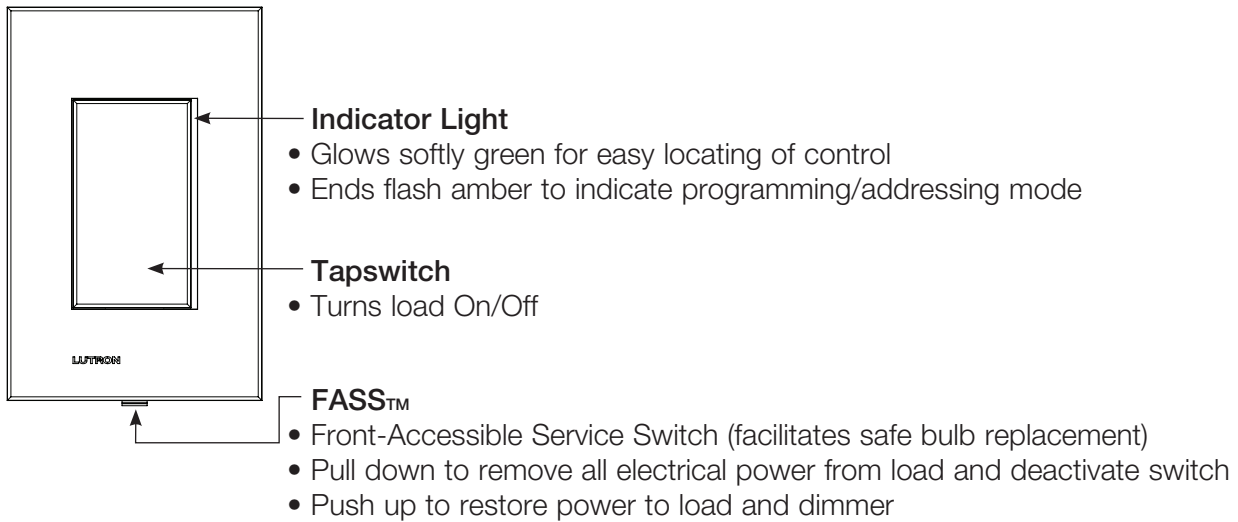
Job Name:	Model Numbers:
Job Number:	

Dimensions



Job Name:	Model Numbers:
Job Number:	

Switch Operation

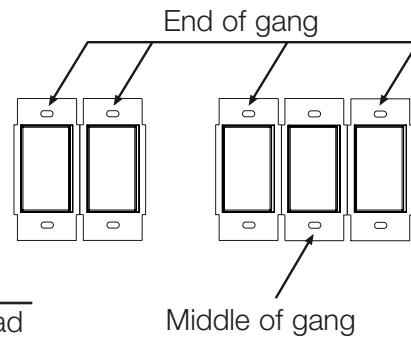


Important Notice

To replace bulb, power may be conveniently removed by pulling the FASS™ down on the switch. For any procedure other than routine bulb replacement, power must be disconnected at the main electrical panel.

Ganging and Derating

Lutron Stanza® faceplates are available in 1-gang through 6-gang versions. When combining controls in a wallbox, derating is required as indicated below. Note: Controls do not have fins that need to be removed for multigang installations.



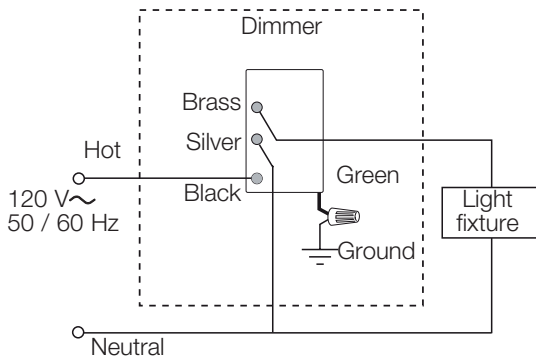
Derated Loads for SZ-6ANS

Position	Maximum Rating	
	Lighting Load	Motor Load
Single (no ganging)	6 A	3 A
End of Gang	5 A	3 A
Middle of Gang	3.5 A	3 A

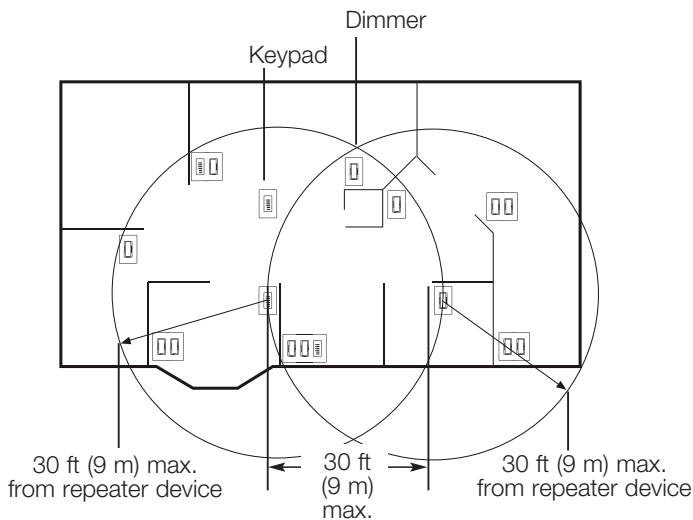
Job Name:	Model Numbers:
Job Number:	

Wiring Diagram

Single Location Installation Only



System Overview



System Communication Notes

- Stanza® RF devices must be located within 30 feet (9 m) of a Stanza® RF device configured as a repeater. Multiple devices configured as repeaters may be necessary to provide adequate coverage.
- Any Stanza® RF device can be configured as a repeater.
- A total of 5 devices maximum can be configured as repeaters.
- Devices configured as repeaters must be within 30 feet (9 m) of another device configured as a repeater.
- Stanza® lighting controls cannot be controlled wirelessly and Stanza® keypads will not function until they are addressed and programmed.

Feature	Basic System (no SZ-CI-PRG present)	Advanced System (with SZ-CI-PRG present)
Maximum devices	31	100
RS232 and/or Ethernet Interface Capability	No	Yes
PC Required for Device Replacement	No	Yes

Job Name:	Model Numbers:
Job Number:	