

Halogen, Incandescent, and Magnetic Low-Voltage Dimmer



SZ-6D-XX

Shown with SZF-Z5-XX
faceplate
XX = Color code

Description

The *Stanza* system is an easy-to-install and easy-to-use lighting control system designed especially for hotel guest rooms and similar applications. The system consists of wallbox dimmers, wallbox switches, line-voltage wallbox keypads, low-voltage interfaces, and lamp socket dimmer/switches. All of these devices communicate via radio frequency (RF) within each individual guest room.

Stanza dimmers function much like standard dimmers and switches, and have an integral microprocessor, allowing them to be incorporated into a complete lighting control system. *Stanza* dimmers are useful in locations where single circuits of lighting need to be dimmed and switched. *Stanza* dimmers include a front accessible service switch (FASS™) for safe bulb replacement.

Features

- Allows local dimming and switching (toggle On/Off) control of one zone of halogen, incandescent, or magnetic low-voltage loads.
- Light level can also be adjusted, if addressed as part of a *Stanza* lighting control system, via an RF command from a keypad or integration device.
- 3-way operation can be obtained using a dimmer and a keypad.
- Screw terminals and push-in connections simplify installation.
- Shallow back cover takes up less room in the wallbox.
- Large controls designed with ADA and Universal Design considerations.
- Two wire (plus ground) installation allows easy replacement of existing switches.
- Faceplate not included; order separately.

Job Name:	Model Numbers:
Job Number:	

Specifications

Standards:

- UL listed
- NOM approved
- CUL approved and ICA registered
- FCC approved. Complies with the limits for a Class B digital device, pursuant to Part 15 of the FCC rules

Load:

- 40 W minimum, 600 W maximum halogen, incandescent, or 450 W / 600 VA magnetic low-voltage
- Derated if ganged; see derating chart
- Do not install dimmer to control standard receptacles or motor-operated appliances. Contact Lutron for dimmable receptacle solution.

Power:

- Operating voltage: 120 V \sim 50/60 Hz

Key Design Features:

- Backlight of slider glows green; section of slider track turns amber for programming indication
- Adjustable maximum light level provides energy savings and extended bulb life
- Power failure memory: if power is interrupted, when the power is restored, lights will return to their previously set level prior to the interruption
- On a single tap, lights alternately fade to preset level or turn off
- Light level can be fine-tuned by moving the slider up or down until the desired light level is reached
- Requires *Stanza*-specific faceplate (order separately)
- Requires a 1-gang U.S. wallbox: 3.5 in (89 mm) deep recommended; 2.25 in (57 mm) deep minimum
- Can be ganged with other *Stanza* controls or with decorator controls using multigang *Stanza* faceplates

System Communication and Capacity:

- Dimmers communicate with other *Stanza* system components through radio frequency (RF) at 434 MHz
- Multiple RF channels and thousands of system addresses prevent interference between systems
- Each dimmer counts as 1 toward the basic system maximum of 31 RF devices (maximum devices can be increased to 100 if an SZ-CI-PRG is present in the system)

Environment:

- Ambient operating temperature: 32 - 104 °F (0 - 40 °C)
- Maximum 90% non-condensing relative humidity
- Indoor use only

Warranty:

- 1-year limited warranty
- 2-year full parts and labor warranty, with 8-year pro-rated parts replacement on commissioned systems

Color Codes:

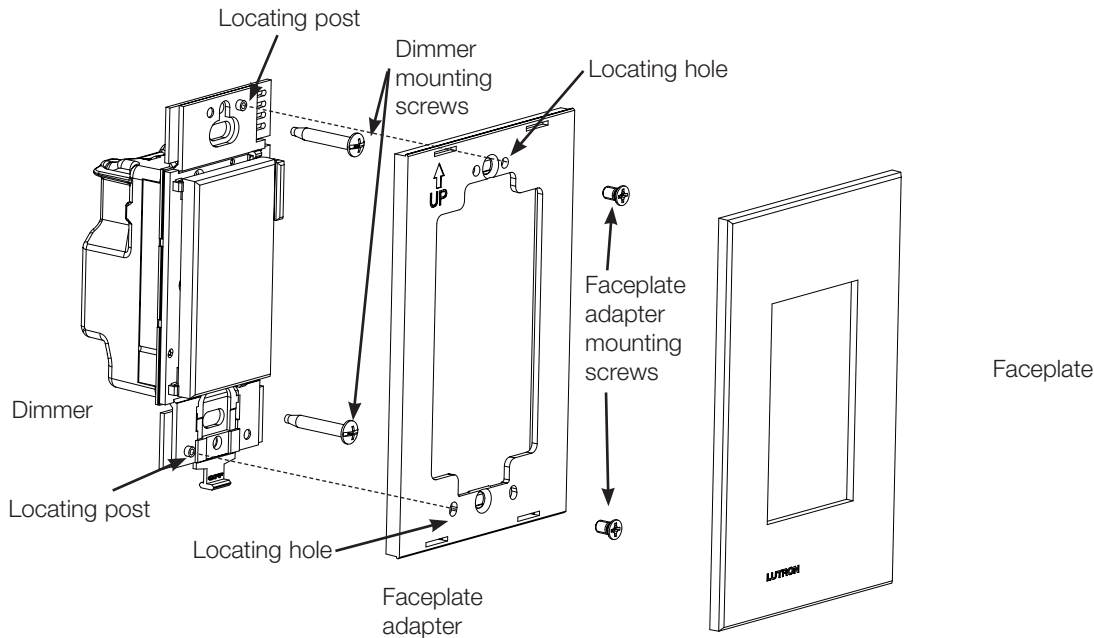
(Satin Colors™)

Button Color	Code
Biscuit	BI
Eggshell	ES
Merlot	MR
Midnight	MN
Sienna	SI
Snow	SW
Taupe	TP

Contact Lutron for other available finish options.

Job Name:	Model Numbers:
Job Number:	

Mounting

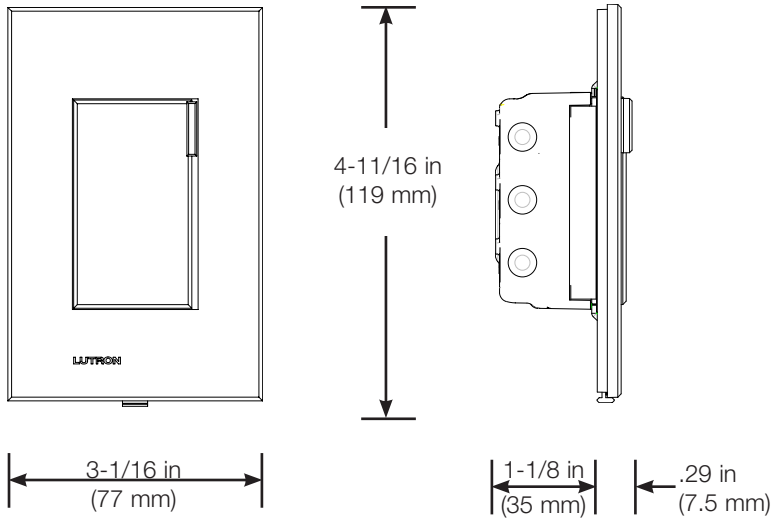


Ensure your customer will be happy by installing this product correctly so the switch protrudes from the faceplate.

- Ensure all devices are correctly wired and loosely fasten to the wallbox before installing or replacing faceplates.
- For installation with a recessed wallbox, use spacer shims (Lutron PN 257117) for proper support of control(s).
- For multigang installation, verify that the order of controls in the wallbox corresponds to the faceplate openings.
- Ensure controls and surrounding wall are free from debris (e.g. plaster, spackling compound) before installing adapter and faceplate.
- Attach Lutron *Stanza* faceplate adapter and faceplate.
 - a. Align the locating posts on the control(s) to the holes in the adapter.
 - b. Install the adapter onto front of control(s) using the short screws provided. The faceplate adapter should be firmly against the control.
 - c. Tighten control mounting screws until faceplate adapter is flush to wall (do not over-tighten).
 - d. Snap faceplate onto faceplate adapter, and verify that control is aligned properly and switch(es) protrude(s) in front of the faceplate.
 - e. If control(s) is (are) misaligned or switch(es) is (are) flush with the faceplate, loosen control mounting screws appropriately.

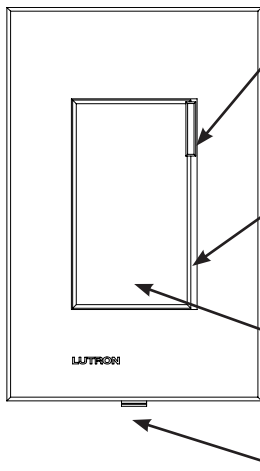
Job Name:	Model Numbers:
Job Number:	

Dimensions



Job Name:	Model Numbers:
Job Number:	

Dimmer Operation



Dimming Slider

Slide up to brighten
Slide down to dim
Load must be on for slider to affect intensity

Indicator Light in Slider Track

Glows softly green for easy locating of control
Track ends flash amber to indicate programming/addressing mode

Tapswitch

Turns load on/off

FASS™

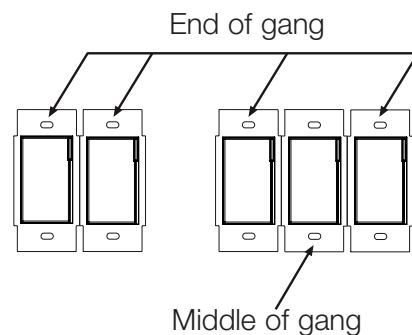
Front-Accessible Service Switch (facilitates safe bulb replacement)
Pull down to remove all electrical power from load and deactivate switch
Push up to restore power to load and dimmer

Important Notice

To replace bulb, power may be conveniently removed by pulling the *FASS* down on the dimmer. For any procedure other than routine bulb replacement, power must be disconnected at the main electrical panel.

Ganging and Derating

Lutron *Stanza* faceplates are available in single-gang and multiple-gang versions. When combining controls in a wallbox, derating is required as indicated below.



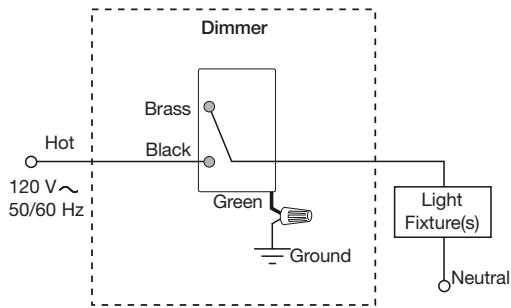
Derated Loads for SZ-6D

Position	Maximum Rating
Single (no ganging)	600 W Incandescent, 450 W / 600 VA MLV
End of Gang	500 W Incandescent, 400 W / 500 VA MLV
Middle of Gang	400 W Incandescent, 300 W / 400 VA MLV

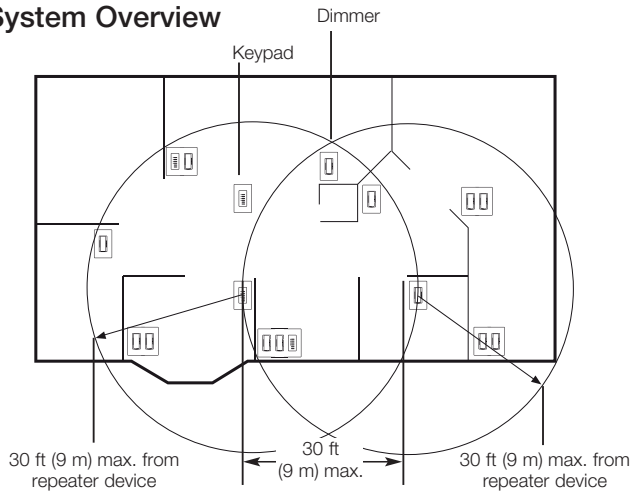
Job Name:	Model Numbers:
Job Number:	

Wiring Diagram

Single Location Installation Only



System Overview



System Communication Notes

- *Stanza* RF devices must be located within 30 feet (9 m) of a *Stanza* RF device configured as a repeater. Multiple devices configured as repeaters may be necessary to provide adequate coverage.
- Any *Stanza* RF device can be configured as a repeater.
- A total of 5 devices maximum can be configured as repeaters.
- Devices configured as repeaters must be within 30 feet (9 m) of another device configured as a repeater.
- *Stanza* lighting controls cannot be controlled wirelessly and *Stanza* keypads will not function until they are addressed and programmed.

Feature	Basic System (no SZ-CI-PRG present)	Advanced System (with SZ-CI-PRG present)
Maximum devices	31	100
RS232 and/or Ethernet Interface Capability	No	Yes
PC Required for Device Replacement	No	Yes

Job Name:	Model Numbers:
Job Number:	