

Dimmers with Neutral for Halogen, Incandescent, Magnetic Low-Voltage, or Interfaces and Power Modules



SZ-6ND- XX

Shown with SZF-Z5-XX
faceplate

XX = Color code

N = neutral wire required

Description

The Stanza® system is an easy-to-install and easy-to-use lighting control system designed especially for hotel guest rooms and similar applications. The system consists of wallbox dimmers, wallbox switches, line-voltage wallbox keypads, low-voltage interfaces, and lamp socket dimmer/switches. All of these devices communicate via radio frequency (RF) within each individual guest room.

Stanza® dimmers with neutral, function much like standard dimmers and switches, and have an integral microprocessor, allowing them to be incorporated into a complete lighting control system. Stanza® dimmers with neutral are useful in locations where single circuits of lighting need to be dimmed and switched. Stanza® dimmers include a front accessible service switch (FASS™) for safe bulb replacement.

Stanza® dimmers with neutral, can be used for driving Lutron power modules and interfaces when loads are required that the dimmer does not support.

Features

- Allows local dimming and switching (toggle On/Off) control of one zone of halogen, incandescent, magnetic low-voltage, or loads through an interface.
- Light level can also be adjusted, if addressed as part of a Stanza® lighting control system, via an RF command from a keypad or integration device.
- 3-way operation can be obtained using a dimmer and a keypad.
- Screw terminals and push-in connections simplify installation.
- Shallow back cover takes up less room in the wallbox.
- Large controls designed with ADA and Universal Design considerations.
- Faceplate not included; order separately.

Job Name:	Model Numbers:
Job Number:	

Specifications

Regulatory Approvals:

- UL
- NOM
- cUL and ICA
- FCC (Complies with the limits for a Class B digital device, pursuant to Part 15 of the FCC rules)

Load:

- 10 W minimum, 600 W maximum halogen, incandescent, or 450 W / 600 VA magnetic low-voltage
(Derated if ganged; see derating chart)
- Lutron interfaces GRX-PWM, PHPM-PA, or PHPM-3F
- Derated if ganged; see derating chart
- Do not install dimmer to control standard receptacles or motor-operated appliances. Contact Lutron for dimmable receptacle solution.

Power:

- Operating voltage: 120 V \sim 50/60 Hz
- Requires a neutral wire connection

Key Design Features:

- Backlight of slider glows green; section of slider track turns amber for programming indication
- Adjustable maximum light level provides energy savings and extended bulb life
- Power failure memory: if power is interrupted, when the power is restored, lights will return to their previously set level prior to the interruption
- On a single tap, lights alternately fade to preset level or turn off
- Light level can be fine-tuned by moving the slider up or down until the desired light level is reached
- Requires Stanza®-specific faceplate (order separately)
- Requires a 1-gang U.S. wallbox: 3.5 in (89 mm) deep recommended; 2.25 in (57 mm) deep minimum
- Can be ganged with other Stanza® controls or with decorator controls using multigang Stanza® faceplates

System Communication and Capacity:

- Dimmers communicate with other Stanza® system components through radio frequency (RF) at 434 MHz
- Multiple RF channels and thousands of system addresses prevent interference between systems
- Each dimmer counts as 1 toward the basic system maximum of 31 RF devices
(maximum RF devices can be increased to 100 if an SZ-CI-PRG is present in the system)

Environment:

- Ambient operating temperature:
32 - 104 °F (0 - 40 °C)
- Maximum 90% non-condensing relative humidity
- Indoor use only

Warranty:

- 1-year limited warranty standard. 2-year parts and labor warranty, with 8-year pro-rated parts replacement on systems that include factory startup. For more information:
www.lutron.com/TechnicalDocumentLibrary/Warranty_CommercialSystems.pdf

Color Codes:

(Satin Colors®)

Button Color	Code
Biscuit	BI
Eggshell	ES
Merlot	MR
Midnight	MN
Sienna	SI
Snow	SW
Taupe	TP

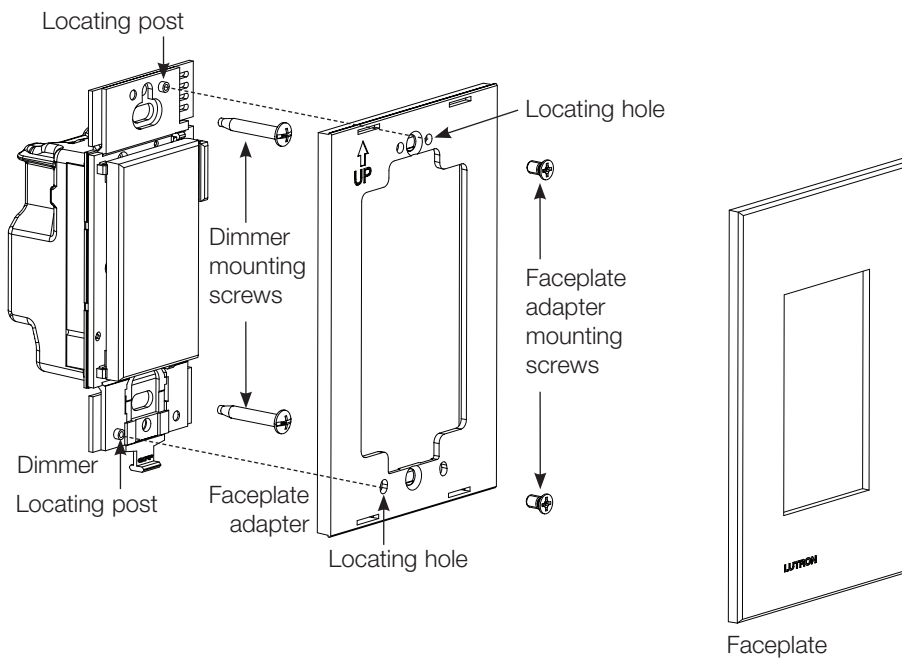
Contact Lutron for other available finish options.

Job Name:

Model Numbers:

Job Number:

Mounting

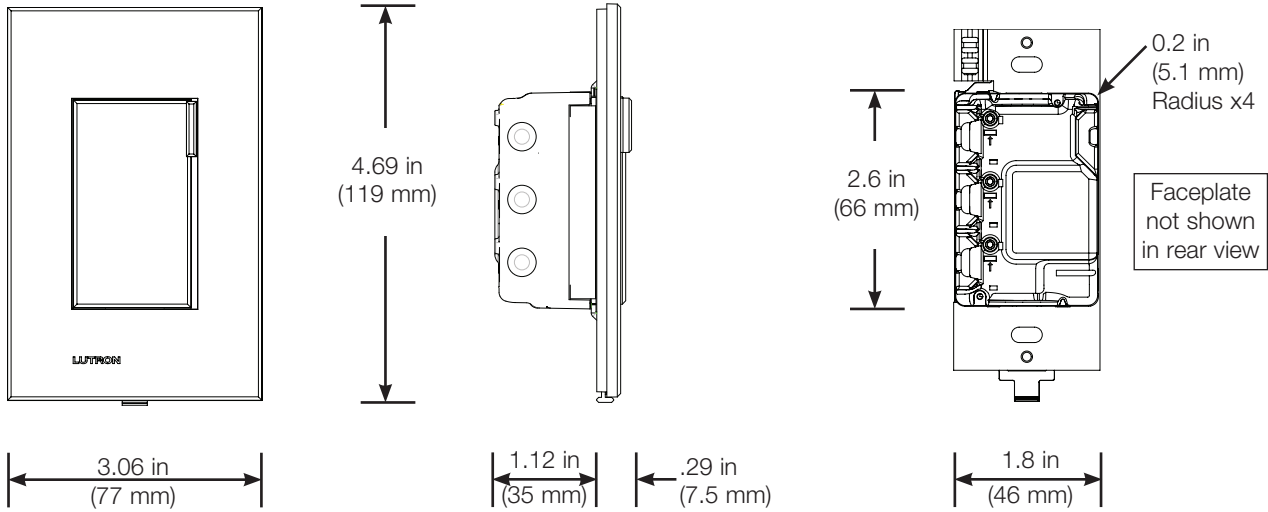


Ensure your customer will be happy by installing this product correctly so the switch protrudes from the faceplate.

- Ensure all devices are correctly wired and loosely fasten to the wallbox before installing or replacing faceplates.
- For installation with a recessed wallbox, use spacer shims (Lutron PN 257117) for proper support of control(s).
- For multigang installation, verify that the order of controls in the wallbox corresponds to the faceplate openings.
- Ensure controls and surrounding wall are free from debris (e.g. plaster, spackling compound) before installing adapter and faceplate.
- Attach Lutron Stanza® faceplate adapter and faceplate.
 - a. Align the locating posts on the control(s) to the holes in the adapter.
 - b. Install the adapter onto front of control(s) using the short screws provided. The faceplate adapter should be firmly against the control.
 - c. Tighten control mounting screws until faceplate adapter is flush to wall (do not over-tighten).
 - d. Snap faceplate onto faceplate adapter, and verify that control is aligned properly and switch(es) protrude(s) in front of the faceplate.
 - e. If control(s) is (are) misaligned or switch(es) is (are) flush with the faceplate, loosen control mounting screws appropriately.

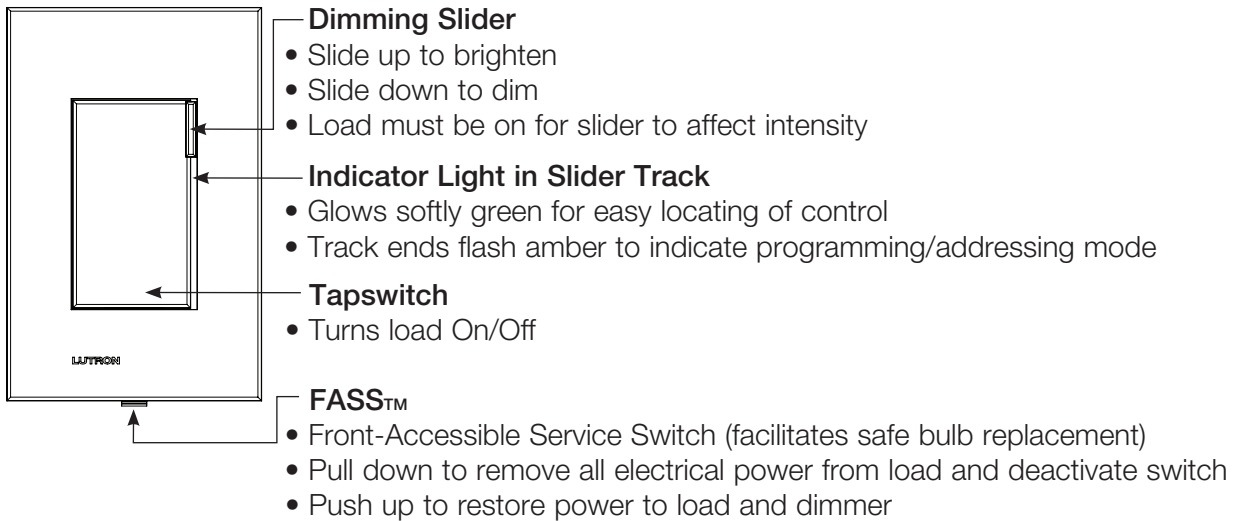
Job Name:	Model Numbers:
Job Number:	

Dimensions



Job Name:	Model Numbers:
Job Number:	

Dimmer Operation

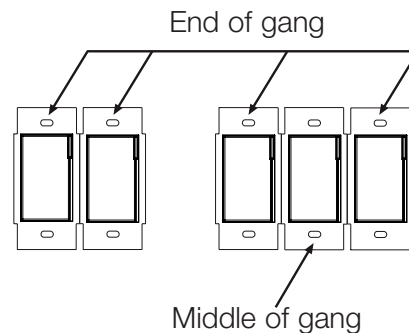


Important Notice

To replace bulb, power may be conveniently removed by pulling the FASS™ down on the dimmer. For any procedure other than routine bulb replacement, power must be disconnected at the main electrical panel.

Ganging and Derating

Lutron Stanza® faceplates are available in single-gang and multiple-gang versions. When combining controls in a wallbox, derating is required as indicated below.



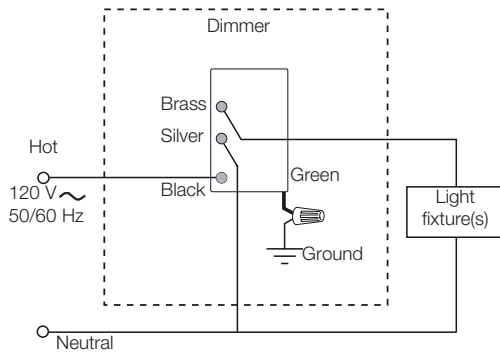
Derated Loads for SZ-6D

Position	Maximum Rating
Single (no ganging)	600 W Incandescent, 450 W / 600 VA MLV
End of Gang	500 W Incandescent, 400 W / 500 VA MLV
Middle of Gang	400 W Incandescent, 300 W / 400 VA MLV

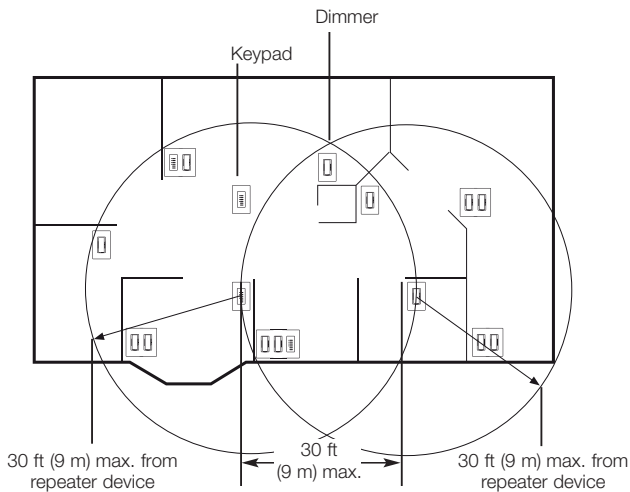
Job Name:	Model Numbers:
Job Number:	

Wiring Diagram

Single Location Installation Only



System Overview



System Communication Notes

- Stanza® RF devices must be located within 30 feet (9 m) of a Stanza® RF device configured as a repeater. Multiple devices configured as repeaters may be necessary to provide adequate coverage.
- Any Stanza® RF device can be configured as a repeater.
- A total of 5 devices maximum can be configured as repeaters.
- Devices configured as repeaters must be within 30 feet (9 m) of another device configured as a repeater.
- Stanza® lighting controls cannot be controlled wirelessly and Stanza® keypads will not function until they are addressed and programmed.

Feature	Basic System (no SZ-CI-PRG present)	Advanced System (with SZ-CI-PRG present)
Maximum devices	31	100
RS232 and/or Ethernet Interface Capability	No	Yes
PC Required for Device Replacement	No	Yes

Job Name:	Model Numbers:
Job Number:	