

## SZ-CI-PRG Programming Control Interface



### Description

The *Stanza* system is an easy-to-install and easy-to-use lighting control system designed especially for hotel guest rooms and similar applications. The system consists of wallbox dimmers, wallbox switches, line-voltage wallbox keypads, low-voltage interfaces, and lamp socket dimmer/switches. All of these devices communicate via radio frequency (RF) within each individual guest room.

The *Stanza* programming control interface allows setup, commissioning, and modification of *Stanza* systems, and can also be used to integrate with a PC or other digital equipment that supports TCP/IP over 10/100 BaseT Ethernet or RS232 connections.

### Features

- Integrates a *Stanza* guest room lighting control system with a PC or other digital equipment that supports RS232 or Ethernet TCP/IP communication.
- Provides a basic serial string command set that allows a PC to monitor and control lighting.
- Enables use of a PC to set up and commission *Stanza* systems.
- An SZ-CI-PRG is required for commissioning or system modification. Programmed and commissioned systems do not require a SZ-CI-PRG to be present for continued operation.
- Wireless connection allows easy mounting near integration device.
- One SZ-CI-PRG control interface may be used per system.

Job Name:	Model Numbers:
Job Number:	

## Specifications

### Standards:

- FCC approved. Complies with the limits for a Class B digital device, pursuant to Part 15 of the FCC rules

### Power:

- Low-voltage PELV (Class 2: USA).
- Operating Voltage: 9 to 24 V<sub>DC</sub>, 200 mA maximum.
- AC adapter included (requires 120 V<sub>AC</sub> outlet).

### Integration:

- Provides one 10/100 Base T (autosensing) Auto-MDIX jack for connecting to an Ethernet network using TCP/IP.

### Note: A managed switch or router is required when integrating through Ethernet.

- Provides one DB9 RS232 jack for connecting to a serial device.
- Baud rate supported over RS232: 9600.

### Key Design Features:

- LED status indicators provide device diagnostics
- Power failure memory: if power is interrupted, when the power is restored, device will retain all settings that were in place prior to the interruption

### System Communication and Capacity:

- Programming control interface communicates with other *Stanza* system components through radio frequency (RF) at 434 MHz
- Multiple RF channels and thousands of system addresses prevent interference between systems
- When used only for commissioning and programming, programming control interface does not count toward the single-system maximum of 31 *Stanza* devices (maximum devices can be increased to 100 if an SZ-CI-PRG is present in the system)

### Environment:

- Ambient operating temperature: 32 to 104 °F (0 to 40 °C)
- Maximum 90% non-condensing relative humidity
- Indoor use only
- Cannot be mounted in a metal enclosure (interferes with RF reception).

### Warranty:

- 1-year limited warranty
  - 2-year full parts and labor warranty, with 8-year pro-rated parts replacement on commissioned systems
- For details, see [www.lutron.com/TechnicalDocumentLibrary/Warranty\\_CommercialSystems.pdf](http://www.lutron.com/TechnicalDocumentLibrary/Warranty_CommercialSystems.pdf)

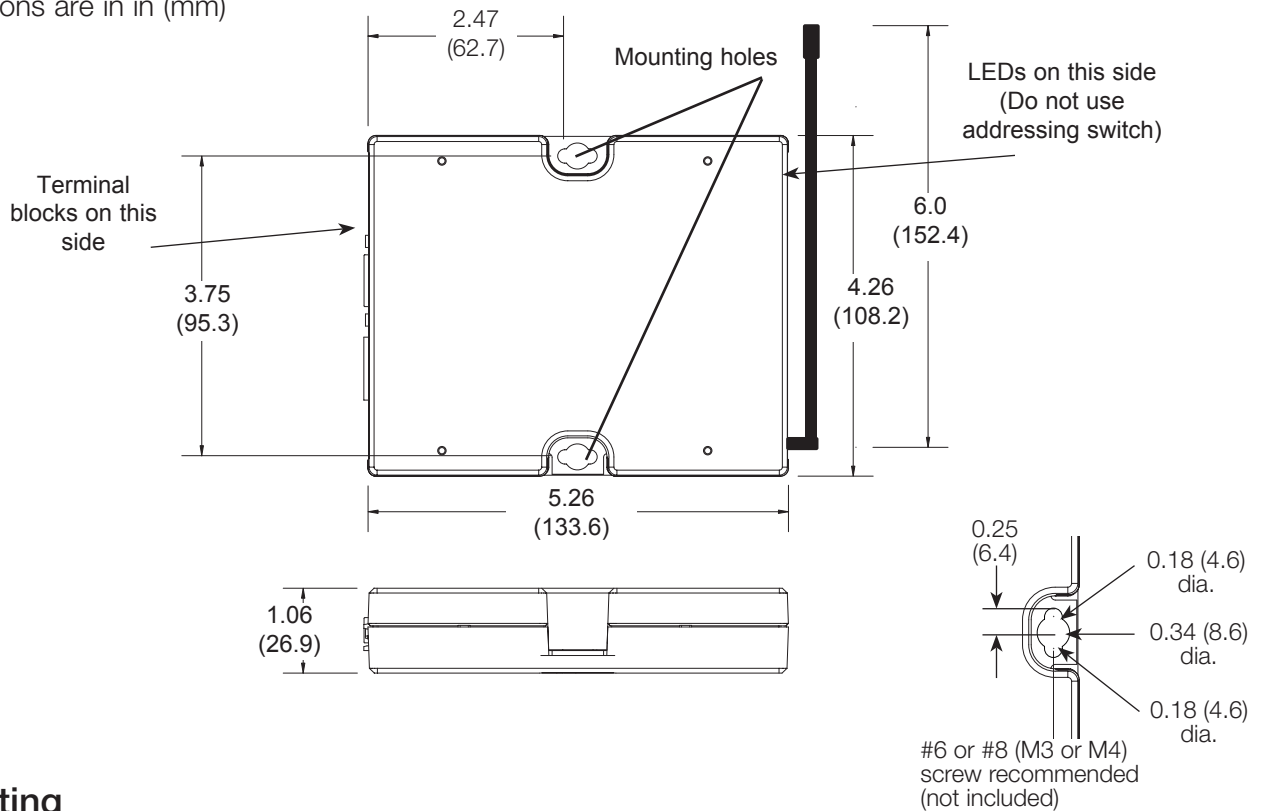
### Color/Finish Codes:

- Black only

Job Name:	Model Numbers:
Job Number:	

### Dimensions

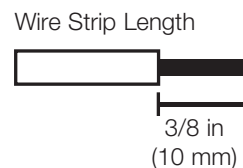
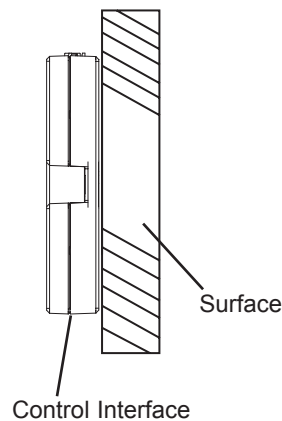
Dimensions are in in (mm)



### Mounting

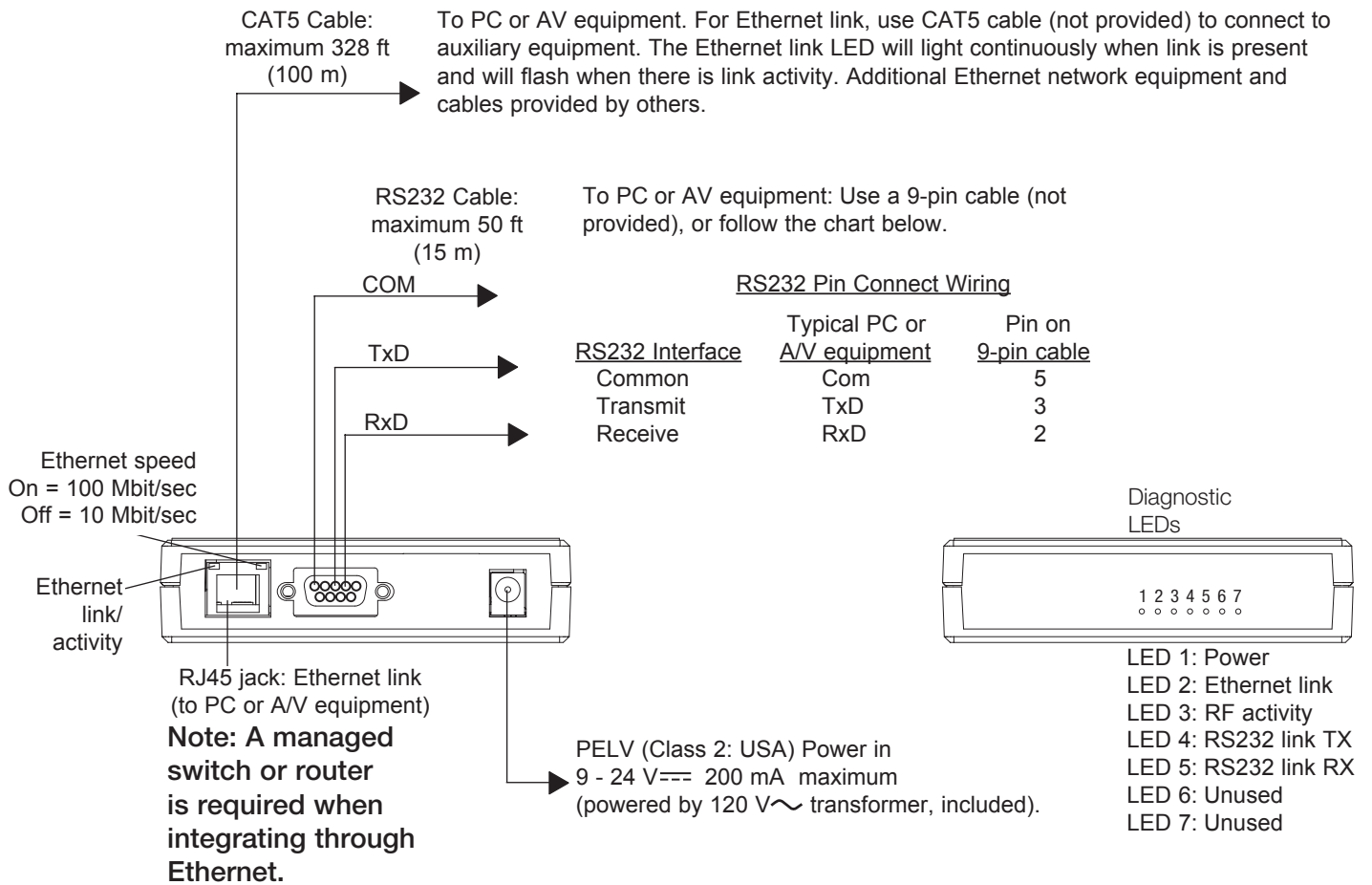
1. Mount the control interface directly on a surface, as shown in the Mounting Diagram, using screws (not included).
2. When mounting, provide sufficient space for the antenna and connecting cables. The unit can be mounted in any orientation.
3. Mount in an accessible location for convenient access to addressing switches, LEDs, and terminal blocks.
4. The unit cannot be mounted in a full metal enclosure. If mounting in a metal enclosure is necessary, antenna must fully protrude out of a knockout or other hole. The antenna is not removable or remotely mountable.
5. Connect wiring as shown in the Wiring Diagram (next page).

#### Mounting Diagram



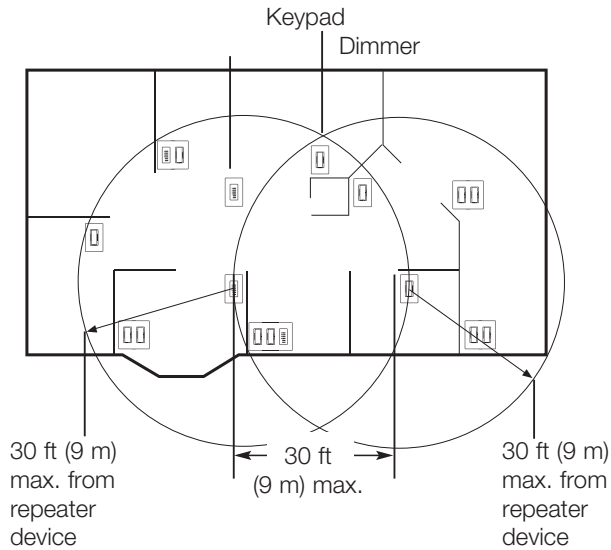
Job Name:	Model Numbers:
Job Number:	

# Wiring Diagram



<b>Job Name:</b>	<b>Model Numbers:</b>
<b>Job Number:</b>	

### System Overview



### System Communication Notes

- *Stanza* lighting controls, keypads, and interfaces must be located within 30 ft (9 m) of a *Stanza* device configured as a repeater. Multiple devices configured as repeaters may be necessary to provide adequate coverage.
- A total of 5 devices maximum can be configured as repeaters. The SZ-CI-PRG must be one of the repeaters when used as an integration device.
- Devices configured as repeaters must be within 30 ft (9 m) of another device configured as a repeater.
- *Stanza* lighting controls cannot be controlled wirelessly and *Stanza* keypads will not function until they are addressed and programmed.

### System Limits

- 30 ft (9 m) from device to repeater devices
- Dimmers, keypads, or contact closure devices can be repeaters

Feature	Basic System (no SZ-CI-PRG present)	Advanced System (with SZ-CI-PRG present)
Maximum devices	31	100
RS232 and/or Ethernet Interface Capability	No	Yes
PC Required for Device Replacement	No	Yes

<b>Job Name:</b>	<b>Model Numbers:</b>
<b>Job Number:</b>	