

2-, 3-, 4-, or 5-Button Keypad

Description

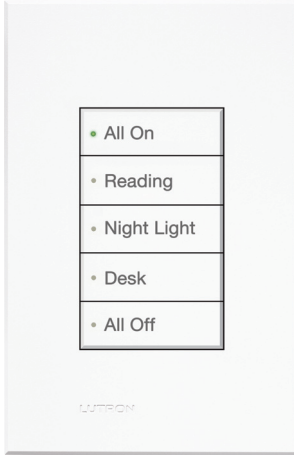
The Stanza® system is an easy-to-install and easy-to-use lighting control system designed especially for hotel guest rooms and similar applications. The system consists of wallbox dimmers, wallbox switches, line-voltage wallbox keypads, low-voltage interfaces, and lamp socket dimmer/switches. All of these devices communicate via radio frequency (RF) within each individual guest room.

Stanza® keypads allow guests to control multiple loads at the touch of a button. The keypad buttons have indicator LEDs to identify the current lighting scene.

Keypad buttons can be custom-engraved and have backlighting that makes them easy to read and easy to locate, even in a dark room.

Features

- Keypad provides centralized control for Stanza® lighting control system users to:
 - Toggle a light or group of lights between a preset level and Off
 - Monitor the status of a light or group of lights
 - Turn selected lights On to a preset scene
 - Turn selected lights Off
 - Open or close contact closure outputs
- Buttons are software-programmable to select which loads or contact closure outputs are to be controlled.
- Large, flat, backlit buttons are easy to press and designed with ADA and Universal Design considerations.
- Status LEDs identify current lighting state.
- Standard text and custom engraving available for buttons. Use suffix -E00 instead of -NST for non-engraved buttons.
- Includes button kit. Faceplate not included; order separately.
- Replacement button kits available



SZ-5B-XX-YY

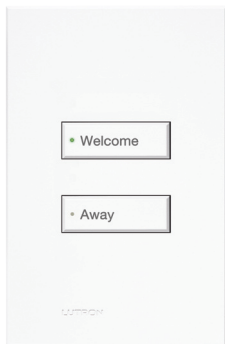
Shown with SZF-Z5-XX faceplate

XX = Color code

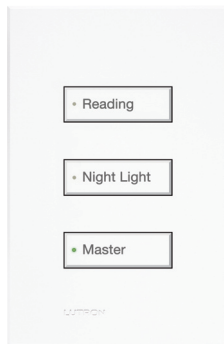
YY = Engraving code

Other Available Button Combinations

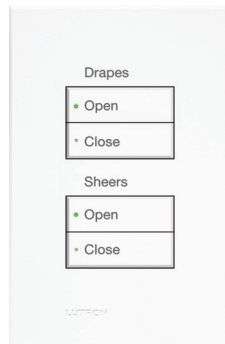
(shown with faceplate model number in parentheses)



SZ-2B
(SZF-Z2)



SZ-3B
(SZF-Z3)



SZ-4B
(SZF-Z4)



SZ-3/1B
(SZF-Z6)

Job Name:	Model Numbers:
Job Number:	

Specifications

Regulatory Approvals:

- UL
- NOM
- cUL and ICA
- FCC. Complies with the limits for a Class B digital device, pursuant to Part 15 of the FCC rules

Power:

- Operating voltage: 120 V~ 50/60 Hz
- Requires neutral
- Less than 2 W total power required

Key Design Features:

- Green LEDs for status and button backlighting
- Status LEDs turn amber for programming indication
- Power failure memory: if power is interrupted, when the power is restored, the keypad will continue to properly identify which lighting zones were On/Off
- Configurable button-by-button programming
 - Toggle: On a single tap, the selected room, scene, or contact closure output will toggle On/Off
 - Scene: Pressing a button selects the programmed scene
- Requires Stanza®-specific faceplate (order separately)
- Requires a 1-gang U.S. wallbox: 3.5 in (89 mm) deep recommended; 2.25 in (57 mm) deep minimum
- Can be ganged with other Stanza® controls or with decorator controls using multigang Stanza® faceplates

System Communication and Capacity:

- Keypads communicate with other Stanza® system components through radio frequency (RF) at 434 MHz
- Multiple RF channels and thousands of system addresses prevent interference between systems
- Each keypad counts as 1 toward the basic system maximum of 31 RF devices (maximum devices can be increased to 100 if an SZ-CI-PRG is present in the system)

Environment:

- Ambient operating temperature: 32 - 104 °F (0 - 40 °C)
- Maximum 90% non-condensing relative humidity
- Indoor use only

Warranty:

- 1-year limited warranty standard. 2-year parts and labor warranty, with 8-year pro-rated parts replacement on systems that include factory startup. For more information: www.lutron.com/TechnicalDocumentLibrary/Warranty_CommercialSystems.pdf

Color Codes:

(Satin Colors®)

Button Color	Code
Biscuit	BI
Eggshell	ES
Merlot	MR
Midnight	MN
Sienna	SI
Snow	SW
Taupe	TP

Contact Lutron for other available finish options.

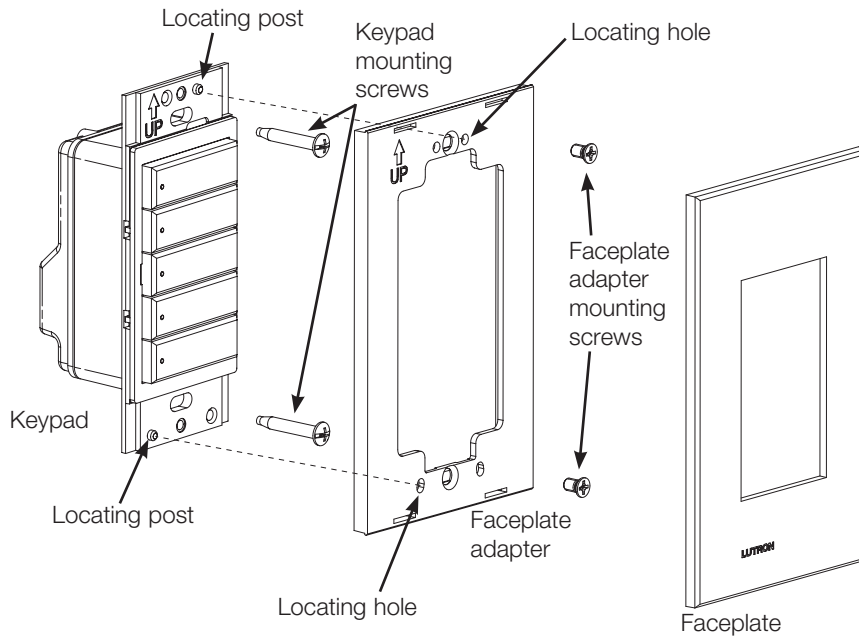
Engraving Codes:

Button Engraving	Code
Customer-specified	NST*
None (blank)	E00

*See www.lutron.com/stanza for engraving sheets required for customer-specified engraving

Job Name:	Model Numbers:
Job Number:	

Mounting



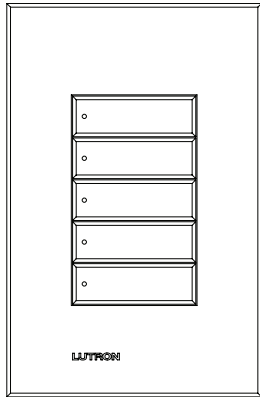
Ensure your customer will be happy by installing this product correctly so the switch protrudes from the faceplate.

- Ensure all devices are correctly wired and **loosely** fasten to the wallbox before installing or replacing faceplates.
- For installation with a recessed wallbox, use spacer shims (Lutron PN 257117) for proper support of control(s).
- For multigang installation, verify that the order of controls in the wallbox corresponds to the faceplate openings.
- Ensure controls and surrounding wall are free from debris (e.g. plaster, spackling compound) before installing adapter and faceplate.
- Attach Lutron Stanza® faceplate adapter and faceplate.
 - a. Align the locating posts on the control(s) to the holes in the adapter.
 - b. Install the adapter onto front of control(s) using the short screws provided. The faceplate adapter should be firmly against the control.
 - c. Tighten control mounting screws until faceplate adapter is flush to wall (do not over-tighten).
 - d. Snap faceplate onto faceplate adapter, and verify that control is aligned properly and switch(es) protrude(s) in front of the faceplate.
 - e. If control(s) is (are) misaligned or switch(es) is (are) flush with the faceplate, loosen control mounting screws appropriately.

Job Name:	Model Numbers:
Job Number:	

Dimensions

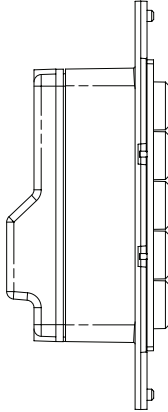
Front view (with Faceplate)



4.69 in
(119 mm)

3.06 in
(77 mm)

Side view

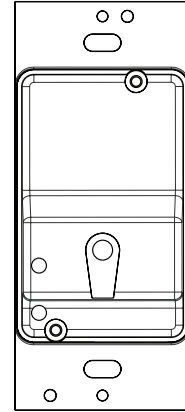


Faceplate not shown in side or rear views

1.5 in
(38 mm)

0.3 in
(7.5 mm)

Rear view



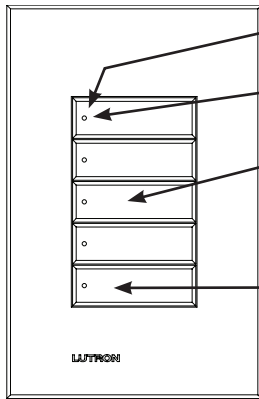
radius (x4)
0.2 in
(5.1 mm)

2.8 in
(71.1 mm)

1.8 in
(45.7 mm)

Job Name:	Model Numbers:
Job Number:	

Keypad Operation



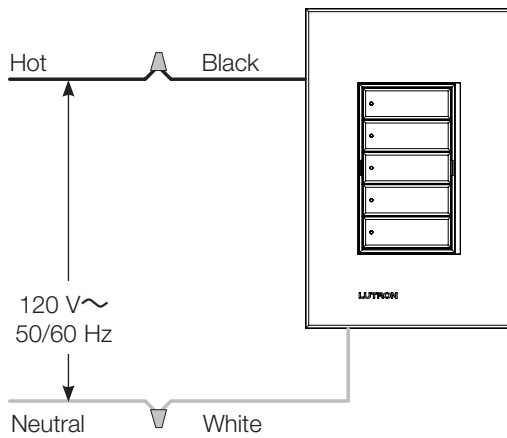
Status LEDs

- Indicate current scene selected
- All glow softly as night lights when scene is not selected

Keypad Buttons

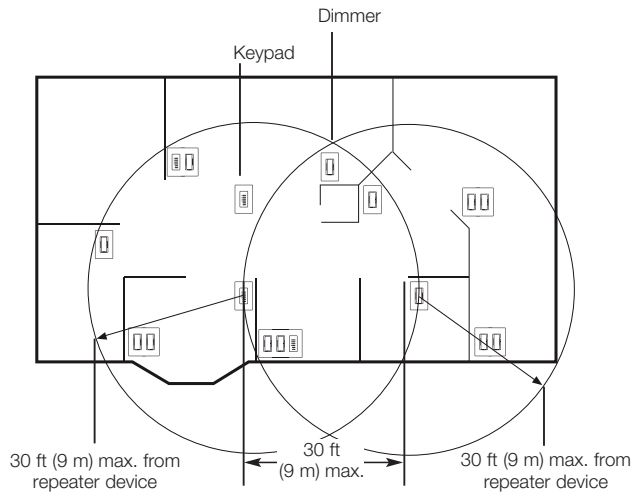
- Can be programmed to control one or more scenes or contact closure outputs
- Buttons are backlit for easy location in a darkened room
- Scene Select: Button press turns scene On
- Toggle: Alternately turns lights On (to scene) or Off

Wiring Diagram



Job Name:	Model Numbers:
Job Number:	

System Overview



System Communication Notes

- Stanza® RF devices must be located within 30 feet (9 m) of a Stanza® RF device configured as a repeater. Multiple devices configured as repeaters may be necessary to provide adequate coverage.
- Any Stanza® RF device can be configured as a repeater.
- A total of 5 devices maximum can be configured as repeaters.
- Devices configured as repeaters must be within 30 feet (9 m) of another device configured as a repeater.
- Stanza® lighting controls cannot be controlled wirelessly and Stanza® keypads will not function until they are addressed and programmed.

Feature	Basic System (no SZ-CI-PRG present)	Advanced System (with SZ-CI-PRG present)
Maximum devices	31	100
RS232 and/or Ethernet Interface Capability	No	Yes
PC Required for Device Replacement	No	Yes

Job Name:	Model Numbers:
Job Number:	