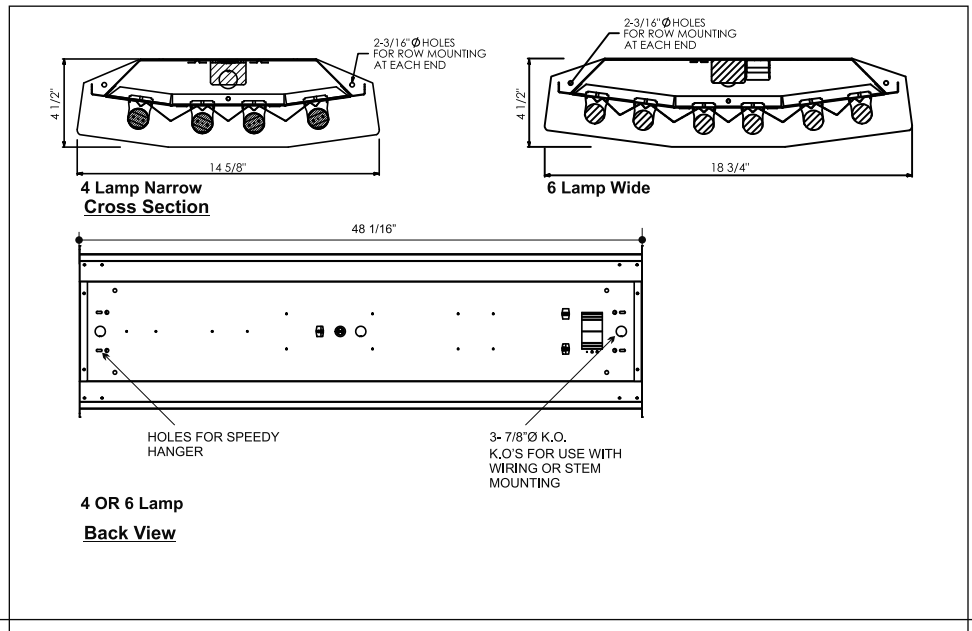




- HID alternative or replacement
- Replaces 250 or 400 watt fixtures
- Wide beam lighting distribution for general area lighting
- Surface, stem, or chain mountable
- Lutron dimming ballasts standard
- Dimming range 100% to 1% light level
- Universal input voltage 120/277 V
- High reflectance internal reflector (RM4)
- Wire guard hinges for easy maintenance
- Available with 4 or 6 lamps; T5 or T8 lamps
- Approved to UL and CSA standards



APPLICATIONS

Retail Stores / Manufacturing Areas / Warehouse Areas / Supermarkets / Large Storage Rooms

GENERAL DESCRIPTION

Fluorescent industrial fixture. Lighting distribution and energy efficiency makes this luminaire ideal as an HID substitute. Fluorescent lamps offer instant warm up and restrike as well as maintained lumen output. For use in indoor applications where high efficiency, high performance and ease of installation are required. Suitable for surface or suspended mounting individually or in continuous rows. High ceiling application. Standard RM4 high-reflectance (95%) specular anodized aluminum reflector.

CONSTRUCTION

Die and brake formed, 22 gauge cold rolled steel housing assembly. 20 gauge end caps may be butted together for continuous row mounting. Wiring access plate and knockouts are provided on back of housing.

MOUNTING

Speedy hangers, stem, or chain mounting options available.

FINISH

Powder painted white housing.

OPTICS

CNC formed multi-faceted optimized reflector is available in numerous finishes and materials. Enhanced specular aluminum is standard with 95% reflectance. A protective layer is removed during installation to ensure a clean, blemish free reflective surface.

ELECTRICAL

All electrical components are UL listed or CSA approved. See product selection for optional ballasts. Sufficient knockouts are provided for connections and through wiring.

APPROVALS

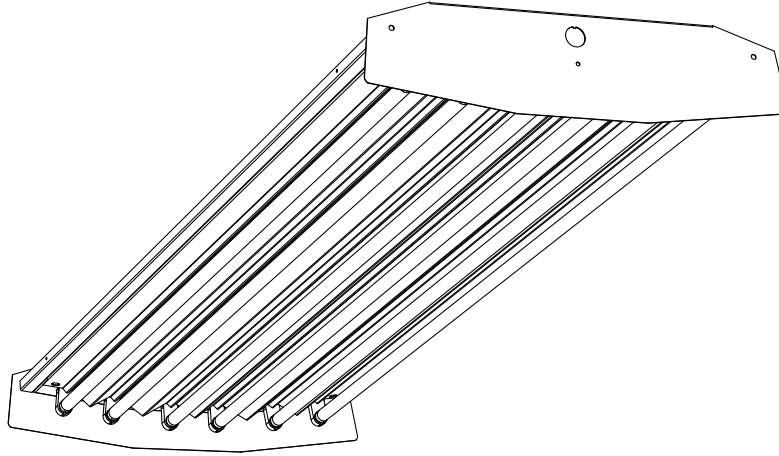
Approved to UL and CSA standards.

OPTIONS

- Solid full aluminum reflector 92% white
- Dimmable ballast
- Emergency ballast options
- No cartons - bulk packed and wrapped on pallets
- Wire guard available
- Available with 4 or 6 lamps; T5 or T8 lamps

ACCESSORIES

- Heavy duty wire guards powder coated white finish, comes with mounting hardware
- Wire guard hinges for easy maintenance
- Chain sets
- Stem and canopy sets
- Power and communication whips available



Models

Fixture Type	Lamps	Input Voltage
4-lamp T8	T8 32 W linear fluorescent	120/277 V~
6-lamp T8	T8 32 W linear fluorescent	120/277 V~
4-lamp T5	T5 HO 54 W linear fluorescent	120/277 V~
6-lamp T5	T5 HO 54 W linear fluorescent	120/277 V~

Technical support: USA, Canada, Caribbean: 1.800.523.9466
 Mexico: +1.888.235.2910
 Central/South America: +1.610.282.6701

Warranty: www.lutron.com/TechnicalDocumentLibrary/Warranty_CommercialSystems.pdf

Lutron and the sunburst logo are registered trademarks of Lutron Electronics Co., Inc.
 © 2011 Lutron Electronics Co., Inc.