

Wireless Daylight Sensor

Lutron's wireless daylight sensor is a battery-powered sensor that automatically controls lights via RF communication to compatible dimming or switching devices. This sensor mounts to the ceiling and measures light in the space. The sensor then wirelessly transmits the light level to the associated dimming or switching devices that automatically control the lights to balance light level in the space. The sensor combines both convenience and exceptional energy savings along with ease of installation.



Features

- Lutron's reliable proportional daylight open loop control
- Light range (0–10,000 fc)
- Photopic response matches human eye
- Designed to give a linear response to changes in viewed light level
- Wireless daylight sensor has simple calibration
- One sensor is capable of switching, stepped dimming, and continuous dimming of multiple zones
- Intuitive test mode provides instant system verification
- 10-year battery life
- Multiple ceiling mount methods available for different ceiling materials
- Works seamlessly with Radio Powr Savr™ Occupancy and Vacancy Sensors and Pico™ wireless controls
- Front accessible test buttons make setup easy
- Each sensor can be added to up to 10 compatible RF dimming and switching devices for spaces with multiple zones of lighting
- RoHS compliant
- Capable of override for a maximum of 2 hours

Models Available:

- LRF2-DCRB-WH 434 MHz *Daylight Sensor*

Compatible RF Devices:

- For use with Lutron® products only
- Communicates to the following wireless Lutron systems:
 - Maestro Wireless®
 - GRAFIK Eye® QS Wireless

Job Name: Job Number:	Model Numbers:
--	-----------------------

Specifications

Standards

- FCC Approved. Complies with the limits for a Class B digital device, pursuant to Part 15 of the FCC Rules.
- IC (RSS-210)
- SCT
- Meets CA Title 24 requirements

Power / Performance

- Operating voltage: 3 V_{DC}
- Operating current: 7 mA
- Requires one CR 2450 lithium battery
- 10-year battery life
- Non-volatile memory (settings are stored during power loss)

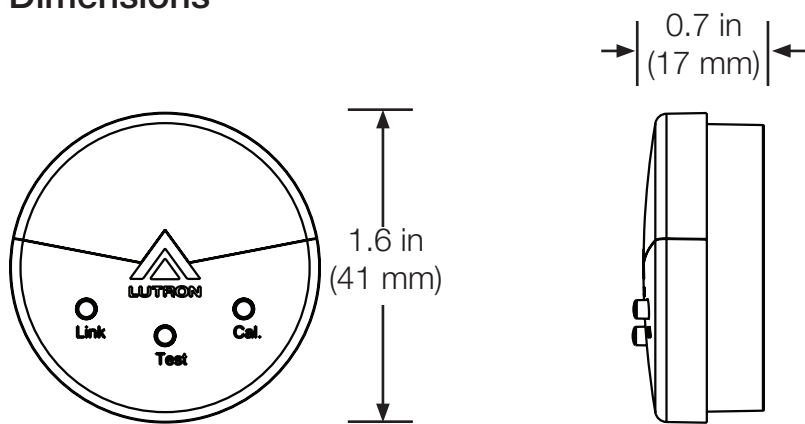
Environment

- Temperature: 32 °F to 104 °F (0 °C to 40 °C)
- 0-95% humidity, non-condensing.
- For indoor use only

Range

- Local load controls must be located within 60 ft (18 m) line of sight, or 30 ft (9 m) through walls, of a daylight sensor

Dimensions

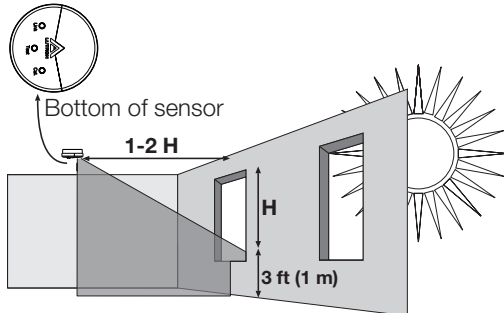


Job Name:	Model Numbers:
Job Number:	

Mounting

Location for average size areas

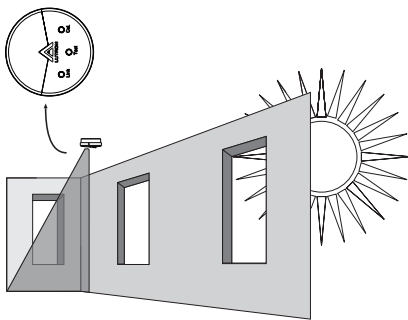
Arrow points towards the area viewed by the sensor
(towards windows)



H = Effective Window Height

Location for narrow areas (corridors, private offices)

Arrow points towards the area viewed by the sensor
(away from window)



Installation

Determine the Daylight Sensor Mounting Location using the diagrams at left:

- The arrow on the daylight sensor points toward the area viewed by the sensor.
- Place the daylight sensor so its viewing area is centered on the nearest window at a distance from the window of one to two times the effective window height (H).
- The effective window height (H) starts at the window sill or 3 ft (1 m) up from the floor, whichever is higher, and ends at the top of the window.
- Ensure that the view of the daylight sensor is not obstructed.
- Do not position the daylight sensor in the well of a skylight or above indirect lighting fixtures.
- For narrow areas where the daylight sensor cannot be placed 1-2 (H) from windows, place sensor near windows facing into the space.

Daylight Sensor Communication

- A sensor can communicate with up to 10 local load devices
- A single local load device or zone can have only one daylight sensor communicate to it

Job Name:

Model Numbers:

Job Number: