

Overview

Two issues to consider when using Infrared technology are interference and range.

IR INTERFERENCE

All GRAFIK Eye Control Units are equipped with an IR Receiver for use with GRX-IT and GRX-8IT handheld remote controls. The IR frequency for all GRAFIK Eye Control Units is 40.000 KHz. Any other device continuously operating in the frequency range from 30 KHz to 50 KHz may cause either no response or unwanted scene changes on the GRAFIK Eye Control Unit(s).

Every Infrared transmitter sends a burst of data that is then received on an Infrared Receiver. It is possible, and likely, that several Infrared Transmitters will operate at the same central frequency. However, it is the task of the manufacturer to encrypt this data so another IR Transmitter will not affect their equipment. In the case of the GRAFIK Eye, its encryption is extremely complex to reduce the possibility of other IR signals affecting the product.

Ballasts

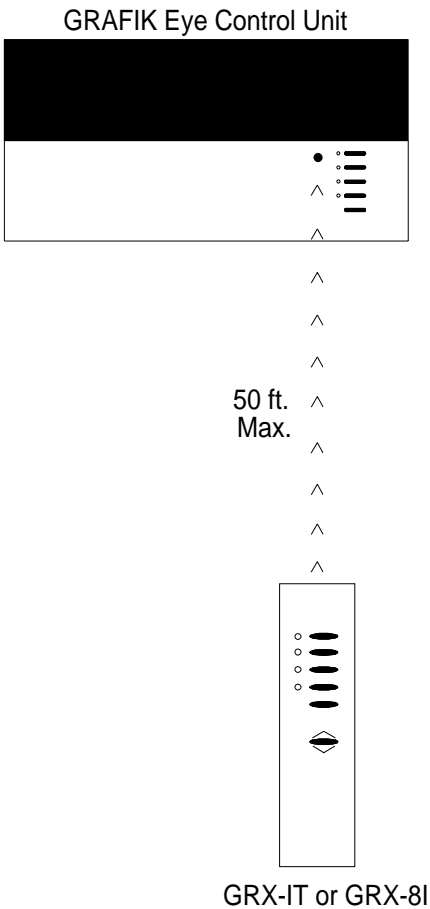
Fluorescent ballasts are a known cause of IR interference to the GRAFIK Eye. Lutron dimming ballasts have been thoroughly tested to ensure that there is no IR interference with the GRAFIK Eye. However, other manufacturer's ballasts may cause interference. It is the responsibility of the contractor to determine the operating frequency of the ballasts used on the project. Lutron takes no responsibility for ballast interference on the GRAFIK Eye system.

RANGES

Each Accessory Control used with a GRAFIK Eye Control Unit has its own range of operation.

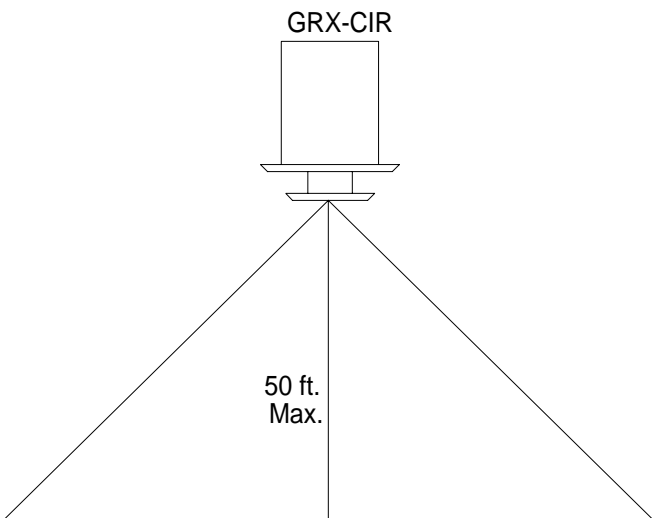
Wireless Remote Controls

The Wireless Remote Controls (GRX-IT and GRX-8IT) provide remote dimming or switching from the palm of your hand. An infrared transmitter in the remote control transmits signals to the infrared receiver unit. A signal can be transmitted up to a range of 50 ft and up to an angle of 10 degrees horizontally off the Control Unit. The remote controls require an unobstructed line-of-sight for sending the signal (the transmitter must be pointed directly at the receiver).



Ceiling-Mounted Infrared Receiver

The GRX-CIR, Ceiling-mounted Infrared Receiver, receives signals from the GRAFIK Eye Handheld Wireless Remote Controls (GRX-IT or GRX-8IT) to activate scenes on the GRAFIK Eye Control Unit. It requires an unobstructed line-of-sight for receiving the signal. The GRX-CIR offers 360° activation and a range of up to 50 feet.



Guidelines

1. DO NOT locate a GRX-CIR near ventilation ducts, lighting fixtures, or in direct sunlight.
2. Wireless Remote Control must have an unobstructed line-of-sight for sending signal to either the GRAFIK Eye Control Unit(s) or the Ceiling-Mounted Infrared Receiver.

Troubleshooting

Problem	Causes	Remedies
Wireless Remote Control has no effect on receiver unit	Control Unit power is off	Restore power
	Dead, low, or no batteries in Remote Control	Install new batteries in Remote Control
	Remote Control is too far away from receiver unit	Move to within 50 feet of receiver unit
	Remote Control is too far to the side of the receiver unit	Move towards the front of the receiver unit
	Batteries inserted incorrectly	Reinstall batteries
	Slow fade time on GRAFIK Eye Control Unit	Check fade time and allow time for GRAFIK Eye Control Unit to respond to Remote Control
	Same scene selected twice	Select another scene

Additional Information

World Headquarters

Lutron Electronics Co., Inc.
 7200 Suter Road
 Coopersburg, PA 18036-1299 U.S.A.
TOLL FREE: (800) 523-9466 (U.S.A., Canada, and the Caribbean)
 Tel: (610) 282-3800; International 1610 282-3800
 Fax: (610) 282-3090; International 1610 282-3090

European Headquarters

Lutron EA LTD
 Lutron House
 6 Sovereign Close
 Wapping
 London, E1 9HW England
FREEPHONE: 0800 282107 (U.K.)
 Tel: (0171) 702-0657; International 44-171-702-0657
 Fax: (0171) 480-6899; International 44-171-480-6899

Hong Kong Office

Tel: 2593-1119; International 852-2593-1119
 Fax: 2593-1197; International 852-2593-1197

Singapore Office

Tel: 487-2820; International 65-487-2820
 Fax: 487-2825; International 65-487-2825

Japan Office

Lutron Asuka Corporation K.K.
 Kowa Shibakoen Bldg. 2nd Floor
 1-1-11 Shibakoen
 Minato-ku, Tokyo 105-0011, Japan
TOLL FREE: (0120) 083417 (Japan)
 Tel: International 81 3 5405 7333
 Fax: International 81 3 5405 7496

Worldwide Technical and Sales Assistance

If you need technical assistance, call the toll-free **Lutron Technical Assistance Hotline**. Please provide exact model number when calling. (800) 523-9466 (U.S.A., Canada and the Caribbean)
 Other countries call:
 Tel: (610) 282-3800; International: 1 610 282-3800
 Fax: (610) 282-3090; International: 1 610 282-1243
 Our address on the Web is www.lutron.com

Lutron and GRAFIK Eye are registered trademarks of Lutron Electronics Co., Inc.