

EVOKE 2.9" LED SQUARE DOWNLIGHT

E2.9SD
LED

APPLICATION:

Commercial and retail ambient lighting

HOUSING CONSTRUCTION:

20 ga. steel painted matte black
Formed aperture plate with $\frac{5}{8}$ " lip
Integral adjustable locking mounting bars
Thermally protected
Sliding mechanism allows for servicing of LED driver
Extruded aluminum heat sink

OPTICS:

LED Cluster:
Color Temperature: 2950k-3150k warm white
CRI: 85
Lumen Output: 910
Beam Angle: 60° (s/mh = 1.0)
Life: 50,000 hr at 70% initial lumen output

REFLECTOR CONSTRUCTION:

Die-cast aluminum seamless self-flanged trim
Painted finishes include matte white and optical matte black with matte white flange
Spring steel mounting clips

MOUNTING:

For use in T-grid or sheet rock ceilings
Max. ceiling thickness - 1"

LABELING:



Damp location

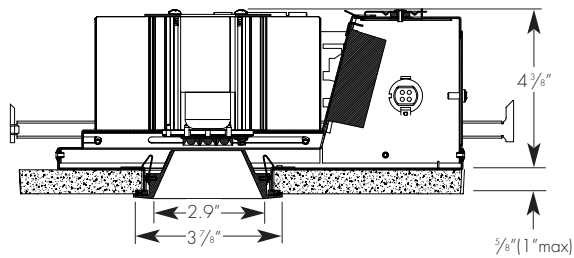
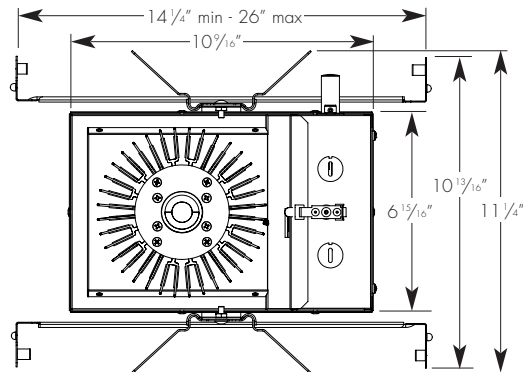


PROJECT:

TYPE:

ecotECTURAL

Architectural lighting for sustainable design.



Ceiling cut out dimension: $3\frac{7}{8}$ " sq.

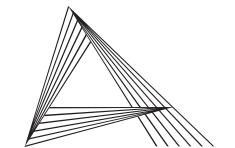
ELECTRICAL

Lamping

Driver*		Input volts	Amps
Electronic	120v	25	.22
	277v	25	.10

*Class 2 constant current driver

Amerlux reserves the right to change details that do not affect overall function and performance.



AMERLUX
LIGHTING SOLUTIONS

ADAPT. ABILITY.™

ORDERING INFORMATION:

HOUSING Model #	Wattage	Lamp Type	Voltage	Color Temperature	Options	REFLECTOR Model #	Aperture Finish
E2.9SD	25	LED - light emitting diode	120 277	3000	DIM - dimming	E2.9SD	Reflector with White Painted Flange MBW - matte black MWW - matte white

Complete Unit Specification: E2.9SD-25-LED-120-3000/E2.9SD-MWWW

Housing Only: E2.9SD-25-LED-120-3000

Reflector Only: E2.9SD-MWWW

Cat #:

EVOKE 2.9" LED SQUARE DOWNLIGHT

E2.9SD
LED



TYPE:

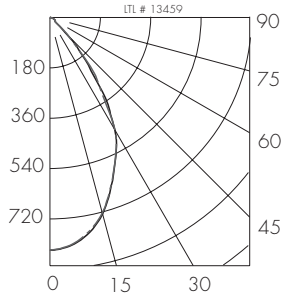
ecotECTURAL
Architectural lighting for sustainable design.



FIXTURE DATA:

Complete photometric data (.ies format) available upon request.

25W LED CLUSTER

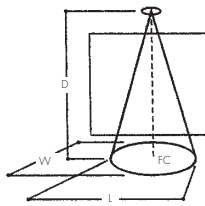


Candelas at Nadir	
Deg	Candela
0	830
5	820
15	727
25	555
35	332
45	85

APPLICATION DATA:

Notes and Definitions:

- Beam spread is to 50% center beam candlepower (CBCP).
- D=Distance to floor or wall.
- FC=Footcandles on floor or wall at center beam aiming location.
- L=Effective Visual Beam length in feet (50% of maximum footcandle level).
- W=Effective Visual Beam width in feet (50% of maximum footcandle level).
- CB=Distance across or down to center beam location.



0° Aiming Angle
Horizontal
Footcandles

D	FC	L	W
5.0'	32	4.9	4.9
7.5'	14	7.2	7.2
10.0'	8	9.7	9.7
12.5'	5	12.4	12.4

MULTIPLE UNIT DATA

On Center Spacing	Initial Footcandles	Room Size
6'	25	36'x36'
8'	15	48'x48'
10'	10	60'x60'

Initial Footcandles = average illuminance on floor
80/50/20% Reflectances
Ceiling Height = 10'