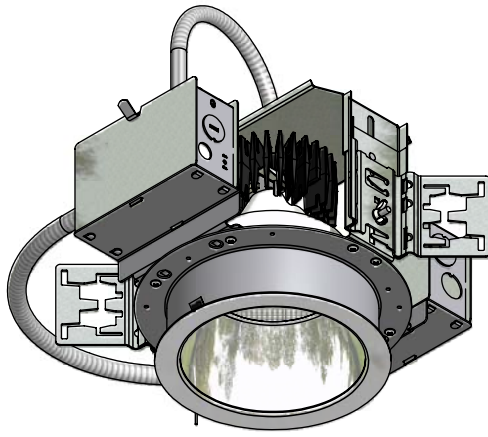


Type  
---

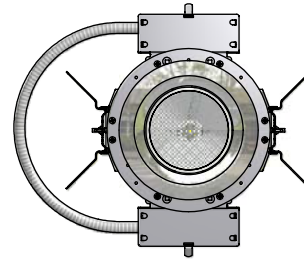
Date  
--/--/--

OCEAN STATE  
LIGHTING



# 6LE-PO SERIES

DOWNLIGHT  
LED (LIGHT EMITTING DIODE)  
PAR LAMP STYLE OPTICS  
RECESSED



RECESSED LED

## OPTIONS:

### Lamp Options:

Fixtures are preconfigured with LED Arrays that produce Lumen output of:

- 665 - 665 Lumens - Lamina Titan® Warm White
- 1070 - 1070 Lumens - Lamina Titan® Cool White
- 1300 - 1300 Lumens - Lamina Titan Turbo TruColor®
- 1560 - 1560 Lumens - Lamina Titan Turbo TruColor®

### Reflector Options:

- HZ - Haze anodized (Standard)
- CL - Clear anodized
- CA - Champagne anodized
- GA - Gold anodized
- GM - Gun metal anodized
- PA - Pewter anodized
- SA - Straw anodized
- UA - Umber anodized
- WA - Wheat anodized
- BLK - Painted black
- WHT - Painted white

### Color Temperature Options:

- WW - Warm White approx. 3000K
- CW - Cool White approx. 5000K

### Beam Spread Options:

- 20° - 3'-6" dia @ 10' height
- 30° - 5'-2" dia @ 10' height
- 45° - 10'-0" dia @ 10' height

### Voltage Options:

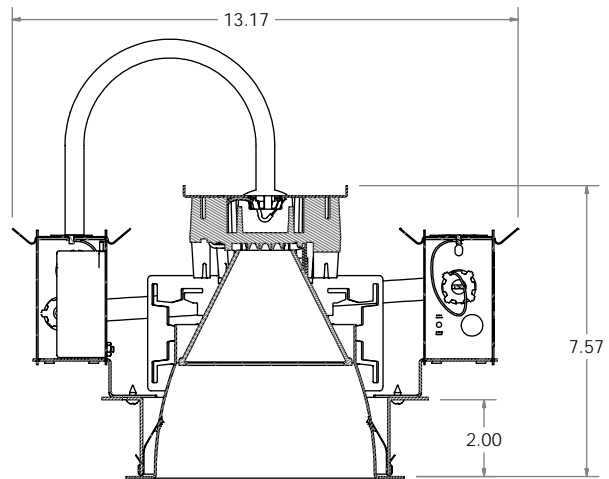
- UNV - Universal voltage - 120-277v

### Electrical Options:

- GLR - In line fusing

### Other Options: (Consult Factory)

- BH - T-Bar / plaster hanging assemblies
- SSA - Slope Ceiling Adapter  
(Specify degree in 5° increments from 10 - 45°)



## PRODUCT SPECIFICATION DATA:

Low iridescent specular Alzak® reflector. Polished trim flange is standard. Matte white trim or other colors available - consult factory. Capable of mounting in 2" thick ceiling.

Integral heat sink (extruded aluminum) provide 70% average lumen maintenance at 50,000 hrs.

14 gauge galvanized junction box with snap-on covers. Suitable for through wiring (4in/4out) #12 AWG

Fixture should be installed in applications where ambient temperatures do not exceed 50°C.

Factory wired for ease in installation. LED Driver accessible from below ceiling.

Fixtures are UL/CUL listed, and have **standard electric LED Drivers**.

Each fixture is tested at the factory before shipment.

## ORDERING INFORMATION

Series	Aperture	Lumen Output	Reflector	Color Temp	Beam Spread	Voltage	Electrical
6LE-PO	6	---	HZ	---	---	UNV	---
6LE-PO LED Vertical	6	665 1070 1300 1560	HZ (Standard) CL CA GA GM PA SA UA WA BLK Painted Black WHT Painted White	WW Warm White CW Cool White	20° 30° 45°  (Consult Factory for availability)	UNV Universal Voltage	GLR In Line Fusing BH SSA



# 6LE-PO SERIES

DOWNLIGHT  
LED (LIGHT EMITTING DIODE)  
PAR LAMP STYLE OPTICS  
RECESSED

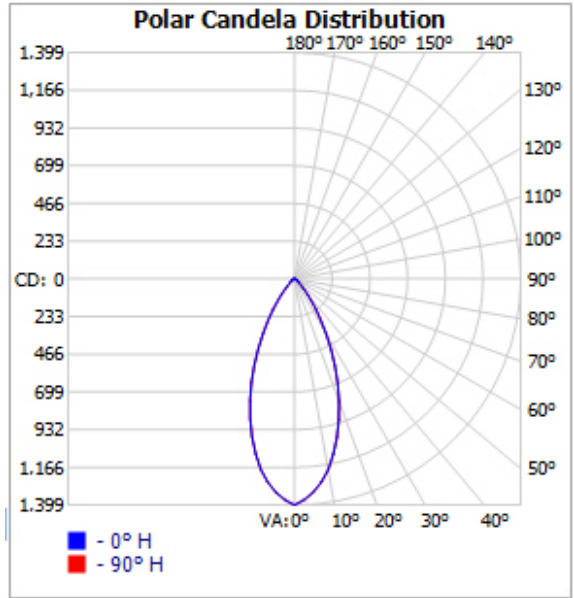
## PHOTOMETRICS

6LE-6-1300-HZ-45°

### Coefficients Of Utilization - Zonal Cavity Method

Effective Floor Cavity Reflectance: 20%

RCC %:	80		70		50		30		10		0							
RW %:	70	50	30	0	70	50	30	0	50	30	0	50						
RCR: 0	84	84	84	84	82	82	82	82	78	78	78	75	75	75	72	72	72	70
1	80	78	76	73	78	76	74	72	73	72	70	71	70	68	68	67	66	67
2	76	72	69	66	74	71	68	65	69	67	64	67	65	63	65	63	61	64
3	72	67	64	60	70	66	63	59	65	62	59	63	61	58	61	59	57	60
4	68	63	59	55	67	62	59	55	61	58	54	59	57	54	58	56	53	57
5	65	59	55	51	64	59	55	51	57	54	50	56	53	50	55	53	50	55
6	62	56	52	47	61	55	51	47	54	51	47	53	50	47	52	50	47	52
7	59	53	48	44	58	52	48	44	51	48	44	50	47	44	50	47	44	49
8	56	50	46	42	56	49	46	42	49	45	42	48	45	41	47	44	41	47
9	54	47	43	39	53	47	43	39	46	43	39	46	42	39	45	42	39	45
10	52	45	41	37	51	45	41	37	44	41	37	44	40	37	43	40	37	43



CONSULT FACTORY FOR PHOTOMETRIC DATA ON FIXTURE CONFIGURATIONS NOT SHOWN.

## OPTIC AND REFLECTOR ATTACHMENT

