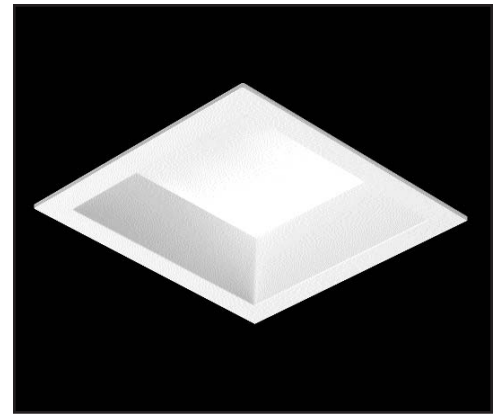


USA ILLUMINATION™

USAI, LLC

1126 River Road, New Windsor, NY 12553
Tel. 845-565-8500 Fax: 845-561-1130 email: info@usaillumination.com
www.usaillumination.com



CATALOG NUMBER

3010-LST930-NC

CEILING CUTOUT

5" x 5" SQUARE

LIGHT ENGINE

24W, 3050K, \pm 100K, 85+CRI
HIGH POWER
WHITE LEDS ATTACHED TO
DIE CAST ALUMINUM
HEATSINK.

OPTICS

TWO PIECE PROPRIETARY
LOW GLARE BLENDED
OPTICAL LENS ASSEMBLY
WITH INJECTION MOLDED,
POLYCARBONATE
SPECULAR REFLECTOR.
MAXIMIZED FOR 30° BEAM
DISTRIBUTION.

JUNCTION BOX

16 GA.
GALVANIZED STEEL.
THRU-WIRE JUNCTION
BOX, 3 IN 3 OUT AT
MIN. 90° C, #12 AWG
THRU BRANCH
CIRCUIT WIRING.

DRIVER

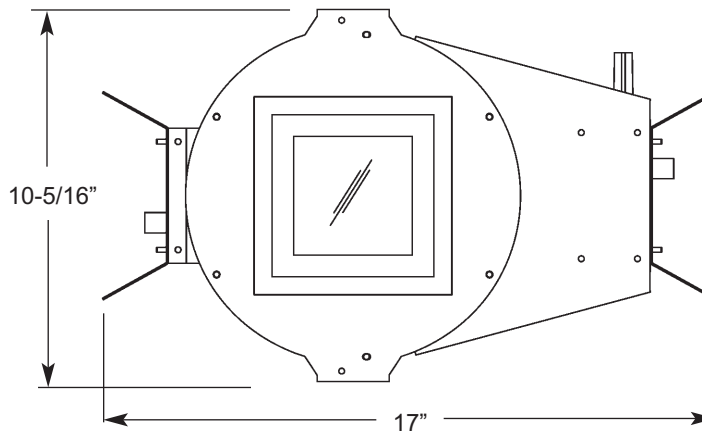
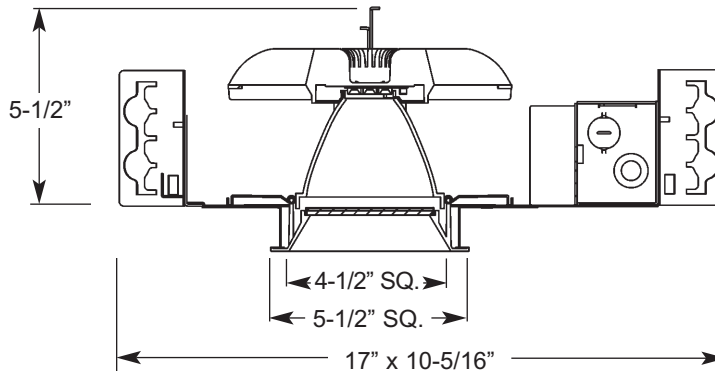
SOLID STATE ELECTRONIC,
CONSTANT CURRENT.
HIGH POWER FACTOR.
SPECIFY 120V OR 277V.

OPTIONAL DIMMING

DIMMING DRIVERS
OPTIONALLY AVAILABLE.
SPECIFY LUTRON
HI-LUME/ECO-SYS
DIMMING SYSTEMS
OR 0-10V LOW VOLTAGE
DIMMING SYSTEMS.

BeveLED SQUARE 30° Downlight

LED Damp & Dry Application



ALL-WAYS SQUARE™ HOUSING

ALLOWS ALIGNMENT OF SQUARE APERTURE
(UP TO 45° ROTATION) AFTER HOUSING
INSTALLATION AND PRIOR TO CEILING
INSTALLATION. PATENT PENDING
DIE FORMED 20 GA. GALVANIZED STEEL
ROUGH-IN FRAME

NOTE: FIXTURE SHOULD BE INSTALLED IN
APPLICATIONS WHERE AMBIENT TEMPERATURES
DO NOT EXCEED 40° C DURING NORMAL OPERATION.

TRIM MATERIAL

DIE CAST ALUMINUM

TRIM RETENTION

TWO TORSION SPRINGS
SECURE TRIM TO
HOUSING. MAXIMUM
CEILING THICKNESS 1".

FINISHES

10 - WHITE
21 - BLACK
28 - METALIZED GREY

MOUNTING

BUTTERFLY BRACKETS
AND ADJUSTABLE NAILER
BARS WITH INTEGRAL
NAILS PROVIDED. NAILER
BARS ARE EXTENDIBLE
FROM 14" TO 24" CENTERS.
C-CHANNEL MOUNTING
BARS ARE AVAILABLE AS
ACCESSORIES.

LISTINGS

UL OR CSA LISTED FOR
DRY / DAMP LOCATION
IBEW UNION MADE

ACCESSORIES

CB27 - 27"C-CHANNEL BARS
CB52 - 52"C-CHANNEL BARS

ORDERING INFO.

PLEASE CONSULT OUR WEBSITE
AT WWW.USAILLUMINATION.COM
FOR ANY CHANGE IN SPECIFICATION. 03/09

TRIM _____

PROJECT _____

TYPE _____

TRIM - FINISH - VOLTAGE

USA ILLUMINATION™

USAI, LLC

1126 River Road, New Windsor, NY 12553

Tel. 845-565-8500 Fax: 845-561-1130 email: info@usaillumination.com
www.usaillumination.com

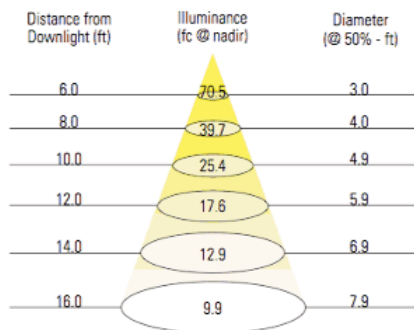
PHOTOMETRIC DATA

3010-LST930-NC

PERFORMANCE DATA

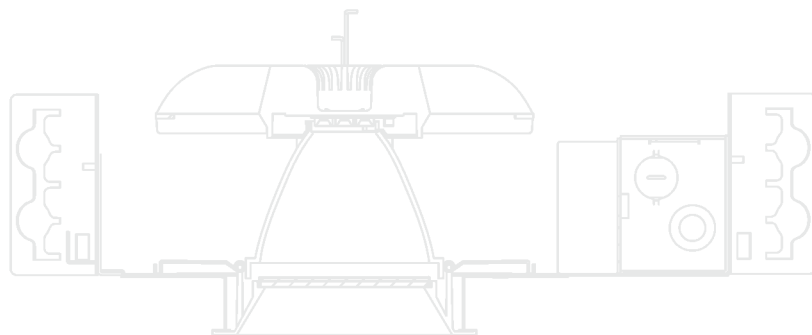
3010-LST930-NC

24W LED: 30-degree



ITL Report: 13154

Tested in accordance with IESNA LM-79 standards



Actual results may vary. All dimensions and data subject to change.