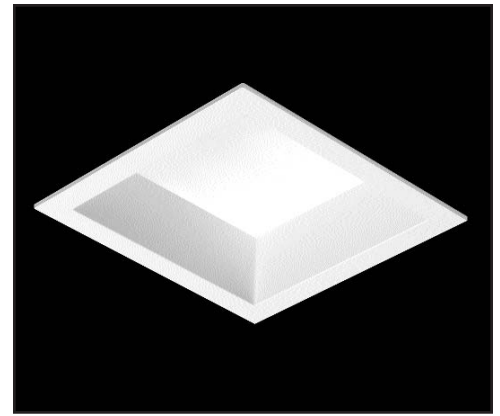


# USA ILLUMINATION™

USAI, LLC

1126 River Road, New Windsor, NY 12553  
Tel. 845-565-8500 Fax: 845-561-1130 email: info@usaillumination.com  
www.usaillumination.com



CATALOG NUMBER

**3010-LST930-NC**

## CEILING CUTOUT

5" x 5" SQUARE

## LIGHT ENGINE

24W, 3050K, ±100K, 85+CRI  
HIGH POWER  
WHITE LEDS ATTACHED TO  
DIE CAST ALUMINUM  
HEATSINK.

## OPTICS

TWO PIECE PROPRIETARY  
LOW GLARE BLENDED  
OPTICAL LENS ASSEMBLY  
WITH INJECTION MOLDED,  
POLYCARBONATE  
SPECULAR REFLECTOR.  
MAXIMIZED FOR 30° BEAM  
DISTRIBUTION.

## JUNCTION BOX

16 GA.  
GALVANIZED STEEL.  
THRU-WIRE JUNCTION  
BOX, 3 IN 3 OUT AT  
MIN. 90° C, #12 AWG  
THRU BRANCH  
CIRCUIT WIRING.

## DRIVER

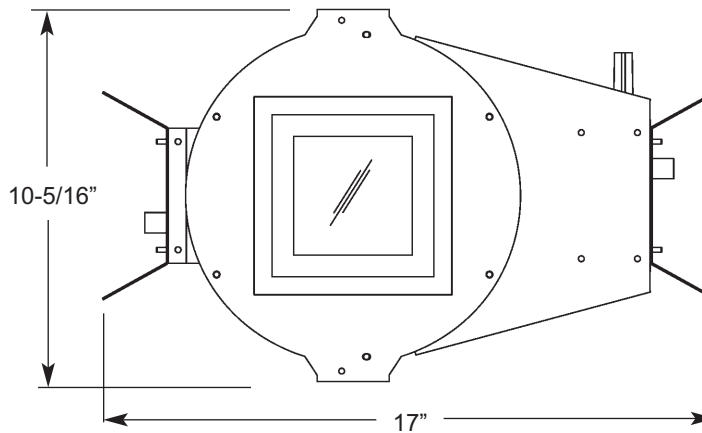
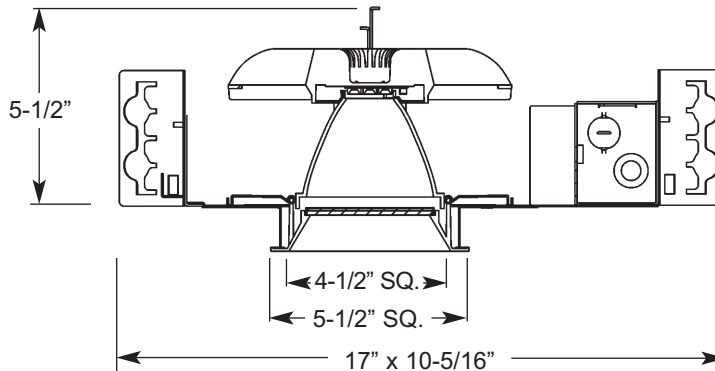
SOLID STATE ELECTRONIC,  
CONSTANT CURRENT.  
HIGH POWER FACTOR.  
SPECIFY 120V OR 277V.

## OPTIONAL DIMMING

DIMMING DRIVERS  
OPTIONALLY AVAILABLE.  
SPECIFY LUTRON  
HI-LUME/ECO-SYS  
DIMMING SYSTEMS  
OR 0-10V LOW VOLTAGE  
DIMMING SYSTEMS.

## BeveLED SQUARE 30° Downlight

### LED Damp & Dry Application



## ALL-WAYS SQUARE™ HOUSING

ALLOWS ALIGNMENT OF SQUARE APERTURE  
(UP TO 45° ROTATION) AFTER HOUSING  
INSTALLATION AND PRIOR TO CEILING  
INSTALLATION. PATENT PENDING  
DIE FORMED 20 GA. GALVANIZED STEEL  
ROUGH-IN FRAME

**NOTE:** FIXTURE SHOULD BE INSTALLED IN  
APPLICATIONS WHERE AMBIENT TEMPERATURES  
DO NOT EXCEED 40° C DURING NORMAL OPERATION.

## TRIM MATERIAL

DIE CAST ALUMINUM

## TRIM RETENTION

TWO TORSION SPRINGS  
SECURE TRIM TO  
HOUSING. MAXIMUM  
CEILING THICKNESS 1".

## FINISHES

10 - WHITE  
21 - BLACK  
28 - METALIZED GREY

## MOUNTING

BUTTERFLY BRACKETS  
AND ADJUSTABLE NAILER  
BARS WITH INTEGRAL  
NAILS PROVIDED. NAILER  
BARS ARE EXTENDIBLE  
FROM 14" TO 24" CENTERS.  
C-CHANNEL MOUNTING  
BARS ARE AVAILABLE AS  
ACCESSORIES.

## LISTINGS

UL OR CSA LISTED FOR  
DRY / DAMP LOCATION  
IBEW UNION MADE

## ACCESSORIES

CB27 - 27"C-CHANNEL BARS  
CB52 - 52"C-CHANNEL BARS

## ORDERING INFO.

PLEASE CONSULT OUR WEBSITE  
AT WWW.USAILLUMINATION.COM  
FOR ANY CHANGE IN SPECIFICATION. 03/09

TRIM \_\_\_\_\_

PROJECT \_\_\_\_\_

TYPE \_\_\_\_\_

TRIM - FINISH - VOLTAGE

# USA ILLUMINATION™

USAI, LLC

1126 River Road, New Windsor, NY 12553

Tel. 845-565-8500 Fax: 845-561-1130 email: info@usaillumination.com

www.usaillumination.com

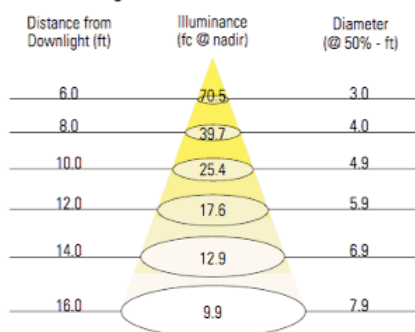
## PHOTOMETRIC DATA

### 3010-LST930-NC

# PERFORMANCE DATA

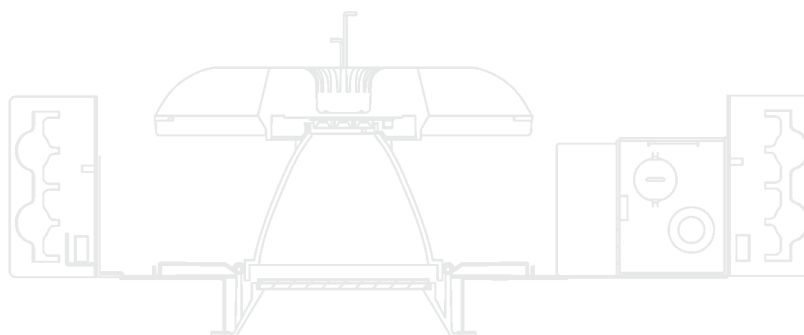
#### 3010-LST930-NC

##### 24W LED: 30-degree



ITL Report: 13154

Tested in accordance with IESNA LM-79 standards



Actual results may vary. All dimensions and data subject to change.