

# USA ILLUMINATION™

USAI, LLC

1126 River Road, New Windsor, NY 12553  
Tel. 845-565-8500 Fax: 845-561-1130 email: info@usaillumination.com  
www.usaillumination.com



CATALOG NUMBER

**3020-LRT950-NC**

## BeveLED ROUND 50° Downlight

LED  
Damp & Dry Application

### CEILING CUTOUT

5" Ø

### LIGHT ENGINE

24W, 3050K, ±100K, 85+CRI  
HIGH POWER  
WHITE LEDS ATTACHED TO  
DIE CAST ALUMINUM  
HEATSINK.

### OPTICS

TWO PIECE PROPRIETARY  
LOW GLARE BLENDED  
OPTICAL LENS ASSEMBLY  
WITH INJECTION MOLDED,  
POLYCARBONATE  
SPECULAR REFLECTOR.  
MAXIMIZED FOR 50° BEAM  
DISTRIBUTION.

### JUNCTION BOX

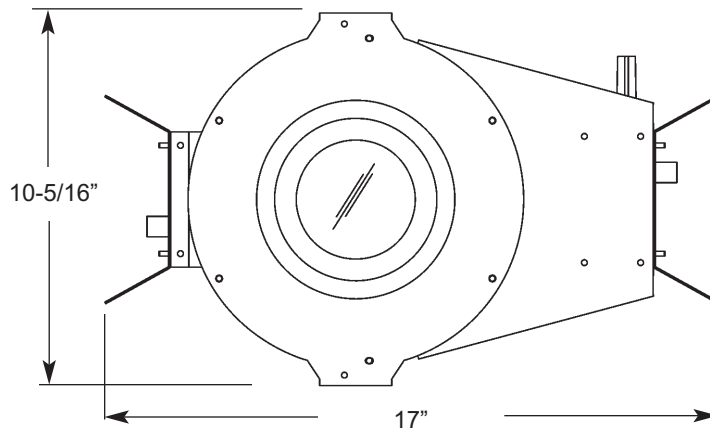
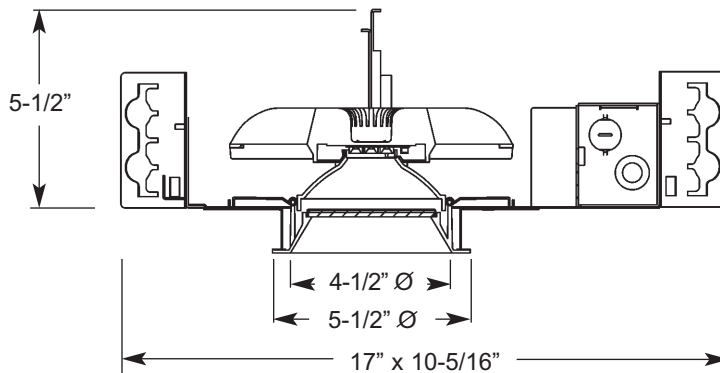
16 GA.  
GALVANIZED STEEL.  
THRU-WIRE JUNCTION  
BOX, 3 IN 3 OUT AT  
MIN. 90° C, #12 AWG  
THRU BRANCH  
CIRCUIT WIRING.

### DRIVER

SOLID STATE ELECTRONIC,  
CONSTANT CURRENT.  
HIGH POWER FACTOR.  
SPECIFY 120V OR 277V.

### OPTIONAL DIMMING

DIMMING DRIVERS  
OPTIONALLY AVAILABLE.  
SPECIFY LUTRON  
HI-LUME/ECO-SYS  
DIMMING SYSTEMS  
OR 0-10V LOW VOLTAGE  
DIMMING SYSTEMS.



### HOUSING

DIE FORMED 20 GA. GALVANIZED STEEL  
ROUGH-IN FRAME

**NOTE:** FIXTURE SHOULD BE INSTALLED IN  
APPLICATIONS WHERE AMBIENT TEMPERATURES  
DO NOT EXCEED 40° C DURING NORMAL OPERATION.

PLEASE CONSULT OUR WEBSITE AT [WWW.USAILLUMINATION.COM](http://WWW.USAILLUMINATION.COM)  
FOR ANY CHANGE IN SPECIFICATIONS

### TRIM MATERIAL

DIE CAST ALUMINUM

### TRIM RETENTION

TWO TORSION SPRINGS  
SECURE TRIM TO  
HOUSING. MAXIMUM  
CEILING THICKNESS 1".

### FINISHES

10 - WHITE  
21 - BLACK  
28 - METALIZED GREY

### MOUNTING

BUTTERFLY BRACKETS  
AND ADJUSTABLE NAILER  
BARS WITH INTEGRAL  
NAILS PROVIDED. NAILER  
BARS ARE EXTENDIBLE  
FROM 14" TO 24" CENTERS.  
C-CHANNEL MOUNTING  
BARS ARE AVAILABLE AS  
ACCESSORIES.

### LISTINGS

UL LISTED FOR  
DRY / DAMP LOCATION  
IBEW UNION MADE

### ACCESSORIES

CB27 - 27°C-CHANNEL BARS  
CB52 - 52°C-CHANNEL BARS

### ORDERING INFO.

TRIM \_\_\_\_\_

PROJECT \_\_\_\_\_

TRIM - FINISH - VOLTAGE  
TYPE \_\_\_\_\_

03/09

# USA ILLUMINATION™

USAI, LLC

1126 River Road, New Windsor, NY 12553  
Tel. 845-565-8500 Fax: 845-561-1130 email: info@usaillumination.com  
www.usaillumination.com

## PHOTOMETRIC DATA

### 3020-LRT950-NC

#### 3020-LRT950-NC

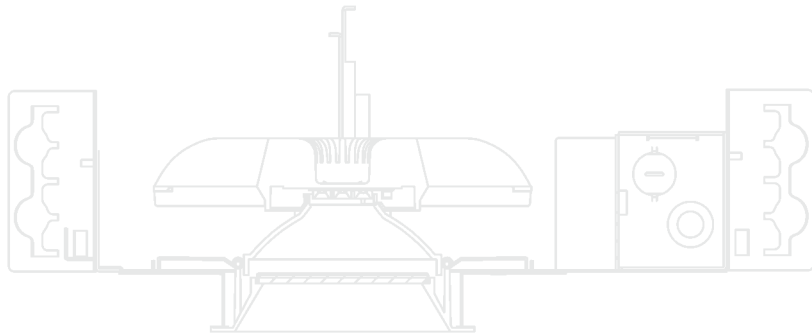
# PERFORMANCE DATA

LTL TEST #14228

CIRCLE-OF-LIGHT

Ft below	FC nadir	Dia @ 50%
6.0	21.8	4.9
8.0	13.9	6.5
10.0	8.9	8.1
12.0	6.2	9.8
14.0	4.5	11.4
16.0	3.5	13.0

Tested in accordance with IESNA LM-79 standards



Actual results may vary. All dimensions and data subject to change.