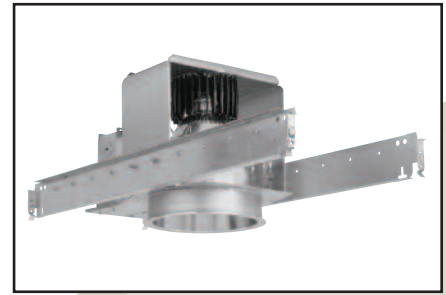


# OM6LED

## 6" LED Downlights with MesoOptics®

CAT. NO:

TYPE: PROJECT:



### PRODUCT INFORMATION

#### Applications

The Omega OM6LED provides unprecedented glare and brightness control. The OM6LED is suitable for a wide range of applications such as, restaurants, lobbies, hotel, medical facilities, offices, retail or residential.

#### Specifications

1. **Optics** - Units feature a two-piece optical assembly. The upper optic is a precision tooled integration chamber designed to maximize efficiency from the LED array. The lower optic is precision spun .051 low brightness aluminum, self flanged with clear specular Alzak finish. ( optional finishes available) MesoOptic lens is gasketed and held between the integration chamber and lower optic. This seals the upper optic and prevents debris and dust from entering the optical source. Various optics available depending on desired beam distribution. Entire optical assembly may be removed without tools from below the ceiling for access to the light engine and/or power supply.

2. **Light Engine** - All units are powered by the Lamina TitanTurbo TruColor™ LED light engine. This innovative source provides Ultra Bright White Light and superior color. This array features an enhanced red and orange color spectrum that makes them ideal for halogen or incandescent replacements. Utilizing Lamina's proprietary AccuBin technology ensures unprecedented consistency across a wide range of criteria, including color control. Superior thermal performance offers long-life, high-lumen maintenance and outstanding reliability. Designed to provide 70% lumen maintenance at 50,000 hours. Typical Lumens - 1040 lm. Typical CRI - 85. Color Temperature - 3,050K +/-100. Fixtures should be installed in applications where ambient temperatures do not exceed 40°C (104°F) during operation.

3. **LED Driver/Power Supply** - Integral, high efficiency driver and power supply choice of 120 or 277 Volt input, 50/60hz.

Input watts - 25. Power factor - > .90 at full load. Drive Current - 2000 ma. Class 2 power supply. Optional 0-10V dimming control available. Provides dimming down to 25%.

4. **Housing** - Precision die-stamped 18 gauge steel mounting pan with aluminum yoke assembly for thermal management. Integral die cast aluminum heat sink conducts heat away from LED light engine. Accommodates ceiling materials up to 1-3/8" thick.

5. **Installation** - Housings feature Omega Revelation C-Channels with vertical and horizontal adjustment. Channels are factory set for typical 2' T-grid construction and 1/2" ceiling. Adjustment may be made above or below ceiling.

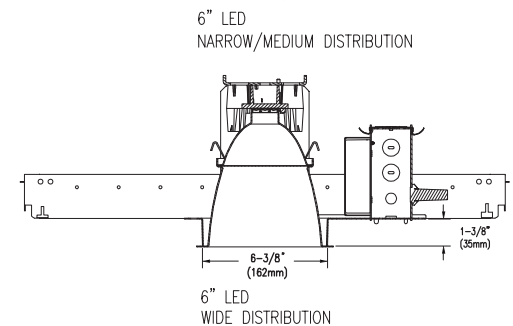
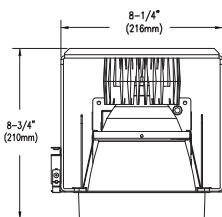
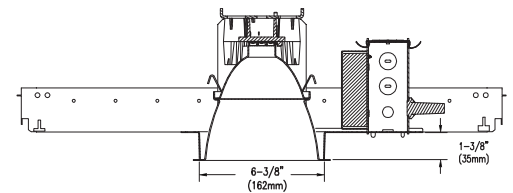
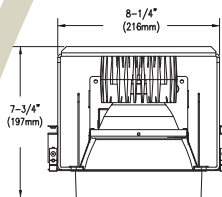
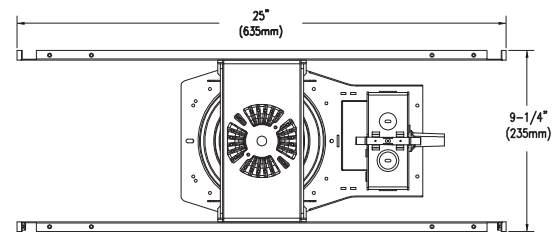
6. **Junction box** - Extra large 43.75-cubic inch 16 gauge galvanized steel with snap-on covers. Approved for through wiring with up to 8 #12 AWG conductors.

7. **c/ETL Listed** - Suitable for use in damp locations and approved for Through Branch Circuit Wiring. Non IC rated. I.B.E.W. union made.

Canadian Specifications may vary from these shown, consult Canadian Division.



6



### CATALOG SYSTEM AND OPTIONS

EXAMPLE OF COMPLETE CATALOG NUMBER: **OM6LED10-3KNDCS-120**

OMEGA Apr.	Lumens	Color Temp	Distribution <sup>1</sup>	Reflector Finish	Supply Voltage	Options
OM6LED	10 - 1040	3K - 3050K	ND - Narrow MD - Medium WD - Wide	CS Clear Specular CSS Clear Semi-Specular HZ Haze GS Gold Specular WT Wheat PW Pewter BZ Bronze WH White BB - Black Baffle FF Finish Flange (as suffix to color)	120 - 120VAC 277 - 277VAC	DIM - Dimming  OMLED103KIT - Replacement LED with heat sink (ordered separately)



FIVE YEAR  
Warranty

1. Distribution not available with Black Baffle option.