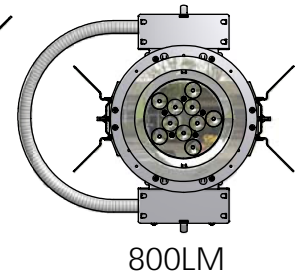
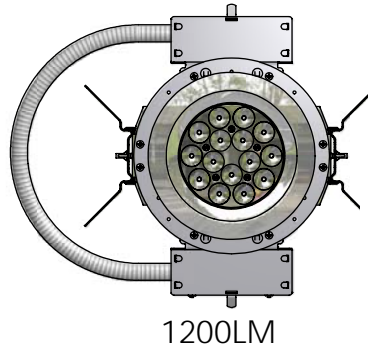
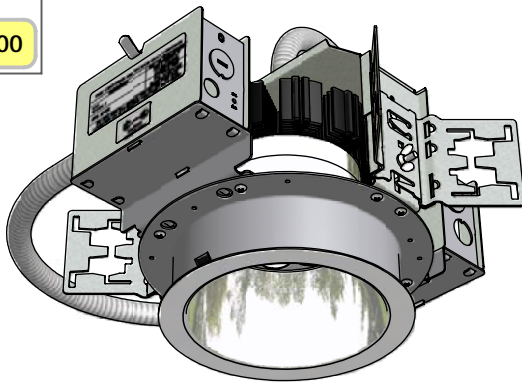


Type

Date  
 00/00/00

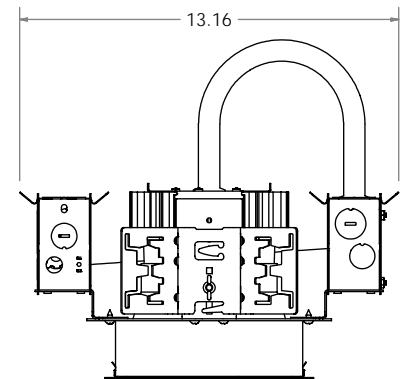
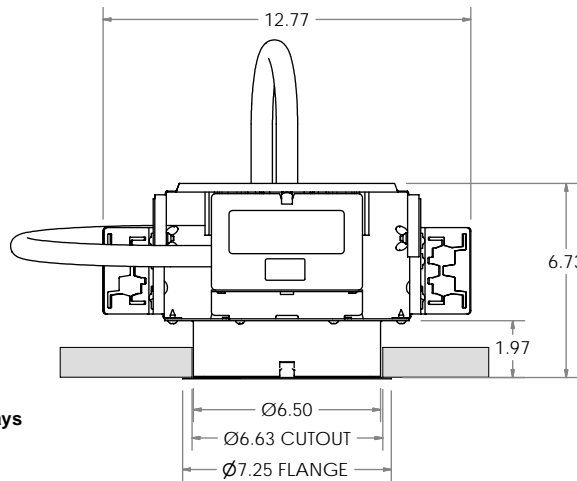
OCEAN STATE  
 LIGHTING



# 6LE SERIES

DOWNLIGHT  
 LED (LIGHT  
 EMITTING DIODE)  
 RECESSED

RECESSED  
 LED



### OPTIONS:

#### Lamp Options:

Fixtures are preconfigured with LED Arrays that produce Lumen output of:

- 800 - 800 Lumens - CREE® 2.5 watt
- 1200 - 1200 Lumens - CREE® 2.5 watt

#### Reflector Options:

- HZ - Haze Anodized (Standard)
- CL - Clear anodized
- CA - Champagne anodized
- GA - Gold anodized
- GM - Gun metal anodized
- PA - Pewter anodized
- SA - Straw anodized
- UA - Umber anodized
- WA - Wheat anodized
- BLK - Painted black
- WHT - Painted white

#### Color Temperature Options:

- WW - Warm White approx. 3000K
- CW - Cool White approx. 5000K

#### Beam Spread Options:

- 30° - 5'-4" dia @ 10' height (800lm Standard)
- 17° - 3'-0" dia @ 10' height (1200lm Standard)

#### Voltage Options:

- UNV - Universal voltage - 120-277v
- DIM - Dimming (0-10v) (Consult Factory for availability)

#### Electrical Options:

- GLR - In line fusing

#### Other Options: (Consult Factory)

- BH - T-Bar / plaster hanging assemblies
- SSA - Slope Ceiling Adapter (Specify degree in 5° increments from 10 - 45°)

### PRODUCT SPECIFICATION DATA:

Low iridescent specular Alzak® reflector. Polished trim flange is standard. Matte white trim or other colors available - consult factory. Capable of mounting in 2" thick ceiling.

Integral heat sink (extruded aluminum) provide 70% average lumen maintenance at 50,000 hrs.

14 gauge galvanized junction box with snap-on covers. Suitable for through wiring (4in/4out) #12 AWG

Fixture should be installed in applications where ambient temperatures do not exceed 50°C.

Factory wired for ease in installation. LED Driver accessible from below ceiling.

Fixtures are UL/CUL listed, and have **standard electronic LED Drivers**.

Each fixture is tested at the factory before shipment.

## ORDERING INFORMATION

Series	Aperture	Lumen Output	Reflector	Color Temp	Beam Spread	Voltage	Electrical
6LE	06	—	—	—	—	—	—
6LE LED Vertical	06	800 1200	HZ (Standard) CL CA GA GM PA SA UA WA BLK Painted Black WHT Painted White	WW Warm White CW Cool White	30° ON 800LM MODEL 17° ON 1200LM MODEL (Consult Factory for other spread patterns)	UNV Universal Voltage	GLR In Line Fusing BH SSA DIM

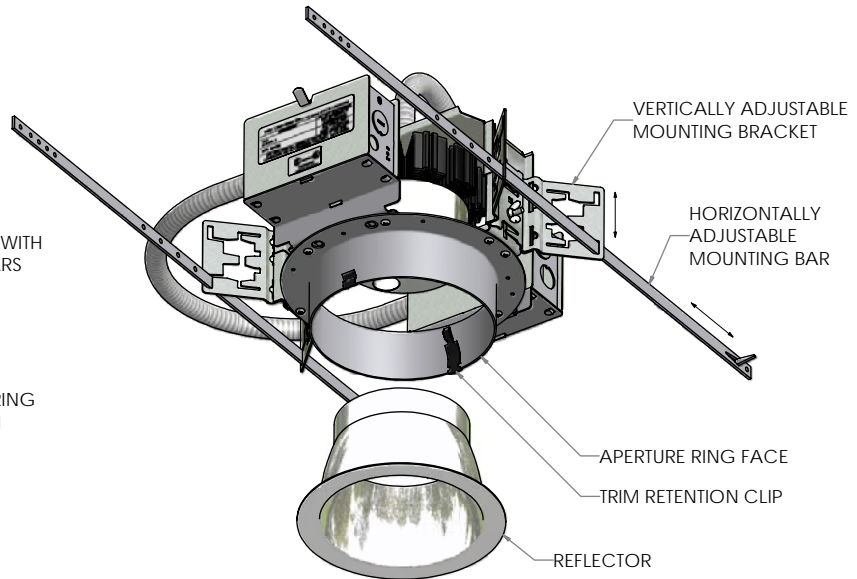


# 6LE SERIES

DOWNLIGHT  
LED (LIGHT EMITTING DIODE)  
RECESSED

## MOUNTING / INSTALLATION

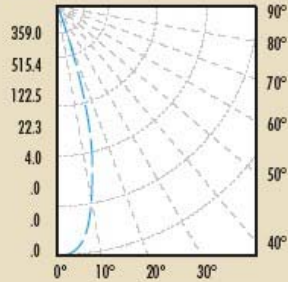
1. MOUNT FIXTURE AND ADJUST LOCATION WITH HORIZONTALLY ADJUSTABLE MOUNTING BARS AND VERTICALLY ADJUSTABLE MOUNTING BRACKETS SO THAT APERTURE RING FACE IS POSITIONED 1/16" TO 1/8" ABOVE FINISHED CEILING FACE.
2. INSERT REFLECTOR TRIM INTO APERTURE RING AND PUSH UPWARDS UNTIL TRIM RETENTION CLIPS ENGAGE OUTSIDE DIAMETER OF REFLECTOR AND THE REFLECTOR FLANGE IS FLUSH TO FINISHED CEILING FACE.



## PHOTOMETRICS

### 6LE 800

#### Zonal Lumens



#### Ballast Test # 13544.2 Candlepower Distribution

Vert. Angle	Avg. Candela
0	3855
5	3761
10	3032
15	1818
20	824
25	265
30	86
35	36
40	16
45	5
50	0
55	0
60	0
65	0
70	0
75	0
80	0
85	0
90	0

#### Lumen Summary

Zone	Lumens	%Lamp	%Fixture
0-30	997	90.6	97.4
0-40	1019	92.7	99.6
0-60	1023	93.0	100.0
0-90	1023	93.0	100.0
90-180	0	.0	.0
0-180	1023	93.0	100.0

#### Input Parameters

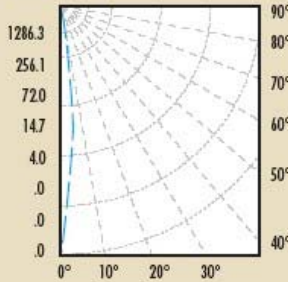
<b>Total Lamp Lumens:</b>	~800	<b>L70 / 50,000 Hours:</b>	YES
<b>On-axis Intensity:</b>	4,498 CD	<b>Max. Operating Temp:</b>	50° C
<b>LED Quantity:</b>	10	<b>LED CCT:</b>	3,000 K*
<b>Wattage:</b>	25W	<b>Spacing Criteria:</b>	.5
<b>AC Input Voltage:</b>	120/277 VOLT Operation	<b>Efficiency:</b>	93%

#### Zonal Cavity Coefficients of Utilization

ROOM CAVITY RATIO	CEILING																																			
	80%						70%						50%						30%						10%						0%					
	EFFECTIVE FLOOR CAVITY REFLECTANCE-20%																																			
	%WALL REFLECTANCE																																			
	70	50	30	10	70	50	30	10	50	30	10	50	30	10	50	30	10	50	30	10	50	30	10	50	30	10	0									
0	1.11	1.11	1.11	1.11	1.08	1.08	1.08	1.08	1.03	1.03	1.03	.99	.99	.99	.95	.95	.95	.93	.91	.91	.91	.91	.91	.91	.91	.91										
1	1.08	1.06	1.04	1.03	1.05	1.04	1.03	1.01	1.00	.99	.98	.97	.96	.95	.94	.93	.93	.91	.91	.91	.91	.91	.91	.91	.91	.91										
2	1.04	1.01	.98	.96	1.02	.99	.97	.95	.96	.94	.93	.94	.92	.91	.91	.90	.89	.88	.88	.88	.88	.88	.88	.88	.88	.88										
3	1.01	.97	.94	.91	.99	.96	.93	.91	.93	.91	.89	.91	.89	.88	.89	.88	.87	.85	.85	.85	.85	.85	.85	.85	.85	.85										
4	.98	.93	.90	.87	.97	.92	.89	.87	.90	.88	.86	.89	.86	.85	.87	.85	.84	.83	.83	.83	.83	.83	.83	.83	.83	.83										
5	.95	.90	.86	.83	.94	.89	.86	.83	.88	.85	.82	.86	.84	.82	.85	.83	.81	.80	.80	.80	.80	.80	.80	.80	.80	.80										
6	.93	.87	.84	.81	.92	.87	.83	.81	.85	.83	.80	.84	.82	.80	.83	.81	.79	.78	.78	.78	.78	.78	.78	.78	.78	.78										
7	.90	.85	.81	.79	.89	.84	.81	.78	.83	.80	.78	.82	.80	.78	.81	.79	.77	.76	.76	.76	.76	.76	.76	.76	.76	.76										
8	.88	.82	.79	.76	.87	.82	.78	.76	.81	.78	.76	.80	.77	.75	.79	.77	.75	.74	.74	.74	.74	.74	.74	.74	.74	.74										
9	.85	.80	.76	.74	.85	.79	.76	.74	.78	.75	.73	.78	.75	.73	.77	.75	.73	.72	.72	.72	.72	.72	.72	.72	.72	.72										
10	.83	.77	.73	.71	.82	.77	.73	.71	.76	.73	.71	.75	.72	.70	.75	.72	.70	.69	.69	.69	.69	.69	.69	.69	.69	.69										

### 6LE 1200

#### Zonal Lumens



#### Ballast Test # 13545.3 Candlepower Distribution

Vert. Angle	Avg. Candela
0	27613
5	13475
10	3687
15	904
20	262
25	156
30	44
35	23
40	11
45	5
50	1
55	0
60	0
65	0
70	0
75	0
80	0
85	0
90	0

#### Lumen Summary

Zone	Lumens	%Lamp	%Fixture
0-30	1614	97.8	98.9
0-40	1629	98.7	99.8
0-60	1633	99.0	100.0
0-90	1633	99.0	100.0
90-180	0	.0	.0
0-180	1633	99.0	100.0

#### Input Parameters

<b>Total Lamp Lumens:</b>	~1200	<b>L70 / 50,000 Hours:</b>	YES
<b>On-axis Intensity:</b>	32,400 CD	<b>Max. Operating Temp:</b>	50° C
<b>LED Quantity:</b>	15	<b>LED CCT:</b>	3,000 K*
<b>Wattage:</b>	37W	<b>Spacing Criteria:</b>	.2
<b>AC Input Voltage:</b>	120/277 VOLT Operation	<b>Efficiency:</b>	99%

#### Zonal Cavity Coefficients of Utilization

ROOM CAVITY RATIO	CEILING																																			
	80%						70%						50%						30%						10%						0%					
	EFFECTIVE FLOOR CAVITY REFLECTANCE-20%																																			
	%WALL REFLECTANCE																																			
	70	50	30	10	70	50	30	10	50	30	10	50	30	10	50	30	10	50	30	10	50	30	10	50	30	10	0									
0	1.18	1.18	1.18	1.18	1.15	1.15	1.15	1.15	1.10	1.10	1.10	1.05	1.05	1.05	1.01	1.01	1.01	.99	.99	.99	.99	.99	.99	.99	.99	.99										
1	1.15	1.14	1.12	1.11	1.13	1.11	1.10	1.09	1.08	1.07	1.06	1.04	1.03	1.03	1.01	1.00	1.00	.98	.98	.98	.98	.98	.98	.98	.98	.98										
2	1.13	1.10	1.08	1.06	1.11	1.08	1.06	1.05	1.05	1.04	1.02	1.03	1.01	1.00	1.00	.99	.98	.97	.97	.97	.97	.97	.97	.97	.97	.97										
3	1.10	1.07	1.05	1.02	1.09	1.06	1.04	1.02	1.04	1.02	1.00	1.01	1.00	.99	.99	.98	.97	.96	.96	.96	.96	.96	.96	.96	.96	.96										
4	1.08	1.05	1.02	1.00	1.07	1.04	1.01	.99	1.02	1.00	.98	1.00	.99	.97	.99	.97	.96	.95	.95	.95	.95	.95	.95	.95	.95	.95										
5	1.07	1.03	1.00	.98	1.06	1.02	.99	.97	1.01	.98	.97	.99	.97	.96	.98	.96	.95	.94	.94	.94	.94	.94	.94	.94	.94	.94										
6	1.05	1.01	.98	.96	1.04	1.01	.98	.96	.99	.97	.96	.98	.96	.95	.97	.95	.94	.93	.93	.93	.93	.93	.93	.93	.93	.93										
7	1.04	1.00	.97	.95	1.03	.99	.97	.95	.98	.96	.95	.97	.96	.94	.96	.94	.93	.92	.92	.92	.92	.92	.92	.92	.92	.92										
8	1.03	.98	.96	.94	1.02	.98	.96	.94	.97	.95	.94	.96	.95	.93	.96	.94	.92	.91	.91	.91	.91	.91	.91	.91	.91	.91										
9	1.01	.97	.95	.93	1.01	.97	.94	.93	.96	.94	.93	.96	.94	.92	.95	.94	.92	.91	.91	.91	.91	.91	.91	.91	.91	.91										
10	1.00	.96	.94	.92	1.00	.96	.93	.92	.95	.93	.92	.95	.93	.91	.94	.92	.91	.91	.91	.91	.91	.91	.91	.91	.91	.91										

CONSULT FACTORY FOR PHOTOMETRIC DATA ON FIXTURE CONFIGURATIONS NOT SHOWN. ALL FIXTURES TESTED TO CURRENT IES STANDARDS FOR LED FIXTURES. WE UNDERSTAND THAT TYPICAL INSTALLATION MAY REDUCE LUMEN OUTPUT BY 25%.

