

USA ILLUMINATION™

USAI, LLC

1126 River Road, New Windsor, NY 12553
Tel. 845-565-8500 Fax: 845-561-1130 email: info@usaillumination.com
www.usaillumination.com



CATALOG NUMBER

3020LRT930-NC

BeveLED ROUND 30° Downlight

LED
Damp & Dry Application

CEILING CUTOUT

5" Ø

LIGHT ENGINE

24W, 3050K, ±100K, 85+CRI
HIGH POWER
WHITE LEDS ATTACHED TO
DIE CAST ALUMINUM
HEATSINK.

OPTICS

TWO PIECE PROPRIETARY
LOW GLARE BLENDED
OPTICAL LENS ASSEMBLY
WITH INJECTION MOLDED,
POLYCARBONATE
SPECULAR REFLECTOR.
MAXIMIZED FOR 30° BEAM
DISTRIBUTION.

JUNCTION BOX

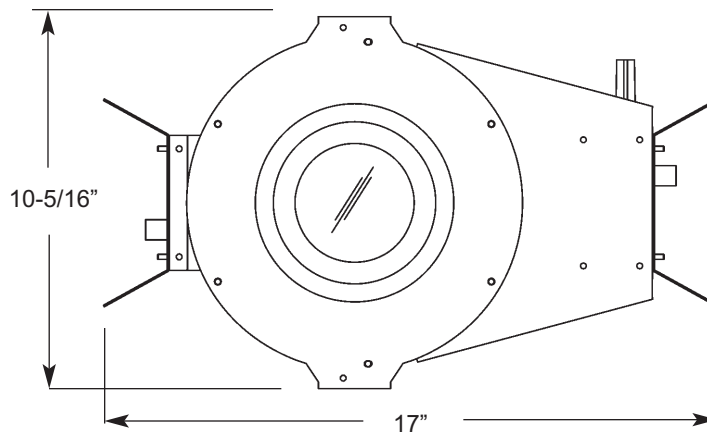
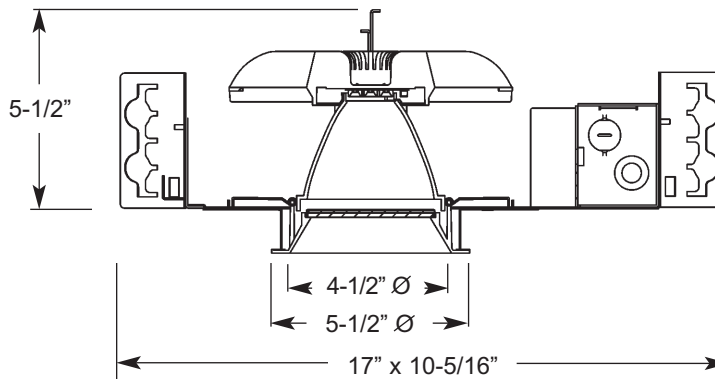
16 GA.
GALVANIZED STEEL.
THRU-WIRE JUNCTION
BOX, 3 IN 3 OUT AT
MIN. 90° C, #12 AWG
THRU BRANCH
CIRCUIT WIRING.

DRIVER

SOLID STATE ELECTRONIC,
CONSTANT CURRENT.
HIGH POWER FACTOR.
SPECIFY 120V OR 277V.

OPTIONAL DIMMING

DIMMING DRIVERS
OPTIONALLY AVAILABLE.
SPECIFY LUTRON
HI-LUME/ECO-SYS
DIMMING SYSTEMS
OR 0-10V LOW VOLTAGE
DIMMING SYSTEMS.



HOUSING

DIE FORMED 20 GA. GALVANIZED STEEL
ROUGH-IN FRAME

NOTE: FIXTURE SHOULD BE INSTALLED IN
APPLICATIONS WHERE AMBIENT TEMPERATURES
DO NOT EXCEED 40° C DURING NORMAL OPERATION.

PLEASE CONSULT OUR WEBSITE AT WWW.USAILLUMINATION.COM
FOR ANY CHANGE IN SPECIFICATIONS

TRIM MATERIAL

DIE CAST ALUMINUM

TRIM RETENTION

TWO TORSION SPRINGS
SECURE TRIM TO
HOUSING. MAXIMUM
CEILING THICKNESS 1".

FINISHES

10 - WHITE
21 - BLACK
28 - METALIZED GREY

MOUNTING

BUTTERFLY BRACKETS
AND ADJUSTABLE NAILER
BARS WITH INTEGRAL
NAILS PROVIDED. NAILER
BARS ARE EXTENDIBLE
FROM 14" TO 24" CENTERS.
C-CHANNEL MOUNTING
BARS ARE AVAILABLE AS
ACCESSORIES.

LISTINGS

UL LISTED FOR
DRY / DAMP LOCATION
IBEW UNION MADE

ACCESSORIES

CB27 - 27"C-CHANNEL BARS
CB52 - 52"C-CHANNEL BARS

ORDERING INFO.

TRIM _____

03/09
PROJECT _____

TRIM - FINISH - VOLTAGE
TYPE _____

USA ILLUMINATION™

USAI, LLC

1126 River Road, New Windsor, NY 12553
Tel. 845-565-8500 Fax: 845-561-1130 email: info@usaillumination.com
www.usaillumination.com

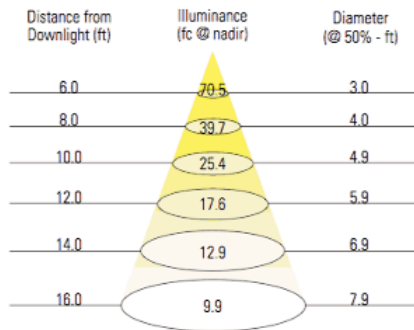
PHOTOMETRIC DATA

3020-LRT930-NC

PERFORMANCE DATA

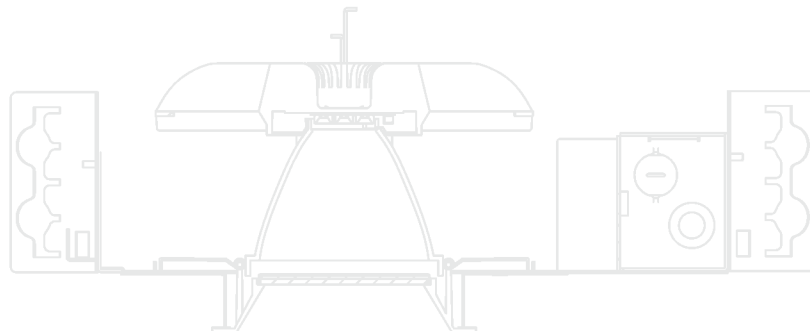
3020-LRT930-NC

24W LED: 30-degree



ITL Report: 13154

Tested in accordance with IESNA LM-79 standards



Actual results may vary. All dimensions and data subject to change.