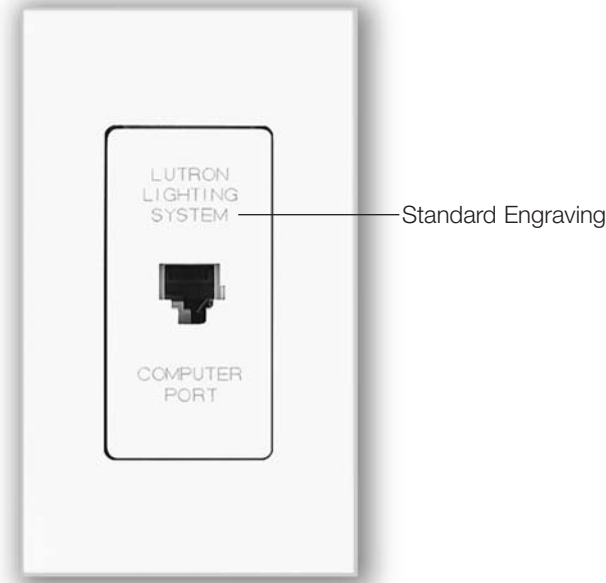


Color and Finish Codes

NTOMX-62J-___ PC Jack



Description

- Connects the EM-NWK-E-D-x Network Interface to GRAFIK 5000/6000/7000 Systems.
- The PC Jack sits on the User Interface Link that connects to the Processor Panel.
- The Network Interface plugs into the jack.
- A GRAFIK 5000/6000/7000 System must have at least one PC Jack. Place a Jack wherever access to the System using a PC or laptop may be required.

Specifications

Power

Low-voltage Class 2 (PELV)
Operating Voltage: 32 V Direct Current.

Key Design Features

- Meets IEC 801-2. Tested to withstand 15 kV electrostatic discharge without damage or memory loss.
- Faceplate snaps on with no visible means of attachment.

System Communications and Capacity

- Low-voltage Class 2 (PELV) User Interface Link connects PC Jack to Processor Panel.
- Unlimited number of Jacks in the System. Only one computer may be plugged in at any time.

Terminals

Accept up to two #18 AWG (1.0 mm²).

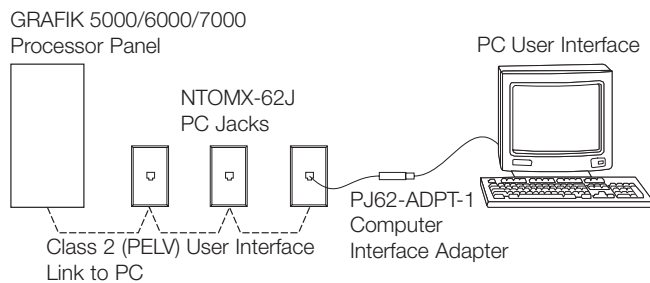
Environment

32-104 °F (0-40 °C). 90% non-condensing relative humidity.

Delivery

Ships in 4 to 6 weeks depending on system delivery.

The PC Jack Connects the Adapter to the GRAFIK 5000/6000/7000 System.



Job Name:	Model Numbers:
Job Number:	

Color and Finish Codes

Matte Finishes

White	WH
Ivory	IV
Beige	BE
Gray	GR
Brown	BR
Black	BL

Metal Finishes

Bright Brass	BB
Bright Chrome	BC
Bright Nickel	BN
Satin Brass	SB
Satin Chrome	SC
Satin Nickel	SN
Antique Brass	QB
Antique Bronze	QZ

Anodized Aluminum Finishes

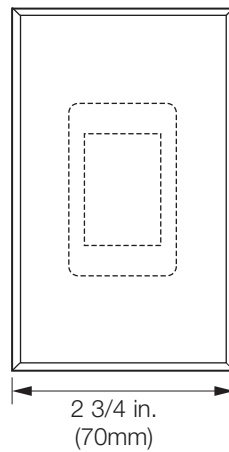
Clear	CLA
Black	BLA
Brass	BRA

- Also available:
 -Custom Controls
 -Color Matching
 -Engraving

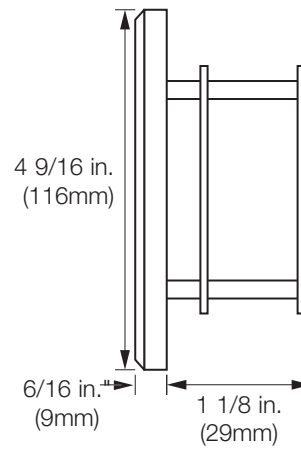
Pricing and lead time may vary depending on finishes.

Dimensions

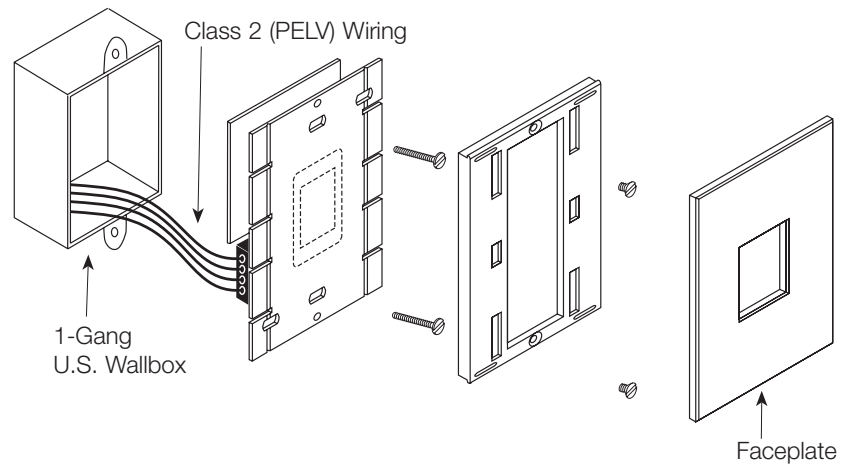
Front View



Side View



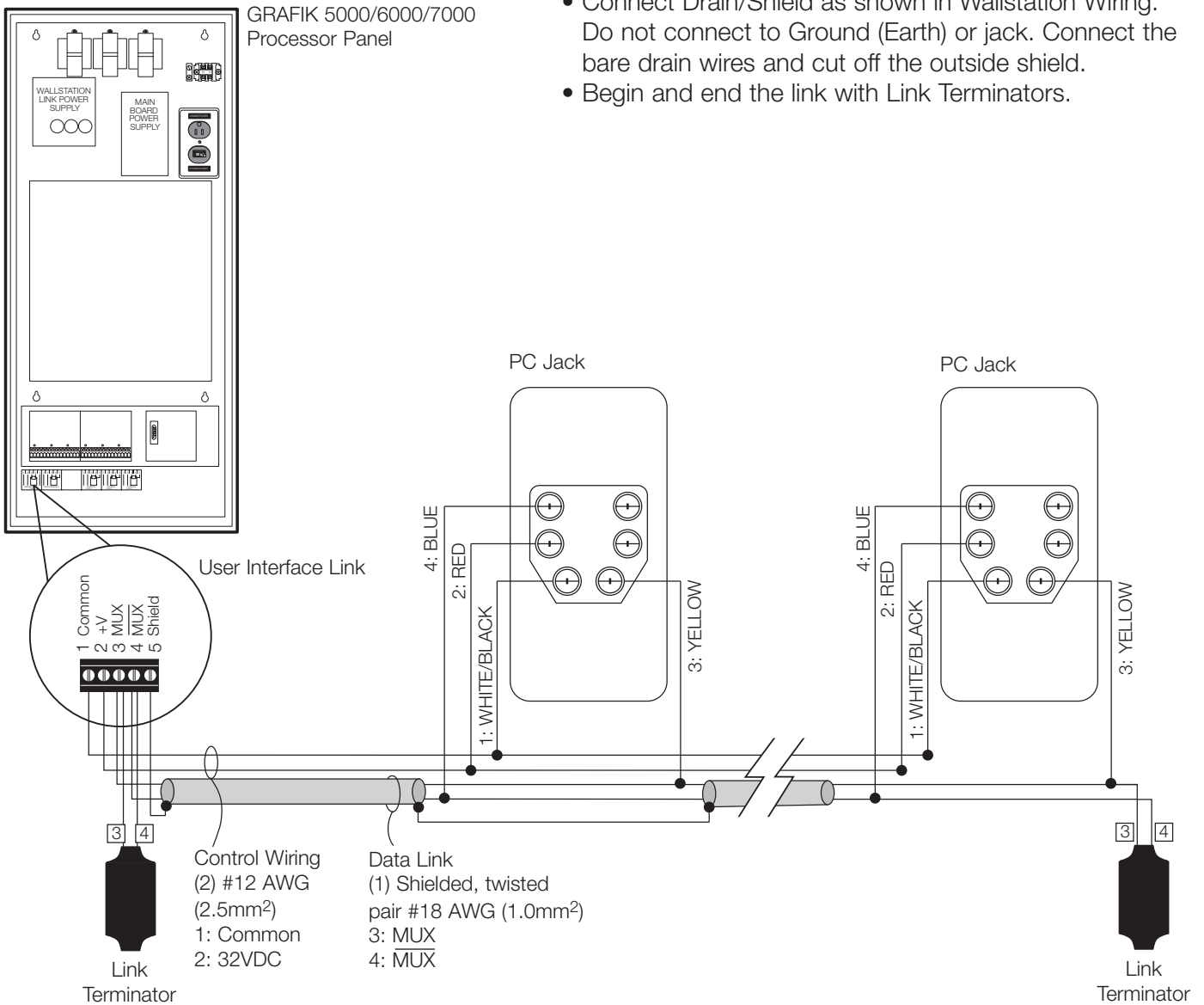
Mounting



Job Name:	Model Numbers:
Job Number:	

Low Voltage Class 2 (PELV) Wiring

- Daisy-chain the PC Jack(s) onto the low-voltage Class 2 (PELV) Wallstation Link.
- Make all connections in the Jack's wallbox or in a switchbox or junction box with a maximum wire length of 8 ft. (2.5 m) from the link to the jack.
- Must be run separately from line (mains) voltage wiring.
- Link may be up to 2000 ft. (600 m) in length. Consult the Processor Panel Specification Submittal for more details.
- Connect Drain/Shield as shown in Wallstation Wiring. Do not connect to Ground (Earth) or jack. Connect the bare drain wires and cut off the outside shield.
- Begin and end the link with Link Terminators.



Job Name:	Model Numbers:
Job Number:	