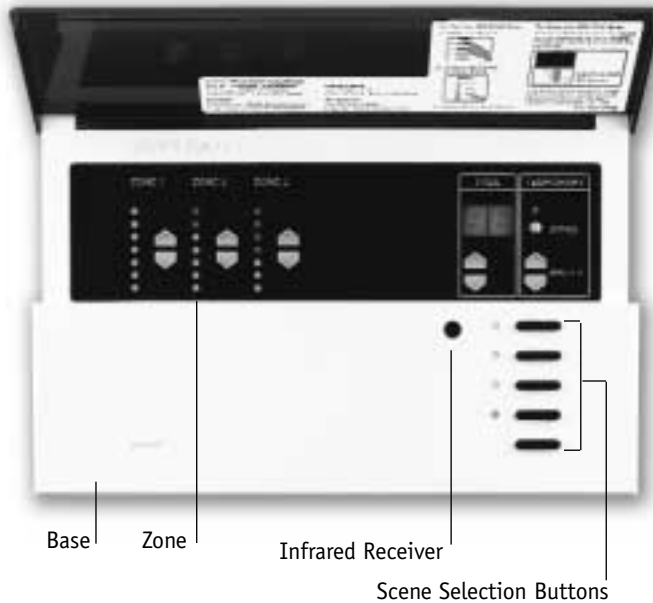


# GRX-3000 Control Units

Cover (shown open)



### Preset Controls

- 4 preset lighting scenes and off for up to 6 zones, accessible from Control Unit faceplate.
- 12 additional scenes stored in Control Unit, accessible via Wallstations and/or Control Interfaces.
- Light levels fade smoothly between scenes. Fade time: 0-59 seconds or 1-60 minutes. Can be set differently for each scene.

### Key Design Features

- Meets IEC 801-2. Tested to withstand 15kV electrostatic discharge without damage or memory loss.
- Compensates in real time for incoming line voltage variations: No visible flicker with +/-2% change in RMS voltage/cycle and +/-2% Hz change in frequency/second.
- Provides 10-year power failure memory: Automatically restores lighting to levels prior to power interruption.
- Has faceplate that snaps on with no visible means of attachment.

### System Communications and Capacities

Low-voltage type Class 2 (PELV) wiring connects Control Units, Wallstations, and Control Interfaces:

- You can link up to 8 Control Units to control up to 48 zones.
- You can add up to 16 total Wallstations and Control Interfaces for a total of 24 control points.

### Environment

- 32-104°F (0-40°C). Relative humidity less than 90% non-condensing.

### DESCRIPTION

- Provide pushbutton recall of four preset lighting scenes.
- Control virtually any light source.
- Provide lockout options to prevent accidental changes.
- Include built-in infrared receiver for operation with an optional remote control.

#### Models available to:

- Accept 100V, 120V, 220 - 240V, 230V, and 100V input power.
- Control two to six zones of lighting.
- Provide easy setup of preset lighting scenes:

**GRX-3100 Control Units** provide standard setup via pushbuttons on the Control Unit.

**GRX-3500 Control Units** provide optional setup via a PC, including setting lighting levels in 1% increments.

### SPECIFICATIONS

#### Input Power

- 100V, 120V, 220-240V (non CE), 230V (CE) or 100V. 50/60Hz.
- Lightning Strike Protection: Meets ANSI/IEEE standard 62.41-1980. Can withstand voltage surges of up to 6000V and current surges up to 3000A.

#### Sources/Load Types

Operates these sources with a smooth continuous Square Law dimming curve or on a full conduction non-dim basis:

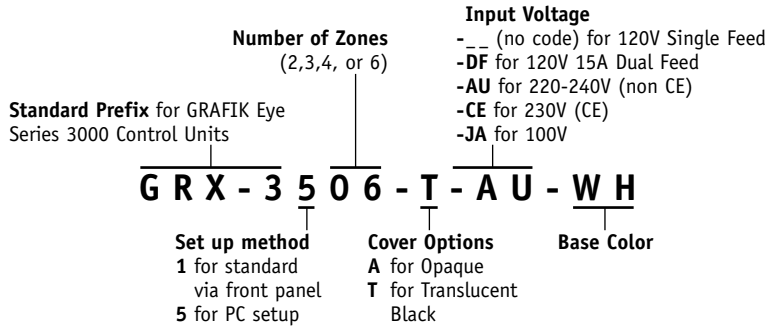
- Incandescent, Tungsten, Magnetic Low Voltage Transformer
- Lutron Tu-Wire Electronic Fluorescent Dimming Ballast
- Neon and Cold Cathode

Operates these sources with a smooth continuous Square Law dimming curve through separate power interfaces:

- Electronic Low Voltage Transformer
- Lutron Fluorescent Electronic Dimming Ballast

JOB NAME:	MODEL NUMBERS:
JOB NUMBER:	

**HOW TO BUILD A MODEL NUMBER**



**COVER OPTIONS**

Opaque **A**  
 Cover and Base will match.  
 Translucent Black **T**  
 Black cover and your choice of base color.

**BASE COLORS**

**Matte Finishes**

Standard – Ships in 48 hours  
 White **WH**  
 Ivory **IV**  
 Beige **BE**  
 Gray **GR**  
 Brown **BR**  
 Black **BL**

**Gloss Finishes**

Ships in 4 to 6 weeks  
 Cover Choice: **A** only

White **GWH**  
 Light Almond **GLA**  
 Almond **GAL**  
 Ivory **GIV**

**Metal Finishes**

Cover Choice: **T** only

Bright Brass **BB**  
 Bright Chrome **BC**  
 Satin Brass **SB**  
 Satin Chrome **SC**  
 Satin Nickel **SN**  
 Antique Brass **QB**  
 Antique Bronze **QZ**  
 Bright Nickel **BN**

Anodized Aluminum

Clear **CLA**  
 Black **BLA**  
 Brass **BRA**

Custom Controls, color matching, and engraving available  
 Ships in 4 to 6 weeks

**MODELS** You can increase zone capacities by adding Power Interfaces.

**120V Input Power**

NUMBER OF ZONES	STANDARD SETUP	MODEL NUMBER	PC SETUP	UNIT CAPACITY (WATTS/VA)	ZONE CAPACITY* (WATTS/VA)
2	GRX-3102-__	GRX-3502-__	GRX-3502-__	1200	800
3	GRX-3103-__	GRX-3503-__	GRX-3503-__	1500	800
4	GRX-3104-__	GRX-3504-__	GRX-3504-__	2000	800
6	GRX-3106-__	GRX-3506-__	GRX-3506-__	2000	800

**120V 15A Dual Feed Input Power**

These models accept dual feeds for full 2000W/VA unit capacity with 15A breakers.

NUMBER OF ZONES	STANDARD SETUP	MODEL NUMBER	PC SETUP	UNIT CAPACITY (WATTS/VA)	ZONE CAPACITY* (WATTS/VA)
4	GRX-3104-__-DF-__	GRX-3504-__-DF-__	GRX-3504-__-DF-__	2000	800
6	GRX-3106-__-DF-__	GRX-3506-__-DF-__	GRX-3506-__-DF-__	2000	800

**220 – 240V (non CE) Input Power**

NUMBER OF ZONES	STANDARD SETUP	MODEL NUMBER	PC SETUP	UNIT CAPACITY (WATTS/VA)	ZONE CAPACITY (WATTS/VA)
2	GRX-3102-__-AU-__	GRX-3502-__-AU-__	GRX-3502-__-AU-__	1600	1200
3	GRX-3103-__-AU-__	GRX-3503-__-AU-__	GRX-3503-__-AU-__	2400	1200
4	GRX-3104-__-AU-__	GRX-3504-__-AU-__	GRX-3504-__-AU-__	3000	1200
6	GRX-3106-__-AU-__	GRX-3506-__-AU-__	GRX-3506-__-AU-__	3000	1200

**230V (CE) Input Power**

NUMBER OF ZONES	STANDARD SETUP	MODEL NUMBER	PC SETUP	UNIT CAPACITY (WATTS/VA)	ZONE CAPACITY (WATTS/VA)
2	GRX-3102-__-CE-__	GRX-3502-__-CE-__	GRX-3502-__-CE-__	1600	800
3	GRX-3103-__-CE-__	GRX-3503-__-CE-__	GRX-3503-__-CE-__	2300	800
4	GRX-3104-__-CE-__	GRX-3504-__-CE-__	GRX-3504-__-CE-__	2300	800
6	GRX-3106-__-CE-__	GRX-3506-__-CE-__	GRX-3506-__-CE-__	2300	800

**100V Input Power**

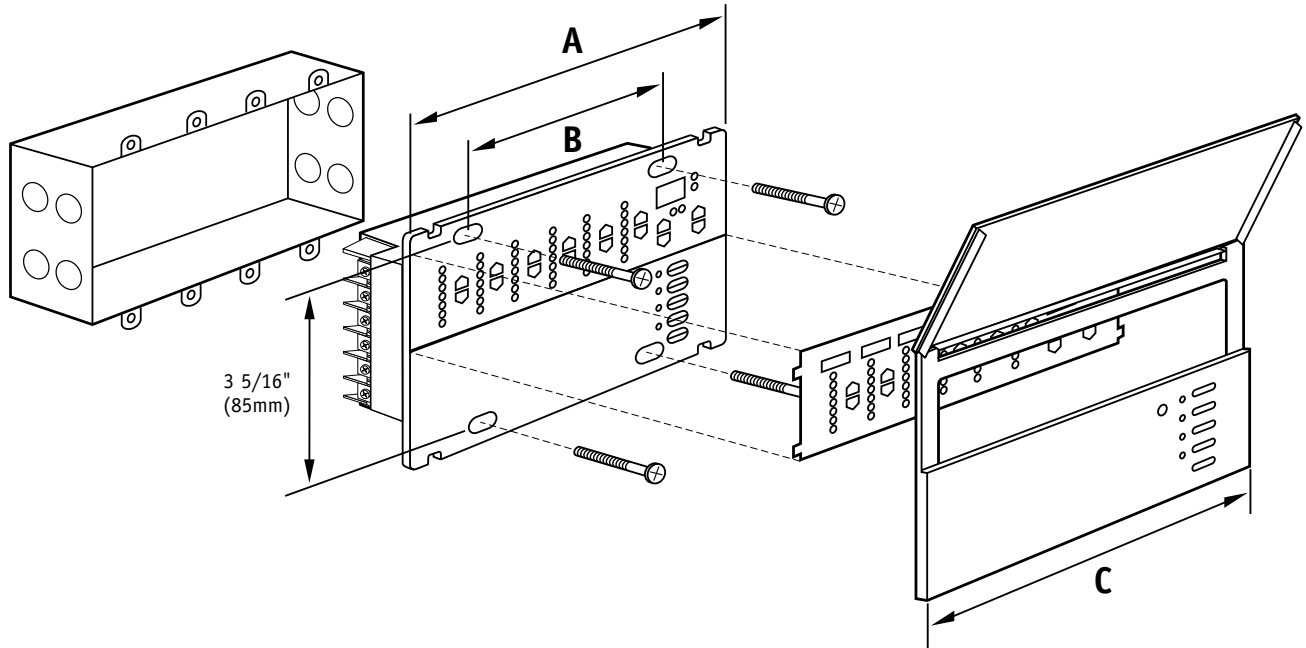
NUMBER OF ZONES	STANDARD SETUP	MODEL NUMBER	PC SETUP	UNIT CAPACITY (WATTS/VA)	ZONE CAPACITY (WATTS/VA)
2	GRX-3102-__-JA-__	GRX-3502-__-JA-__	GRX-3502-__-JA-__	1000	600
3	GRX-3103-__-JA-__	GRX-3503-__-JA-__	GRX-3503-__-JA-__	1250	600
4	GRX-3104-__-JA-__	GRX-3504-__-JA-__	GRX-3504-__-JA-__	1600	600
6	GRX-3106-__-JA-__	GRX-3506-__-JA-__	GRX-3506-__-JA-__	1600	600

<b>JOB NAME:</b>	<b>MODEL NUMBERS:</b>
<b>JOB NUMBER:</b>	

**DIMENSIONS AND MOUNTING** (all voltages)

MODEL	SIDE VIEW	A	B	C	WALLBOX <sup>1</sup> U.S. SIZE	DEPTH
2-Zone: GRX-3102 GRX-3502		4 5/16" (123mm)	1 13/16" (46mm)	5.56" (141mm)	2 Gang <sup>2</sup>	3.5" (89mm)
3-Zone: GRX-3103 GRX-3503		6 11/16" (168mm)	3 5/8" (92mm)	7.25" (184mm)	3 Gang <sup>2</sup>	3.5" (89mm)
4-Zone: GRX-3104 GRX-3504		8 5/16" (208mm)	5 7/16" (138mm)	8.94" (227mm)	4 Gang	3.5" (89mm)
6-Zone: GRX-3106 GRX-3506		8 5/16" (208mm)	5 7/16" (138mm)	8.94" (227mm)	4 Gang	3.5" (89mm)

<sup>1</sup> Can be ordered from Lutron as Part Number 241-519 (1 Gang gangable boxes).



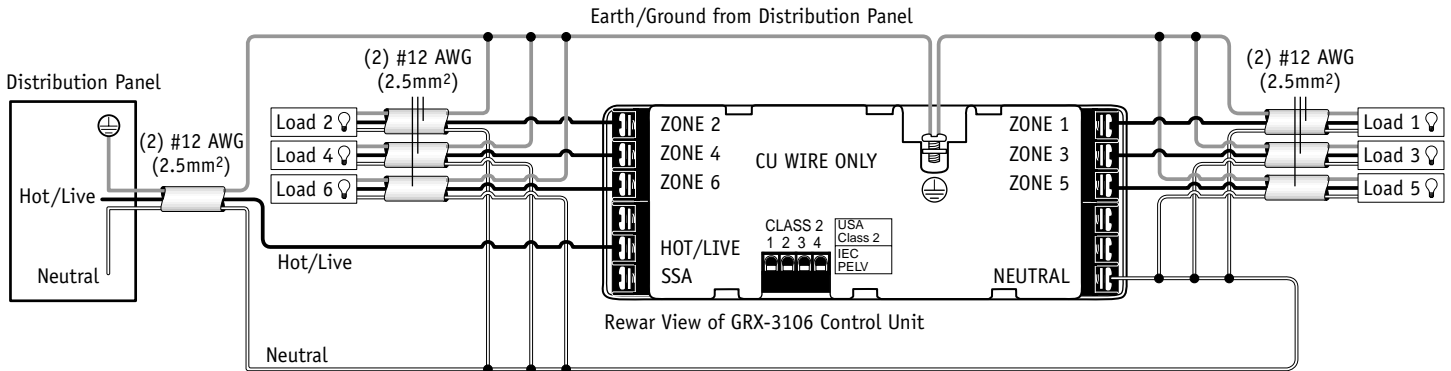
<b>JOB NAME:</b>	<b>MODEL NUMBERS:</b>
<b>JOB NUMBER:</b>	

**LINE VOLTAGE WIRING**

Pull power wiring from distribution panel and to light fixtures. Each line voltage terminal can accept up to two #12 AWG (2.5mm<sup>2</sup>) wires.

**Consult Lutron for:**

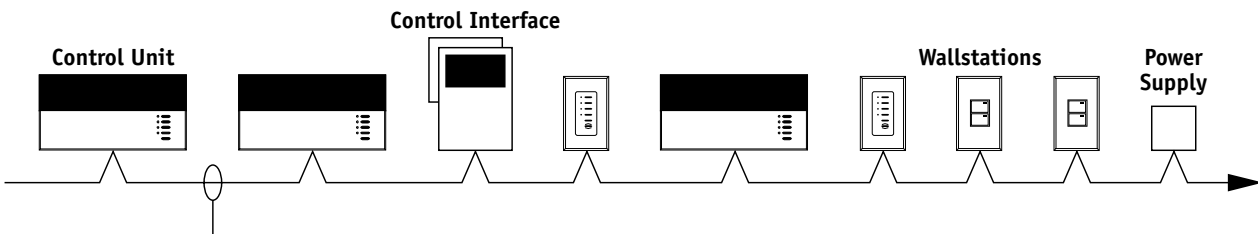
- Non-dim relay wiring.
- Load side emergency transfer wiring.



**LOW-VOLTAGE CLASS 2 (PELV) WIRING**

Pull low-voltage Class 2 (PELV) wiring for system communications.

- Must be daisy-chained.
- Must be less than 2000 feet (600m).
- Must run separately from line (mains) voltage.



**Four wires<sup>1</sup> for low-voltage Class 2 (PELV)**

- Two #18 AWG (1.0mm<sup>2</sup>) conductors for control wiring.
- One shielded, twisted pair #18 AWG (1.0mm<sup>2</sup>) for data link.

<sup>1</sup> Can be ordered from Lutron as GRX-CBL-346S. Or, order from Belden, Alpha, Liberty, or Signature wire companies.

**External 12VDC Power Supply**

required to power more than three Wallstations and/or Control Interfaces from a Control Unit.

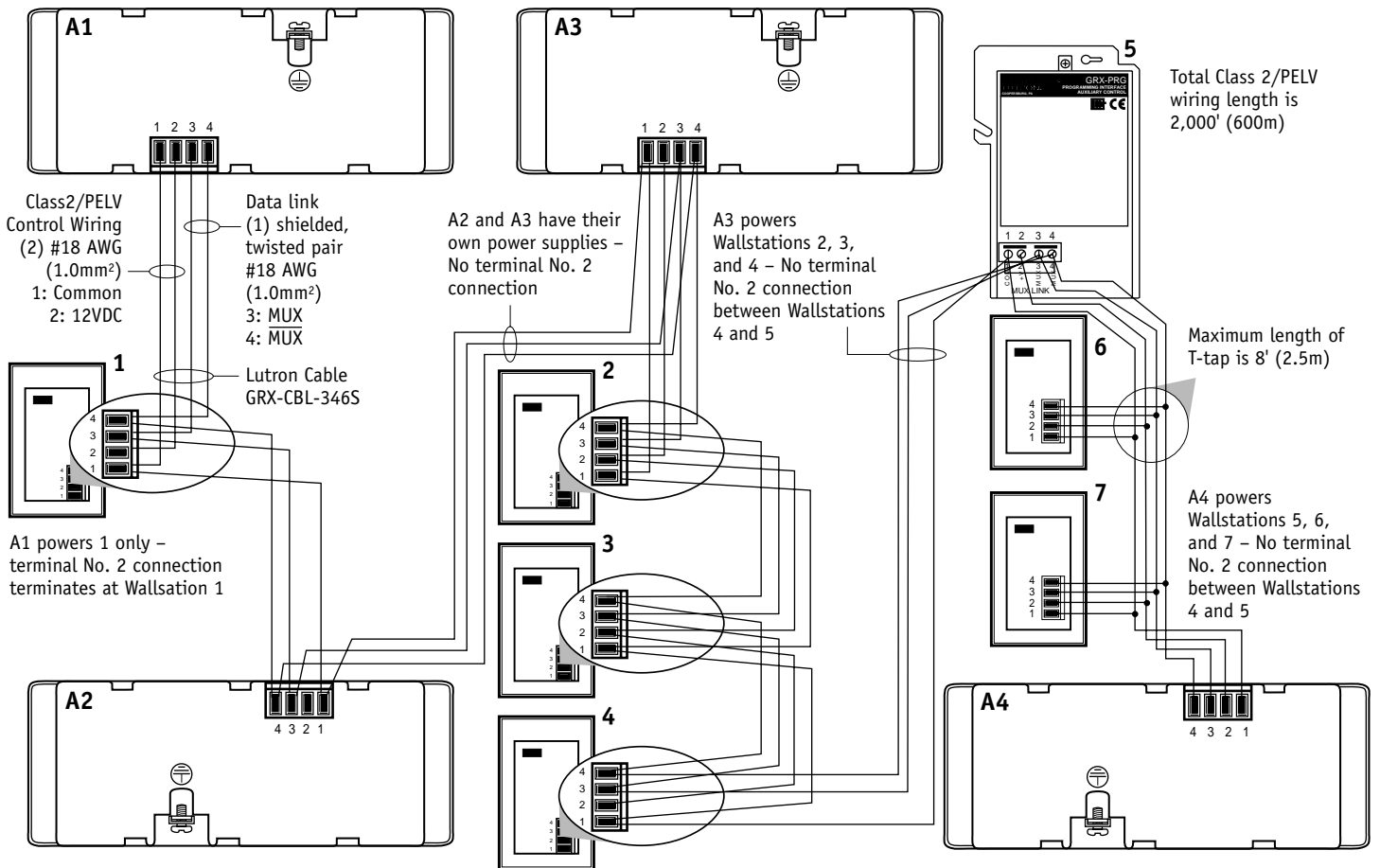
JOB NAME:	MODEL NUMBERS:
JOB NUMBER:	

**CLASS 2 (PELV) TERMINAL CONNECTIONS**

Each Class 2 (PELV) terminal can accept up to two #18 AWG (1.0mm<sup>2</sup>) wires.

1. Daisy chain the terminal 1, terminal 3, and terminal 4 connections to all Control Units, Wallstations, and Control Interfaces.
2. Each Control Unit has its own power supply. Terminate the terminal 2 connection (12VDC power) so that:
  - Each Control Unit supplies power to a maximum of three Wallstations.
  - Each Wallstation receives power from only one Control Unit.

3. Lutron recommends you make all connections in the Control Unit's wallbox. Remote connections must be in a switchbox or junction box with a maximum wire length of 8 ft. (2.5m) from the link to the connected unit.
4. Do not allow Class 2/PELV wires to contact line/main wires.



JOB NAME:	MODEL NUMBERS:
JOB NUMBER:	