

GRX-4000 Control Units

Cover (shown open)



Preset Controls

- 4 preset lighting scenes and off for up to 24 zones, accessible from Control Unit faceplate.
- 12 additional scenes stored in Control Unit, accessible via Wallstations and/or Control Interfaces.
- Light levels fade smoothly between scenes. Fade time: 0-59 seconds or 1-60 minutes. Can be set differently for each scene.

Key Design Features

- Meets IEC 801-2. Tested to withstand 15kV electrostatic discharge without damage or memory loss.
- Provides power failure memory: Automatically restores lighting to scene selected prior to power interruption.
- Has faceplate that snaps on with no visible means of attachment.

System Communications and Capacities

Low-voltage type Class 2 (PELV) wiring connects Control Units, Wallstations, and Control Interfaces:

- You can link up to 8 Control Units to control up to 64 zones.
- You can add up to 16 total Wallstations and Control Interfaces for a total of 24 control points.

Environment

- 32-104°F (0-40°C). Relative humidity less than 90% non-condensing.

DESCRIPTION

- Provide pushbutton recall of four preset lighting scenes.
- Control virtually any light source.
- Provide lockout options to prevent accidental changes.
- Include built-in infrared receiver for operation with an optional remote control.

Models available to:

- Control two to 24 zones of lighting.
- Provide easy setup of preset lighting scenes:
GRX-4100 Control Units provide standard setup via pushbuttons on the Control Unit.
GRX-4500 Control Units provide optional setup via a PC, including setting lighting levels in 1% increments.

GRX-4000 Control Units work with:

- GRAFIK Eye Wallstations
- GP and LP Dimming Panels
- XP Softswitch™ Panels

SPECIFICATIONS

Operating Voltage

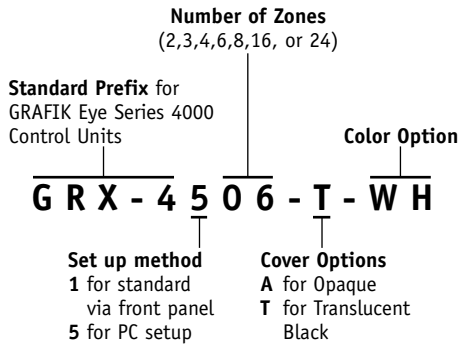
- Low-voltage type Class 2 (PELV), 12VDC to 24VFW.
- Lightning Strike Protection: Meets ANSI/IEEE standard 62.41-1980. Can withstand voltage surges of up to 6000V and current surges up to 3000A.

Sources/Load Types

Operates sources with a smooth continuous Square Law dimming curve or on a full conduction non-dim basis via GP and LP Dimming Panels and XP Softswitch™ Panels.

JOB NAME:	MODEL NUMBERS:
JOB NUMBER:	

HOW TO BUILD A MODEL NUMBER



MODELS

NUMBER OF ZONES	MODEL NUMBER	
	STANDARD SETUP	PC SETUP
2	GRX-4102- _ _	GRX-4502- _ _
3	GRX-4103- _ _	GRX-4503- _ _
4	GRX-4104- _ _	GRX-4504- _ _
6	GRX-4106- _ _	GRX-4506- _ _
8	GRX-4108- _ _	GRX-4508- _ _
16	GRX-4116- _ _	GRX-4516- _ _
24	GRX-4124- _ _	GRX-4524- _ _

COVER OPTIONS

Opaque **A**
Cover and Base will match.

Translucent Black **T**
Black cover and your choice of base color.

BASE COLORS

Matte Finishes

Standard – Ships in 48 hours

White **WH**
Ivory **IV**
Beige **BE**
Gray **GR**
Brown **BR**
Black **BL**

Gloss Finishes

Ships in 4 to 6 weeks
Cover Choice: **A** only

White **WH**
Light Almond **GLA**
Almond **GAL**
Ivory **GIV**

Metal Finishes

Cover Choice: **T** only

Bright Brass **BB**
Bright Chrome **BC**
Bright Nickel **BN**
Satin Brass **SB**
Satin Chrome **SC**
Satin Nickel **SN**
Antique Brass **QB**
Antique Bronze **QZ**

Anodized Aluminum

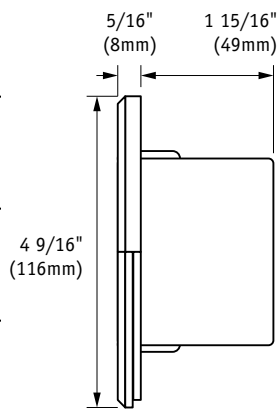
Clear **CLA**
Black **BLA**
Brass **BRA**

Custom Controls, color matching, and engraving available, Ships in 4 to 6 weeks

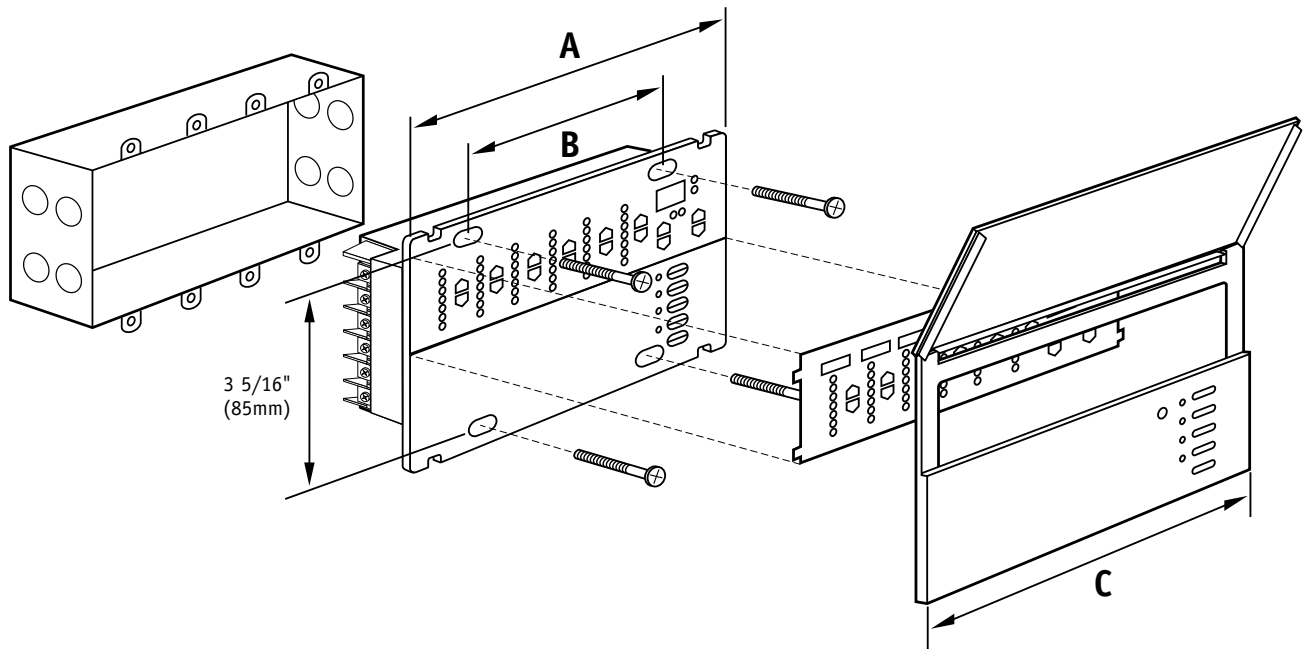
JOB NAME:	MODEL NUMBERS:
JOB NUMBER:	

DIMENSIONS AND MOUNTING

MODEL	SIDE VIEW	A	B	C	WALLBOX ¹ U.S. SIZE	DEPTH
2-Zone: GRX-4102 GRX-4502		4 5/16" (123mm)	1 13/16" (46mm)	5.56" (141mm)	2 Gang	3.5" (89mm)
3-Zone: GRX-4103 GRX-4503		6 11/16" (168mm)	3 5/8" (92mm)	7.25" (184mm)	3 Gang	3.5" (89mm)
4-Zone: GRX-4104 GRX-4504		8 5/16" (208mm)	5 7/16" (138mm)	8.94" (227mm)	4 Gang	3.5" (89mm)
6-Zone: GRX-4106 GRX-4506		8 5/16" (208mm)	5 7/16" (138mm)	8.94" (227mm)	4 Gang	3.5" (89mm)
8-Zone: GRX-4108 GRX-4508		8 5/16" (208mm)	5 7/16" (138mm)	8.94" (227mm)	4 Gang	3.5" (89mm)
16-Zone: GRX-4116 GRX-4516		8 5/16" (208mm)	5 7/16" (138mm)	8.94" (227mm)	4 Gang	3.5" (89mm)
24-Zone: GRX-4124 GRX-4524		8 5/16" (208mm)	5 7/16" (138mm)	8.94" (227mm)	4 Gang	3.5" (89mm)



¹ Can be ordered from Lutron as Part Number 241-519 (1 Gang gangable boxes).

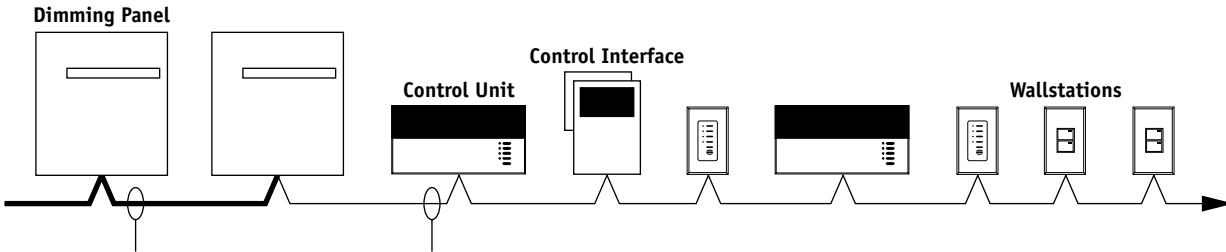


JOB NAME:	MODEL NUMBERS:
JOB NUMBER:	

LOW-VOLTAGE CLASS 2 (PELV) WIRING

Pull low-voltage Class 2 (PELV) wiring for system communications.

- Must be daisy-chained.
- Must be less than 2000 feet (600m).
- Must run separately from line (mains) voltage.



Panel-to-Panel wiring¹

Include one extra #18AWG (1.0mm²).
Used as a "sense line" for emergency (essential) lighting.

Four wires¹ for low-voltage type Class 2 (PELV)

- Two #12 AWG (2.5mm²) conductors for control wiring.
- One shielded, twisted pair #18 AWG (1.0mm²) for data link.

¹ If you use Lutron cable, you can use smaller gauge wires.

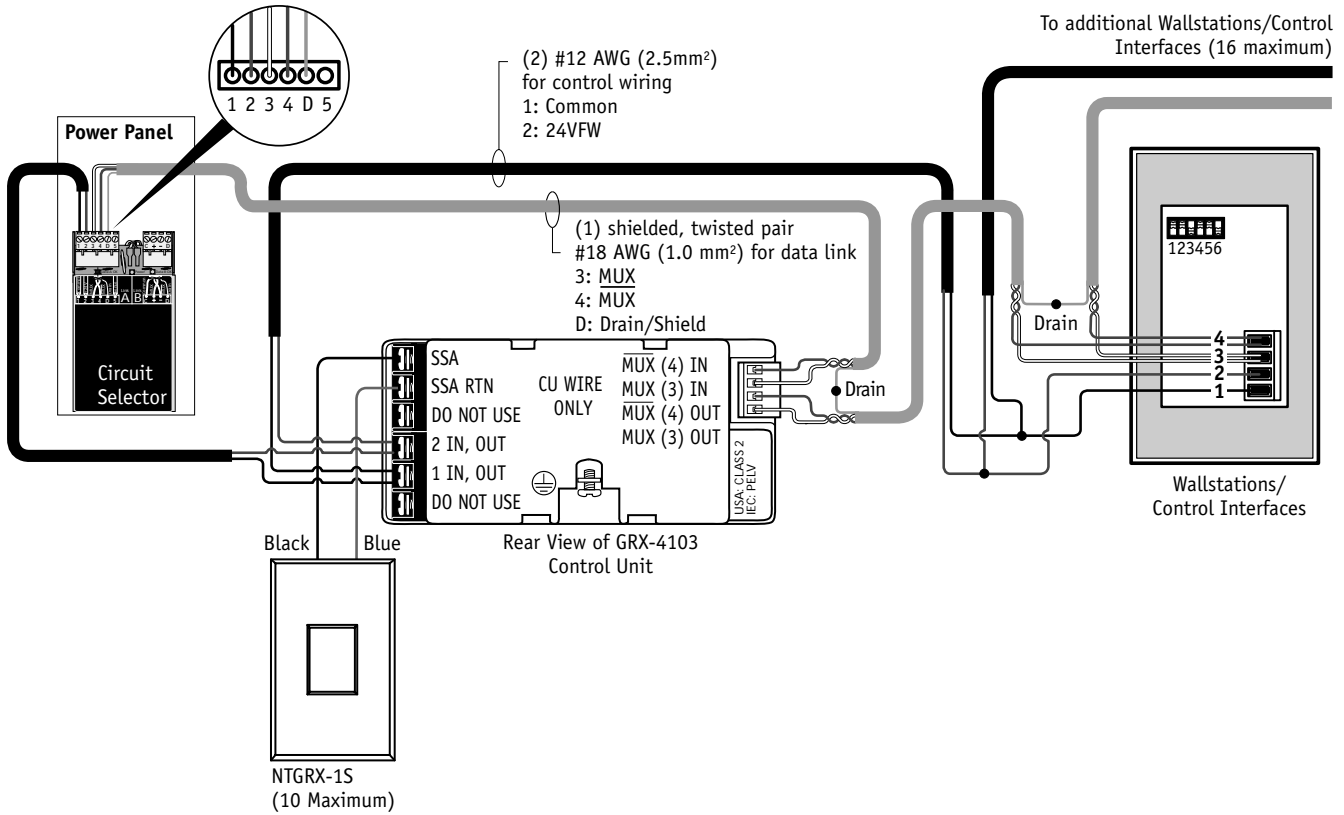
- If your total system is less than 500 feet (150m), you can use GRX-CBL-346S:
 - Two #18AWG (1.0mm²) for power.
 - One twisted, shielded pair #22AWG (.625mm²) for data link.
 - No "sense line" included - add your own #18AWG (1.0mm²).
- If your total system is 500 to 2000 feet (150 to 600m), you can use GRX-CBL-46L:
 - Two #12AWG (2.5mm²) for power.
 - One twisted, shielded pair #22AWG (.625mm²) for data link.
 - One #18AWG (1.0mm²) for sense line between Panels.
- Lutron has also approved smaller gauge cable from Belden, Liberty, Alpha, and Signature. Ask for Lutron GRAFIK Eye Cable.

JOB NAME: JOB NUMBER:	MODEL NUMBERS:
--	-----------------------

CLASS 2 (PELV) TERMINAL CONNECTIONS

Connect Drain/Shield as shown. Terminate only at Power Panel if Drain Terminal is provided. It is easiest to connect the bare drain wires and cut off the outside shield throughout the control link.

Lutron recommends you make all connections in the Control Unit's wallbox. Remote connections must be in a switchbox or junction box with a maximum wire length of 8 ft. (2.5m) from the link to the connected unit.



JOB NAME:	MODEL NUMBERS:
JOB NUMBER:	