

NTGRX-1S-__-__
Entrance Control



Description

- Ideal for large projects that use the maximum number of Wallstations and/or Control Interfaces but still require additional control points.
- Provides line-voltage three-way control for retrofit applications.

Features

- Wires to GRAFIK Eye 3000 Series Control Units using 120 VAC line voltage wiring.
- Wires to GRAFIK Eye 4000 Series Control Units using Class 2 (PELV) wiring.
- Does not require an address.
- Toggles the connected GRAFIK Eye Control Unit between Scene 1 and Off.
- Operates one GRAFIK Eye 3000 or 4000 Series Control Unit.
- Up to ten NTGRX-1S Entrance Controls may be wired in parallel to a single Control Unit.
- Not for use with 2-zone Control Units.

<p>Job Name:</p>	<p>Model Numbers:</p>
<p>Job Number:</p>	

Specifications

Power

Operating voltage: 12 to 40 VDC and 100 to 127 VAC.

Key Design Features

- Meets IEC 801-2. Tested to withstand 15kV electro-static discharge without damage or memory loss.
- Faceplate snaps on with no visible means of attachment.
- Can be ganged to share a common faceplate with NovaT[®] and Vareo[®] Dimmers. Counts as a “small control” for ganging.

System Communications and Capacity

- Does not require an address.
- Does not count toward the maximum number of Wallstations/Control Interfaces on a Class 2 (PELV) link.
- Wires directly to and communicates directly with the GRAFIK Eye 3000 or 4000 Series Control Unit.
- Up to ten NTGRX-1S Entrance Controls may be wired in parallel to the Control Unit.

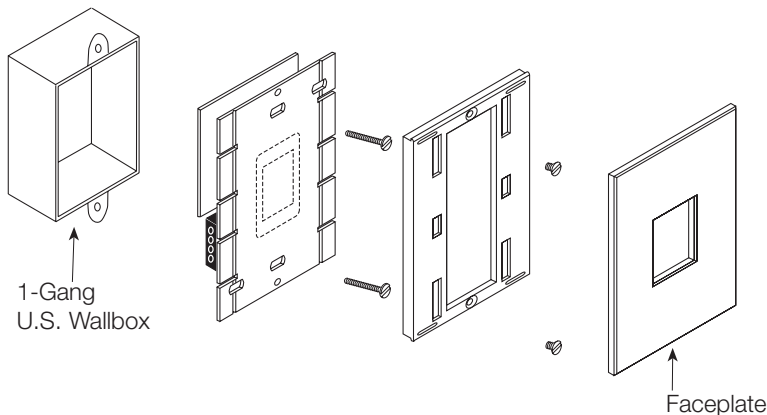
Wires

Two #18 AWG (1.0mm²) wires.

Environment

32-104°F (0-40°C). Relative humidity less than 90% non-condensing.

Mounting



Color and Finish Codes

Matte Finishes

- Standard – Ship in 48 hours
- White WH
 - Ivory IV
 - Beige BE
 - Gray GR
 - Brown BR
 - Black BL

Metal Finishes

- Ship in 4 to 6 weeks
- Bright Brass BB
 - Bright Chrome BC
 - Bright Nickel BN
 - Satin Brass SB
 - Satin Chrome SC
 - Satin Nickel SN
 - Antique Brass QB
 - Antique Bronze QZ

Anodized Aluminum Finishes

- Ship in 4 to 6 weeks
- Clear CLA
 - Black BLA
 - Brass BRA

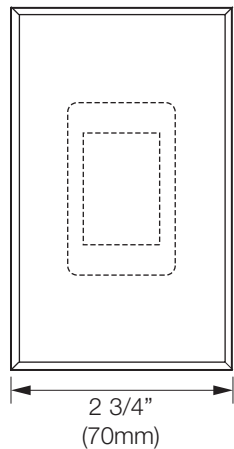
Engraving E

Also available:

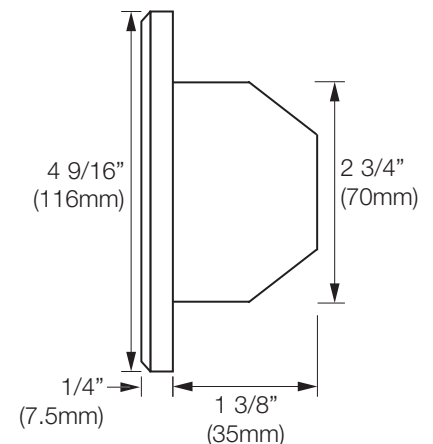
- Custom Controls
 - Color Matching
- Ship in 4 to 6 weeks. Pricing may vary depending on finishes.

Dimensions

Front View



Side View



Job Name:	Model Numbers:
Job Number:	

Wiring

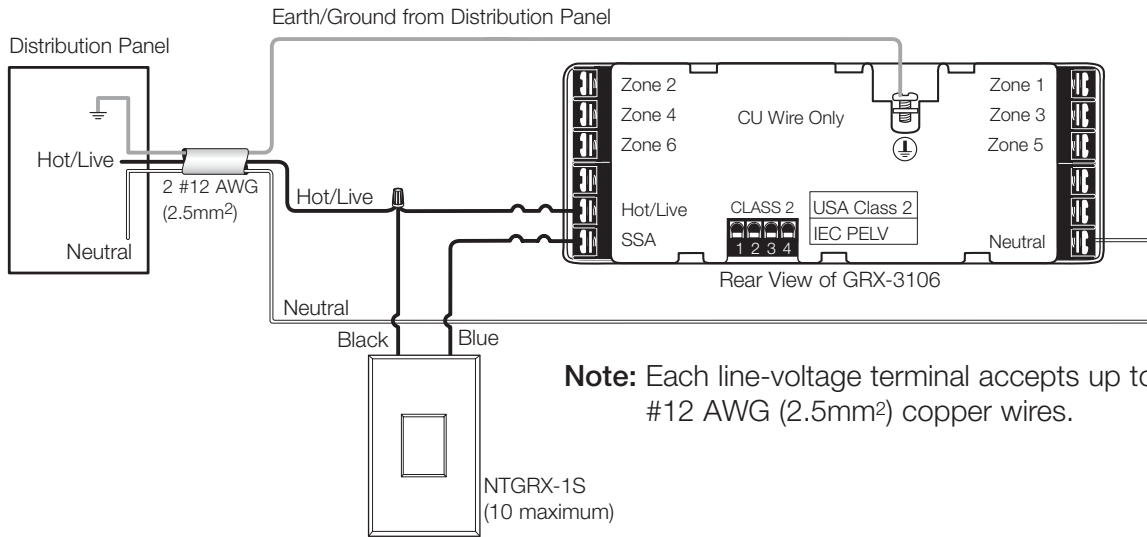
When used with GRAFIK Eye 3000 Series Control Units



NTGRX-1S connects to 3000 Series Control Units using 120 VAC.

Connect to the appropriate line-voltage terminals.

Connecting 120 VAC to the low-voltage Class 2 (PELV) terminals may cause damage to lighting controls or injury.

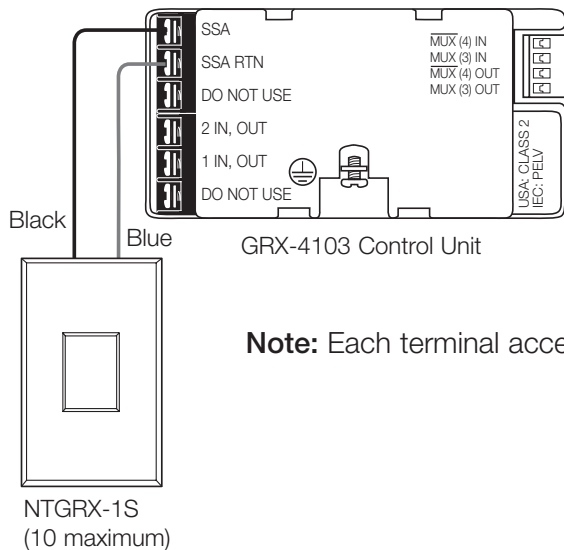


When used with GRAFIK Eye 4000 Series Control Units



All connections to 4000 Series Control Units are Class 2 (PELV).

Connecting 120 VAC to any terminals on 4000 Series Control Units may cause damage to lighting controls or injury.



Job Name:	Model Numbers:
Job Number:	