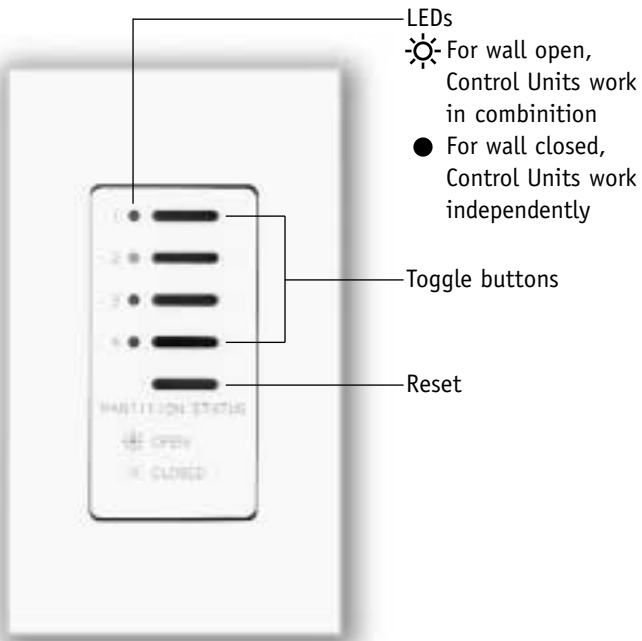


COLOR AND FINISH CODES

NTGRX-4PS-___-___ Partitioning Control



DESCRIPTION

The Partition Control can coordinate lighting for up to four movable walls (five rooms). You set up each toggle button to operate the Control Units associated with a movable wall.

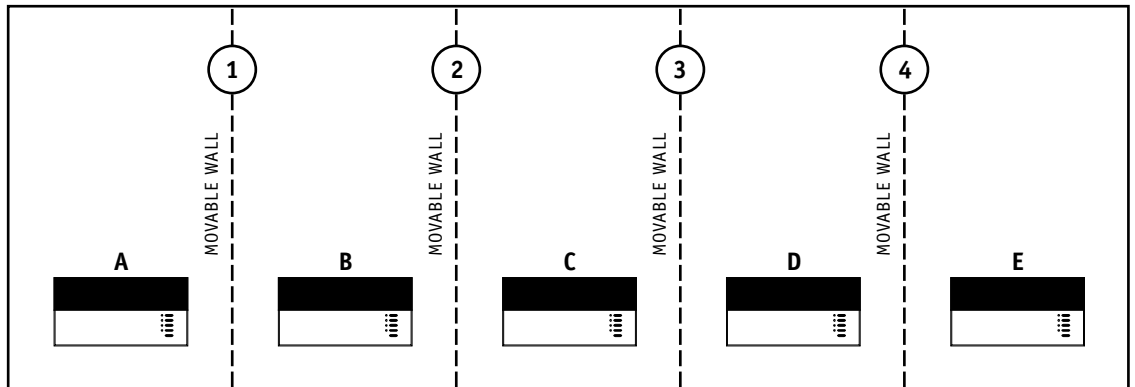
- When the wall is open to make one large space, the user presses the wall's toggle button to make the LED light up. The GRAFIK Eye Control Units assigned to the buttons now work "in combination." Scene changes at one Control Unit occur on all these Control Units.
- When the wall is closed to make several smaller spaces, the user presses the wall's toggle button to turn off the LED. Now the Control Units work independently.

The last button resets all Control Units to independent operation.

The example shows how to use the Partition Control for a space with four movable walls.

FOR EXAMPLE

This toggle button...	Is set up for this wall...	To operate these Control Units:
Button 1	Wall 1	A and B
Button 2	Wall 2	B and C
Button 3	Wall 3	C and D
Button 4	Wall 4	D and E



JOB NAME:	MODEL NUMBERS:
JOB NUMBER:	

SPECIFICATIONS

Power

Operating voltage: Low-voltage type Class 2(PELV), 12VDC to 24VFW.

Key Design Features

- Meets IEC 801-2. Tested to withstand 15kV electrostatic discharge without damage or memory loss.
- Has faceplate that snaps on with no visible means of attachment.
- Can be ganged to share a common faceplate with NovaT☆ and Vareo Dimmers. For ganging, counts as a "small control."

System Communications and Capacity

- Low-voltage type Class 2 (PELV) wiring connects Wallstations to Control Units and other components.
- You can link up to 8 Control Units and up to 16 total Wallstations and/or Control Interfaces for a total of 24 control points.

Terminals

Capacity: Accept up to two #18 AWG (1.0mm²) typical.

Environment

32-104°F (0-40°C). Relative humidity less than 90% non-condensing.

COLOR AND FINISH CODES

Matte Finishes

Standard – Ships in 48 hours

- White **WH**
- Ivory **IV**
- Beige **BE**
- Gray **GR**
- Brown **BR**
- Black **BL**

Metal Finishes

Ships in 4 to 6 weeks

- Bright Brass **BB**
- Bright Chrome **BC**
- Bright Nickel **BN**
- Satin Brass **SB**
- Satin Chrome **SC**
- Satin Nickel **SN**
- Antique Brass **QB**
- Antique Bronze **QZ**

Anodized Aluminum

Ships in 4 to 6 weeks

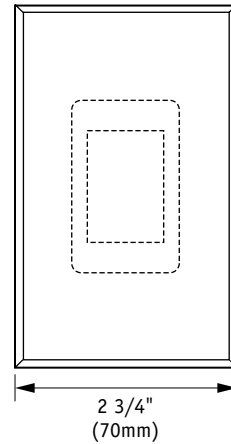
- Clear **CLA**
- Black **BLA**
- Brass **BRA**

- Engraving **E**
- No Insert **NI**

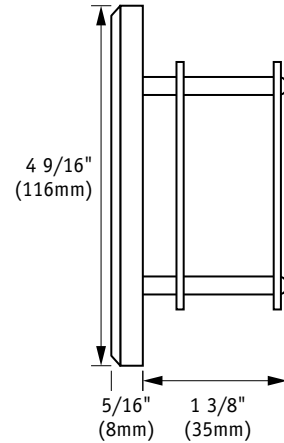
Custom Controls, color matching, and engraving available – Ships in 4 to 6 weeks. Pricing may vary depending on finishes.

DIMENSIONS

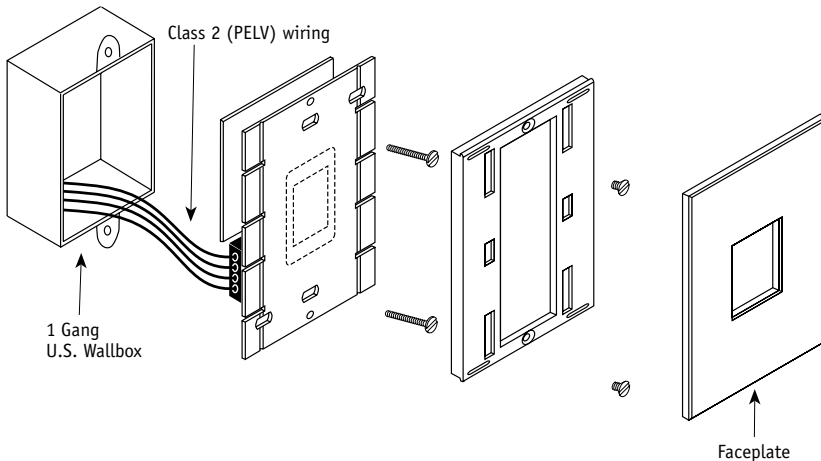
Front View



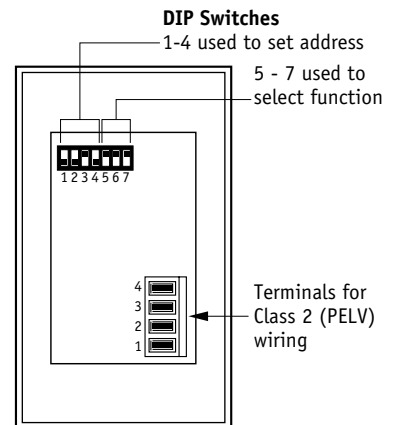
Side View



MOUNTING



Back View



JOB NAME:	MODEL NUMBERS:
JOB NUMBER:	

Wallstation Installation

DIP SWITCHES

- Set DIP switches 1-4 to give the Wallstation the unique system address from 1 to 16.
- Set additional DIP switches (if any) to specify function as shown on the first page of the Wallstation's Specification Submittal.

Address	DIP SWITCH SETTINGS			
	1	2	3	4
1				
2				
3				
4				
5				
6				
7				
8				
9				
10				
11				
12				
13				
14				
15				
16				

Reserved for GRX-PRG, if present on link.

LOW-VOLTAGE CLASS 2 (PELV) WIRING

- Use low-voltage Class 2 (PELV) wiring to daisy-chain Wallstations to Control Units and other components.
- Make connections inside the wallbox. Or in a switchbox or junction box with a maximum wire length of 8 feet (2.5m) from the link to the Wallstation.

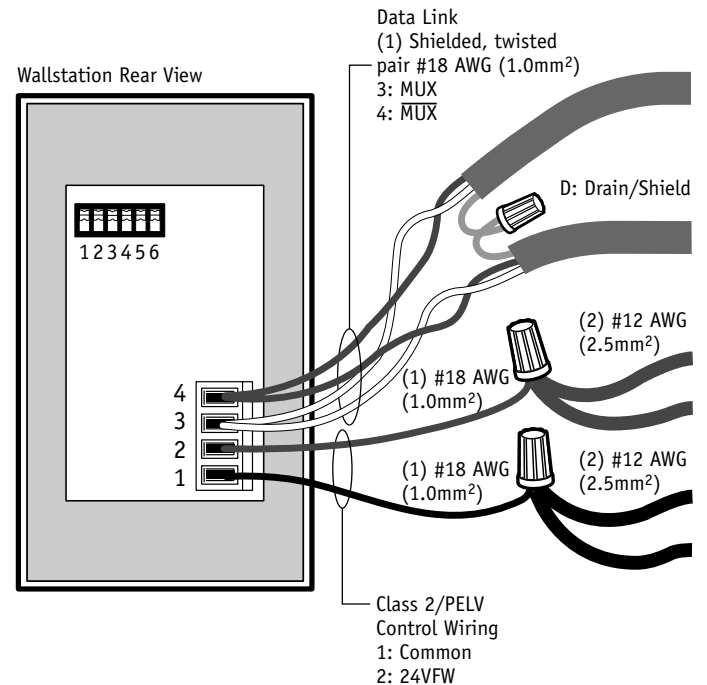
Note: EGRX Eurostyle Wallstations have a D terminal for Drain. You can connect the Drain/Shield at this terminal.

When used with GRX-3000 Control Units

- Two #18 AWG (1.0mm²) conductors for common (terminal 1) and 12VDC (terminal 2). Make sure you wire the terminal 2 connection correctly. Refer to GRX-3000 Specification Submittal.
- One shielded, twisted pair #18 AWG (1.0mm²) for data link (terminals 3 and 4).

When used with GRX-4000 Control Units

- Two #12 AWG (2.5mm²) conductors for common (terminal 1) and 24VFW (terminal 2). These won't fit in terminals. Connect as shown.
- One shielded, twisted pair #18 AWG (1.0mm²) for data link (terminals 3 and 4).
- Connect Drain/Shield as shown.
 - Do not connect to Ground (Earth) or Wallstation.
 - Connect the bare drain wires and cut off the outside shield.



JOB NAME:	MODEL NUMBERS:
JOB NUMBER:	