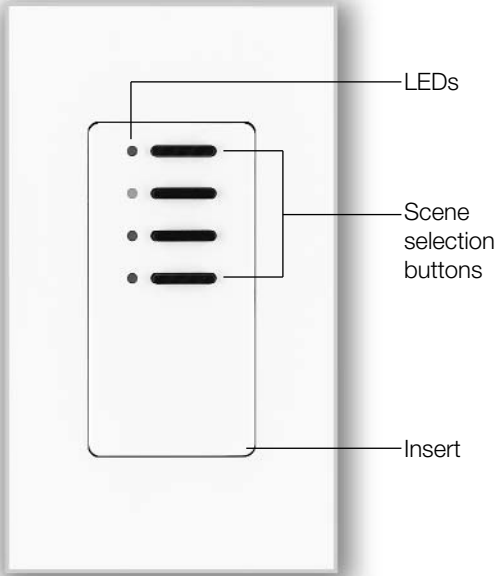


Color and Finish Codes

NTOMX-4B-__-__
4-Button Wallstation



Description

- Recalls preset light levels for four scenes.
- Reflects door status of four partitions.
- Selects OMX-DACPI Daylight Control bank of scenes.
- May be ganged with the NTOMX-4S Wallstation to give occupants access to 8, 12, or 16 scenes.
- May be custom-configured for other functions.
- Works with GRAFIK 5000/6000/7000 Systems.

Finish and Engraving Options

- Available with engraving to meet specific project needs.
- Available in a “no-insert” version for a sleeker look.
- Green LEDs are standard. Amber LEDs are optional.

Job Name: Job Number:	Model Numbers:
--	-----------------------

Specifications

Power

Low-voltage type Class 2 (PELV).
Operating voltage: 32 V Direct Current.

Key Design Features

- Meets IEC 801-2. Tested to withstand 15kV electro-static discharge without damage or memory loss.
- Faceplate snaps on with no visible means of attachment.
- Can be ganged to share a common faceplate with NovaT* and Vareo Dimmers. Counts as a "small control" for ganging.

System Communications and Capacity

- Low-voltage type Class 2 (PELV) wiring connects Wallstations to Processor Panel.
- Up to 32 Wallstations, Control Units, and/or Control Interfaces may be connected per Class 2 (PELV) wiring link.

Terminals

Accept up to two #18 AWG (1.0mm²) typical.

Environment

32-104°F (0-40°C). Relative humidity less than 90% non-condensing.

Color and Finish Codes

Matte Finishes

Standard – Ship in 48 hours
 White WH
 Ivory IV
 Beige BE
 Gray GR
 Brown BR
 Black BL

Metal Finishes

Ship in 4 to 6 weeks
 Bright Brass BB
 Bright Chrome BC
 Bright Nickel BN
 Satin Brass SB
 Satin Chrome SC
 Satin Nickel SN
 Antique Brass QB
 Antique Bronze QZ

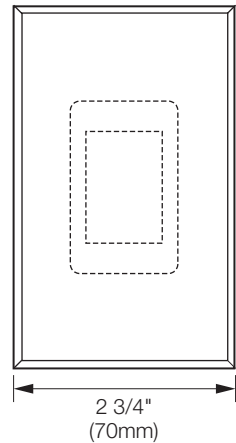
Anodized Aluminum Finishes

Ship in 4 to 6 weeks
 Clear CLA
 Black BLA
 Brass BRA
 Engraving E
 No Insert NI

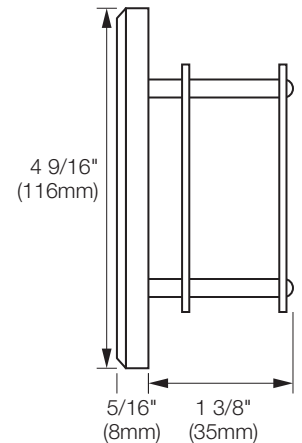
Also available:
 -Custom Controls
 -Color Matching
 Ship in 4 to 6 weeks. Pricing may vary depending on finishes.

Dimensions

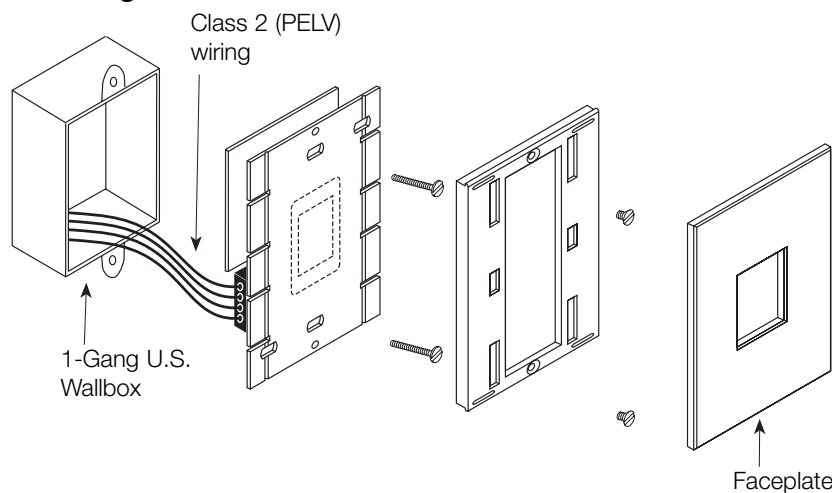
Front View



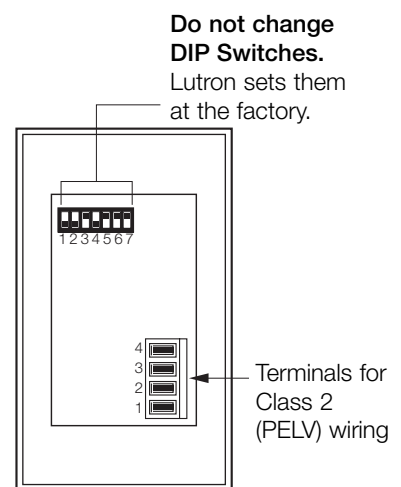
Side View



Mounting



Back View



Job Name:

Model Numbers:

Job Number:

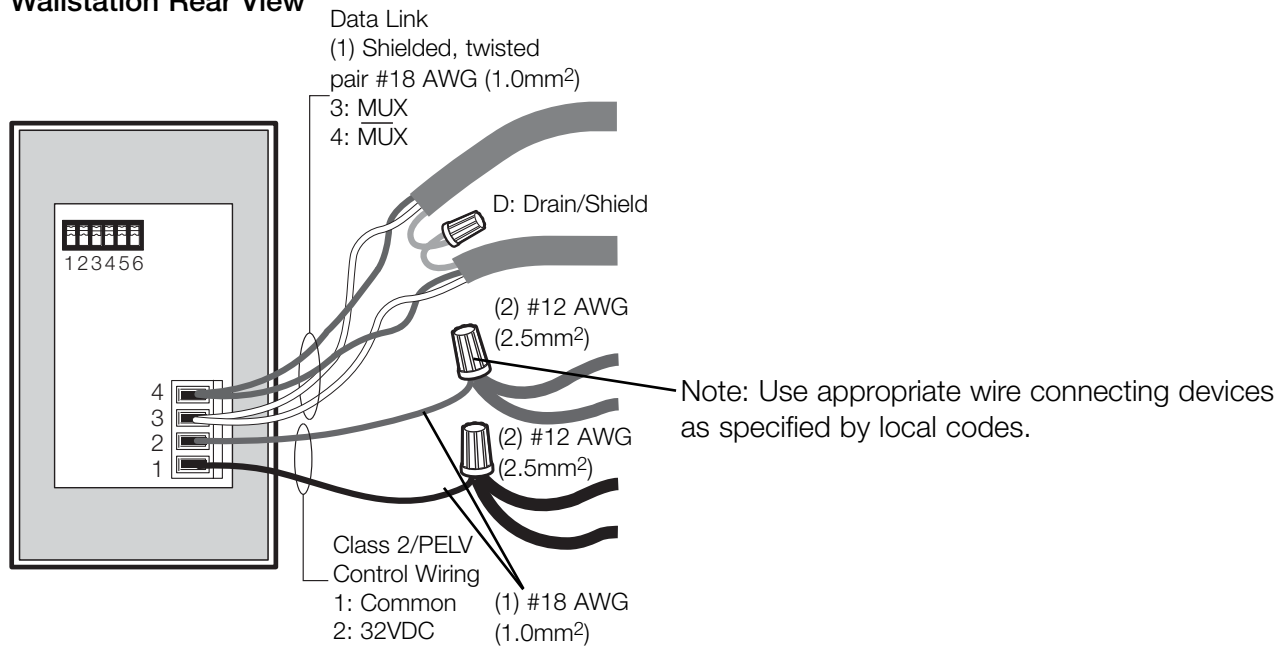
Wallstation Installation

Low-voltage Class 2 (PELV) Wiring

- Use low-voltage Class 2 (PELV) wiring to daisy-chain Wallstations to the Processor Panel.
- Make connections inside the wallbox or in a switch/junction box with a maximum wire length of 8 feet (2.5m) from the link to the Wallstation.
- Two #12 AWG (2.5mm²) conductors for common (terminal 1) and 32VDC (terminal 2). These will not fit in terminals. Connect as shown.
- One shielded, twisted pair #18 AWG (1.0mm²) for data link (terminals 3 and 4).
- Connect Drain/Shield as shown. Do not connect to Ground (Earth) or Wallstation. Connect the bare drain wires and cut off the outside shield.

Note: Some Wallstations have a “D” terminal for Drain. The Drain/Shield wire may be connected to this terminal.

Wallstation Rear View



Job Name:	Model Numbers:
Job Number:	