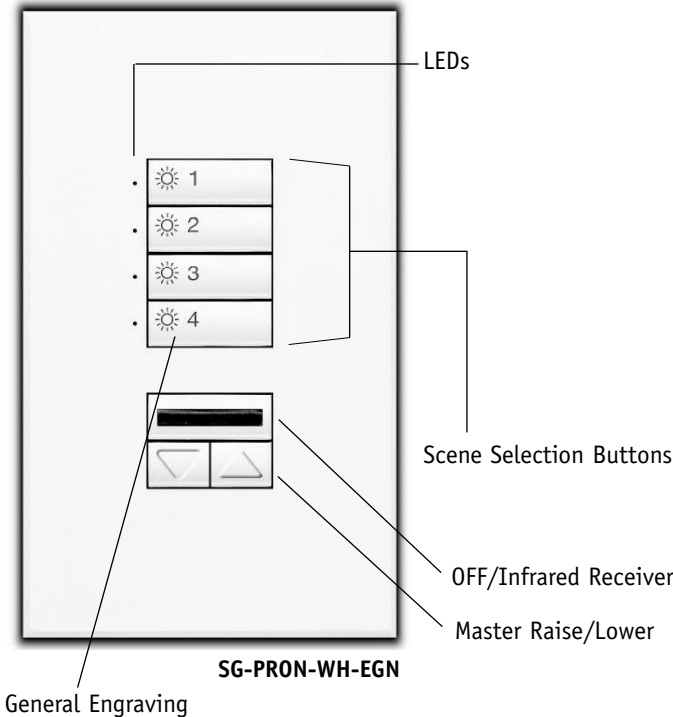


COLOR AND FINISH CODES

SG-PRON-__-__-__-__-__-__ 5-Button Programming Wallstation with Infrared Receiver

Program scene intensities using a PALM PDA.



DESCRIPTION

Allows the user to set scenes for a complete system of GRX-3500 or GRX-4500 units using a PDA at the wallstation.

When used with a PALM PDA and available software, the user is able to:

- Select scenes 1-16 and off on any GRX unit in the system.
- Raise or lower any zone in the system.
- Save the new zone levels as the current scene.

For more information on the software required contact Lutron or visit www.lutron.com.

When used without a PALM PDA, the wallstation offers the standard functionality and benefits of the SG-4SIRN wallstation.

- Large, rounded buttons are easy to touch.
- Backlit buttons with optional on-button engraving make it easy to find and operate the control in low light conditions.
- Optional on-button engraving is angled up to the eye for easy reading.
- Scene selection buttons activate scenes 1 to 4, 5 to 8, 9 to 12, or 13 to 16 depending on how you set DIP switches 5 and 6.
- Infrared receiver lets a GRX-IT 4-Scene Wireless Remote Control select and adjust scenes 1 to 4, 5 to 8, 9 to 12, or 13 to 16. The GRX-8IT 8-Scene Wireless Remote Control can select and adjust scenes 1 to 8, 5 to 12, 9 to 16, or 13 to 16/1 to 4.
- Off button turns lights off.
- Status LEDs show which scene is selected.
- Master raise/lower button brightens or dims the selected scene.

SPECIAL FINISH AND ENGRAVING

- On-button engraving is available for improved clarity of control functions in low light conditions.
- Three engraving options are available: General Engraving, Standard Engraving, & Non-Standard Text Engraving. For more details, please refer to the *seeTouch* Ordering Guide (P/N 367-274) or visit the website at www.lutron.com/seeTouch.

FUNCTIONS

DIP SWITCH SETTINGS	Scene selection buttons and GRX-IT 4-Scene Wireless Remote Control activate...	GRX-8IT 8-Scene Wireless Remote Control activates...
5 6 	Scenes 1 to 4	Scenes 1 to 8
	Scenes 5 to 8	Scenes 5 to 12
	Scenes 9 to 12	Scenes 9 to 16
	Scenes 13 to 16	Scenes 13 to 16/1 to 4



Please note: DIP Switches 7-10 are set at the factory. Consult Lutron when changing 7-9(may change functionality of control). Dip switch 10 controls the button backlight.All settings are explained in the product installation guide.

LUTRON® SPECIFICATION SUBMITTAL

JOB NAME:	MODEL NUMBERS:
JOB NUMBER:	

SPECIFICATIONS

Power

Operating voltage: Low-voltage type Class 2(PELV), 12VDC to 24VFW.

Key Design Features

- Field-changeable button and faceplate assemblies make for easy customization.
- Front accessible DIP switches allow change of function without removing the unit from the wall.
- Meets IEC 801-2. Tested to withstand 15kV electro-static discharge without damage or memory loss.
- Has faceplate that snaps on with no visible means of attachment.
- Use Button Replacement Kits to change color, button configuration, engraving, or between insert and non-insert versions.

System Communications and Capacity

- Low-voltage type Class 2 (PELV) wiring connects Wallstations to Control Units and other components.
- You can link up to 8 Control Units and up to 16 total Wallstations and/or Control Interfaces for a total of 24 control points.

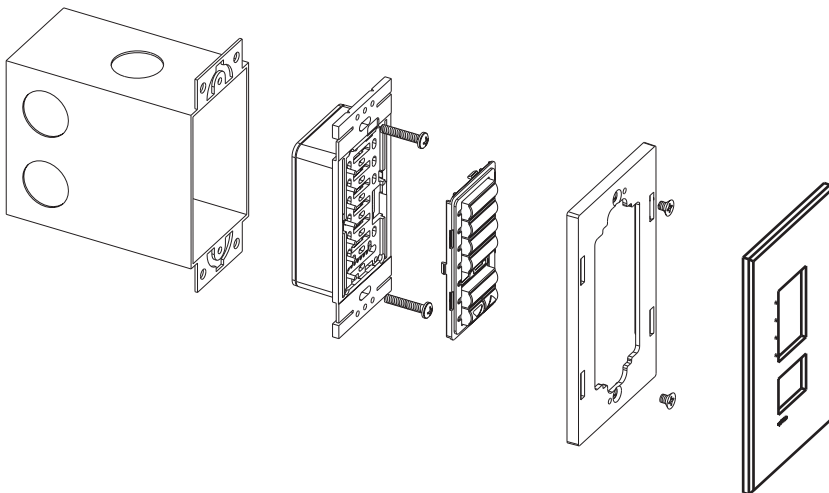
Terminals

Capacity: Accept up to two #18 AWG (1.0mm²) typical.

Environment

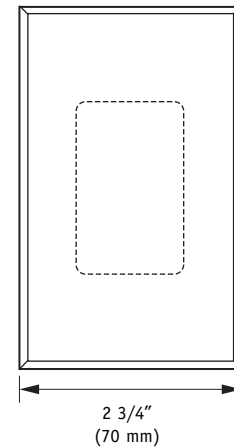
32-104°F (0-40°C). Relative humidity less than 90% non-condensing.

MOUNTING- Typical backbox dimensions: 95mm (3.74") high, 55mm (2.17") wide, 70mm (2.75") deep.

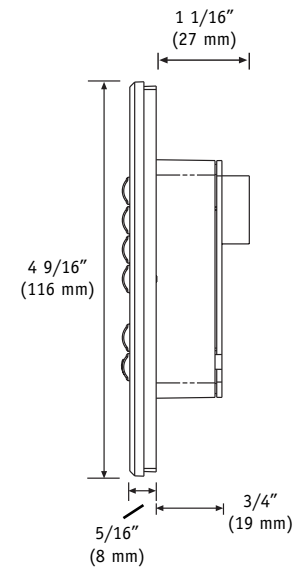


DIMENSIONS

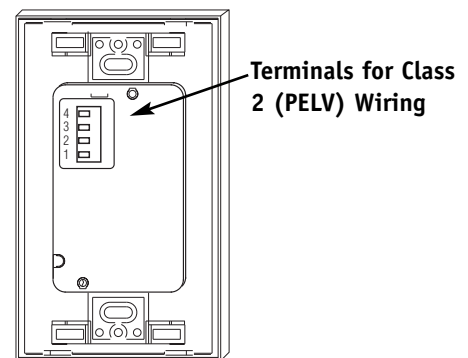
Front View



Side View



Back View



JOB NAME:	MODEL NUMBERS:
JOB NUMBER:	

Wallstation Installation

DIP SWITCHES

- Set DIP switches 1-4 to give the Wallstation the unique system address from 1 to 16.
- Set additional DIP switches (if any) to specify function as shown on the first page of the Wallstation's Specification Submittal.
- Dip switch 10 controls the button backlight.

Address	DIP SWITCH SETTINGS			
	1	2	3	4
1	☐	☐	☐	☐
2	☐	☐	☐	☑
3	☐	☐	☑	☑
4	☐	☐	☑	☑
5	☐	☑	☑	☑
6	☐	☑	☑	☑
7	☐	☑	☑	☑
8	☐	☑	☑	☑
9	☑	☑	☑	☑
10	☑	☑	☑	☑
11	☑	☑	☑	☑
12	☑	☑	☑	☑
13	☑	☑	☑	☑
14	☑	☑	☑	☑
15	☑	☑	☑	☑
16	☑	☑	☑	☑

Reserved for GRX-PRG, if present on link.

LOW-VOLTAGE CLASS 2 (PELV) WIRING

- Use low-voltage Class 2 (PELV) wiring to daisy-chain Wallstations to Control Units and other components.
- Make connections inside the wallbox. Or in a switchbox or junction box with a maximum wire length of 8 feet (2.5m) from the link to the Wallstation.

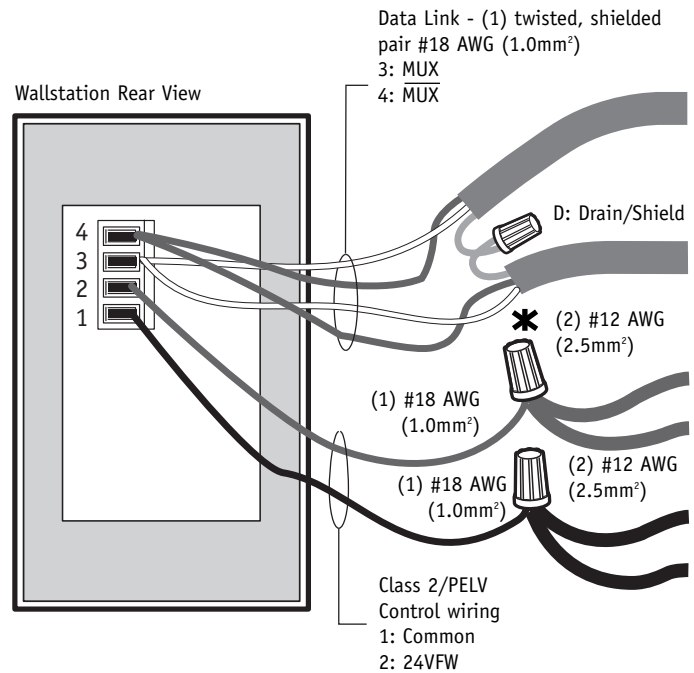
Note: EGRX Eurostyle Wallstations have a D terminal for Drain. You can connect the Drain/Shield at this terminal.

When used with GRX-3000 Control Units

- Two #18 AWG (1.0mm²) conductors for common (terminal 1) and 12VDC (terminal 2). Make sure you wire the the terminal 2 connection correctly. Refer to GRX-3000 Specification Submittal.
- One shielded, twisted pair #18 AWG (1.0mm²) for data link (terminals 3 and 4).

When used with GRX-4000 Control Units

- Two #12 AWG (2.5mm²) conductors for common (terminal 1) and 24VFW (terminal 2). These won't fit in terminals. Connect as shown.
- One shielded, twisted pair #18 AWG (1.0mm²) for data link (terminals 3 and 4).
- Connect Drain/Shield as shown.
 - Do not connect to Ground (Earth) or Wallstation.
 - Connect the bare drain wires and cut off the outside shield.
- * Use appropriate wire connecting devices as specified by local codes.



JOB NAME:	MODEL NUMBERS:
JOB NUMBER:	

Color/Finish and Customizing Information

COLORS/FINISH

Matte Finishes

White	WH
Ivory	IV*
Beige	BE
Gray	GR*
Brown	BR
Black	BL

* GR, IV not currently backlighted

Metal Finishes

(Standard with Black Plastic Buttons)

Bright Brass	BB
Bright Chrome	BC
Bright Nickel	BN
Satin Brass	SB
Satin Chrome	SC
Satin Nickel	SN
Antique Brass	QB
Antique Bronze	QZ

Gloss Finishes

(Available with Insert (I) style controls only; ship with Claro® style faceplates)

White	GWH
Light Almond	GLA

Anodized Aluminum

Clear	CLA
Black	BLA
Brass	BRA

Backlighting Notes:

Illuminated text (translucent text on buttons) is available for these colors: BL and BR (also applies to all metal finishes).

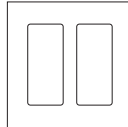
Illuminated buttons (with black text on buttons) are available for these colors/finishes: WH, BE, GR, GWH*, GLA*.

* Insert (I) style controls only

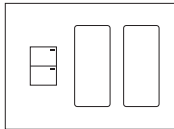
MULTI-GANGING

1. Order Insert (I) style controls.
2. To order new Wallplates for multi-ganging, specify "R3" openings in a Lutron NovaT multi-gang FB (fins broken) Series model number.

Examples:



Wallplate for 2 Seetouch Wallstations, Model # **NT-R3-R3-FB**-(color)



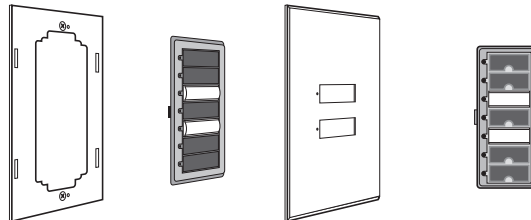
Wallplate for other Lutron controls and 2 Seetouch Wallstations, Model # **NT-T8-R3-R3-FB**-(color)

Note: New button inserts are **not** included with multi-ganging Wallplates.

BUTTON REPLACEMENT KITS

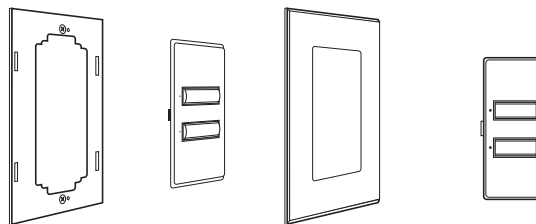
Use Button Replacement Kits to change: colors, button configuration, engraving, between insert and non-insert versions.

Non-Insert Kit



Each Kit includes an adapter, button assembly, and wallplate

Insert Kit



JOB NAME:	MODEL NUMBERS:
JOB NUMBER:	