

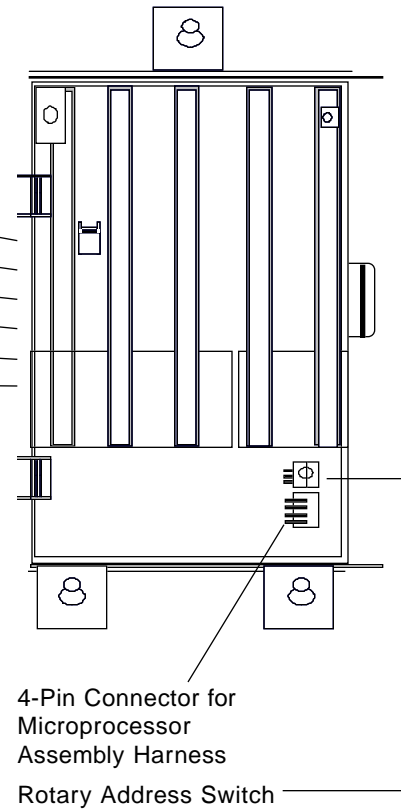
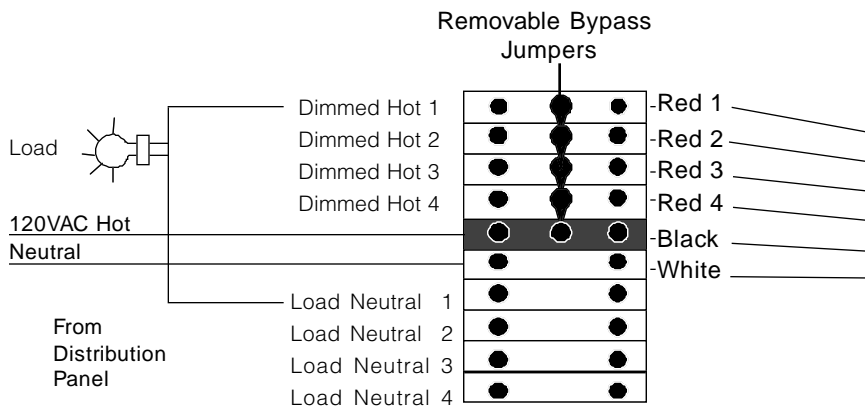
HOMEWORKS™ Remote Power Module

LUTRON SPECIFICATION SUBMITTAL

**HW-RPM
-4U-120
-4S-120**

Remote Power Module

Job Name		Job No.
Location		Zones Controlled
Model No. HW-RPM-4U-120, RPM-4S-120		
Zone No.	Description	Load
1		
2		
3		
4		



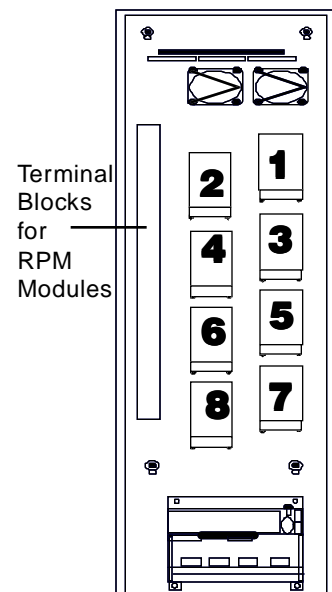
► Specifications

INPUT FEED	120VAC; 20 Amps
MODULE RATING	120VAC; 16 Amps (1920VA).
ZONE CAPACITY	120VAC; 16 Amps (1920VA)
LOAD TYPES/CAPACITIES	Maximum for each zone. Incandescent Magnetic Low Voltage, Electronic Low Voltage, Fluorescent (non-dim).

► Function

The Remote Power Module is a component of the HomeWorks Lighting Control System. It is used to control up to 4 zones of lighting, each of which may be dimmable (4U Module) or non-dimmable (4S Module). The RPM module mounts in a

Remote Power Panel (RPP) in one of eight (8) possible mounting locations. Each RPM has a dedicated terminal block which provides wiring connection facilities for input feed and 4 controllable output circuits.

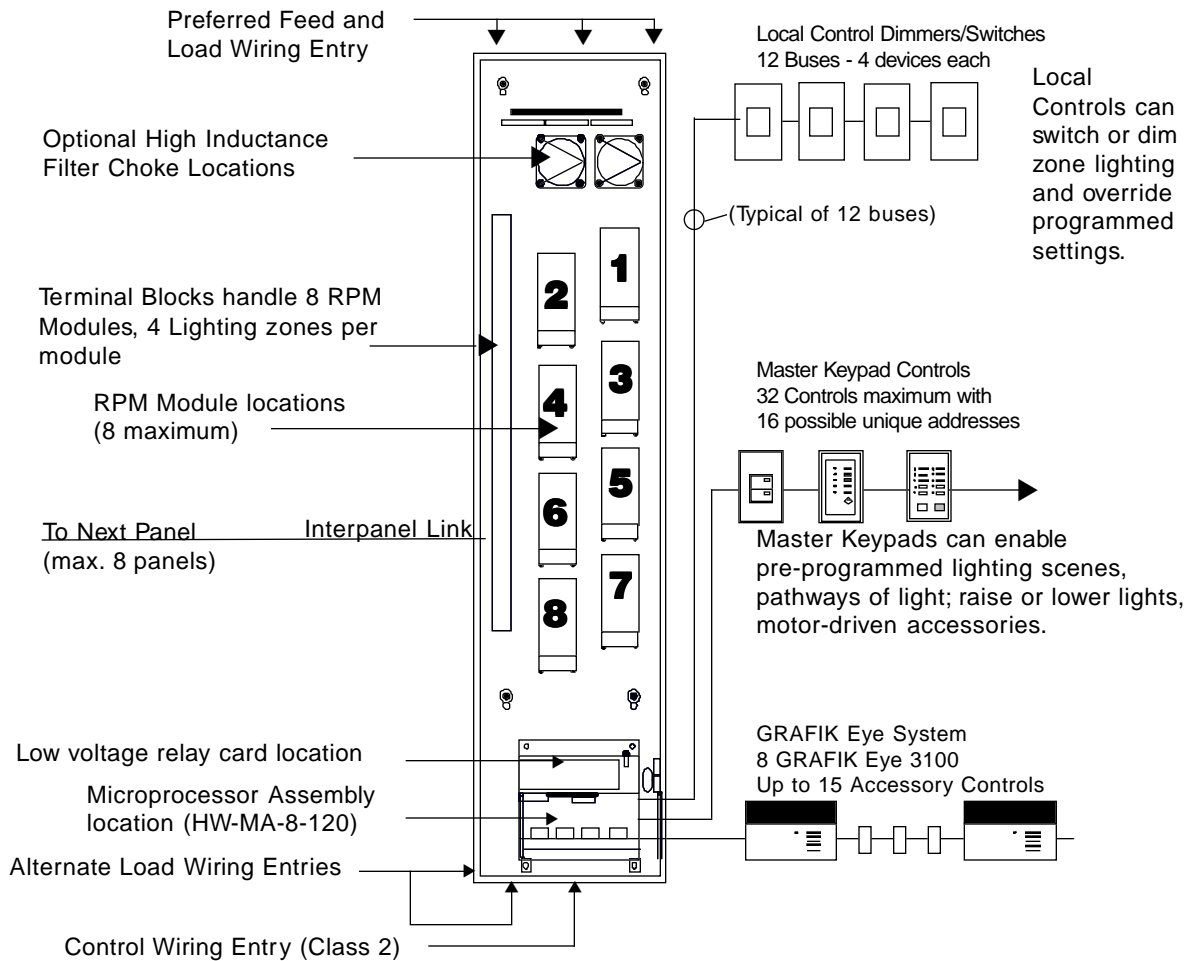


Remote Power Panel HW-PNL-8

LUTRON
Lutron Electronics Co., Inc.
7200 Suter Road
Coopersburg, PA 18036 USA
4/96 P/N 362-817

For additional submittal sheets, call our Hot Line and Fax-on-Demand Service at 1-800-523-9466 or visit Lutron's Website at <http://www.lutron.com/resi>

► Overview of HomeWorks Integrated System



► Addressing

Each module has a rotary address switch which is set to match the module's position in the panel.

► Diagnostics

Each module has a diagnostic LED which can be used to test each of the module's outputs. Additional diagnostics can also be performed with the HomeWorks Windows-based software.

Warranty

Lutron will, at its option, repair or replace any control that is defective in materials or manufacture within two years after the purchase. This warranty is in lieu of any other warranties, express or implied and the implied warranty of merchantability is limited to two years from purchase. This warranty does not cover the cost of installation, removal or reinstallation, or damage resulting from misuse, abuse or improper wiring or insulation.

This warranty gives you specific legal rights, and you may also have other rights which vary from state to state. Some states do not allow the exclusion or limitation of incidental or consequential damages or limitations on how long an implied warranty may last, so the above limitations and exclusions may not apply to you.