

# HOMEWORKS™ Remote Power Panel

**HW-PNL8  
-SMC,  
-RMC**

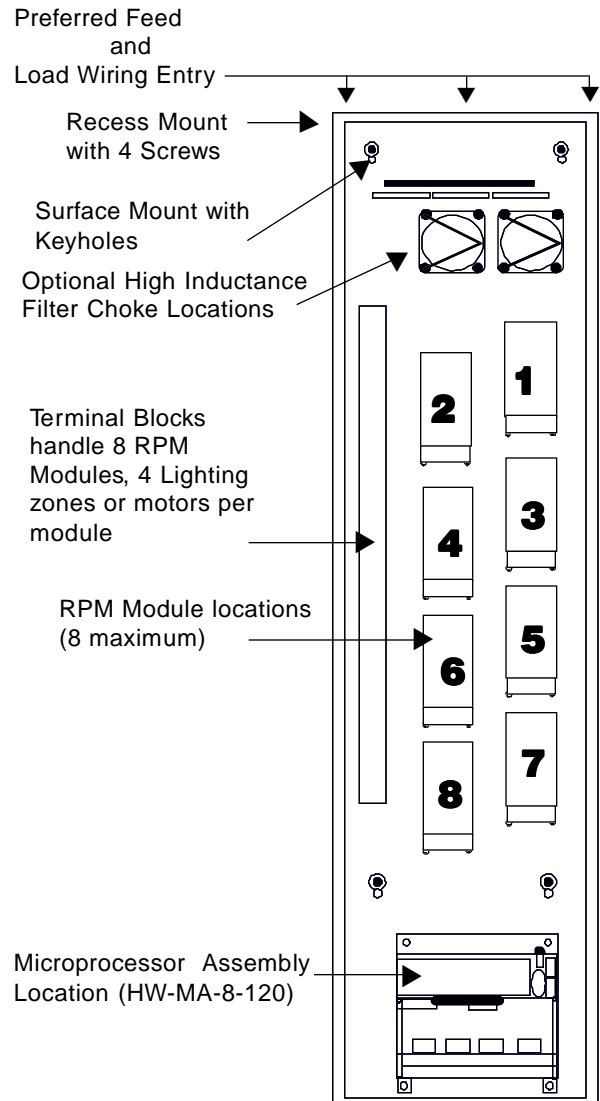
## LUTRON SPECIFICATION SUBMITTAL

Job Name	Job Number
Location	
Model No. HW-PNL8, -SMC, -RMC	

## Remote Power Panel

### ► Specifications

PANEL DIMENSIONS	59" H x 14.38 W X 3.78" D.
COMPONENTS HOUSED	8 Remote Power Modules: HW-RPM-4U-120 HW-RPM-4M-120 HW-RPM-4S-120  Microprocessor Assembly: HW-MA-8-120  Low Voltage Relay Card: HW-LVOC-8  4 High Inductance Filter Chokes  Terminal Blocks for number of modules to be mounted.
ELECTRICAL CONNECTIONS	Line Voltage Wires enter top or bottom #12AWG max; 9 feeds max; 32 load outputs max.



### ► Function

The Remote Power Panel (HW-PNL8) is an enclosure that houses the central components of a HomeWorks Lighting Control System.

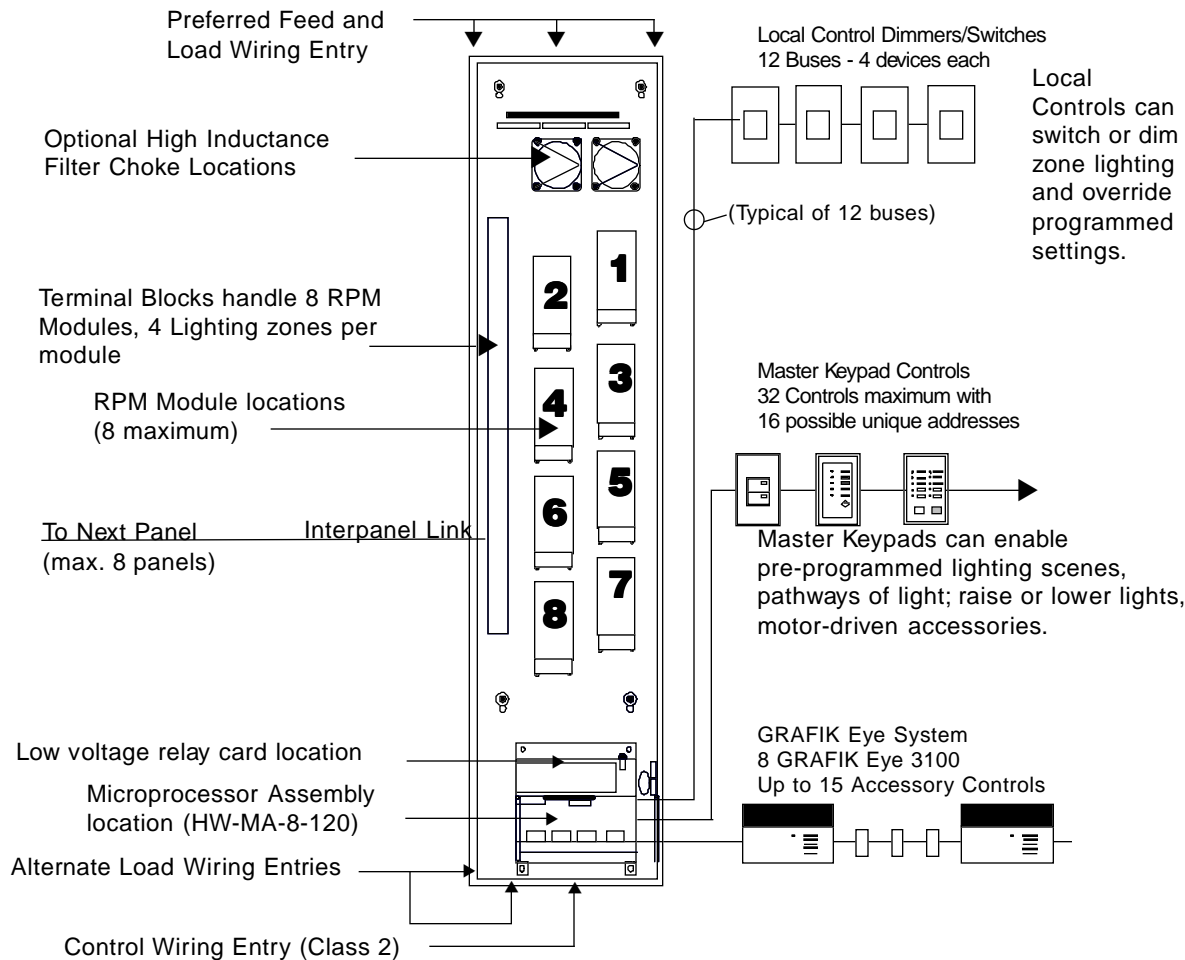
It provides the mounting and wiring terminal facilities for Remote Power Modules, a Microprocessor Assembly, a Low Voltage Relay Card and High Inductance Filter Choke Modules.

It is available with two covers:

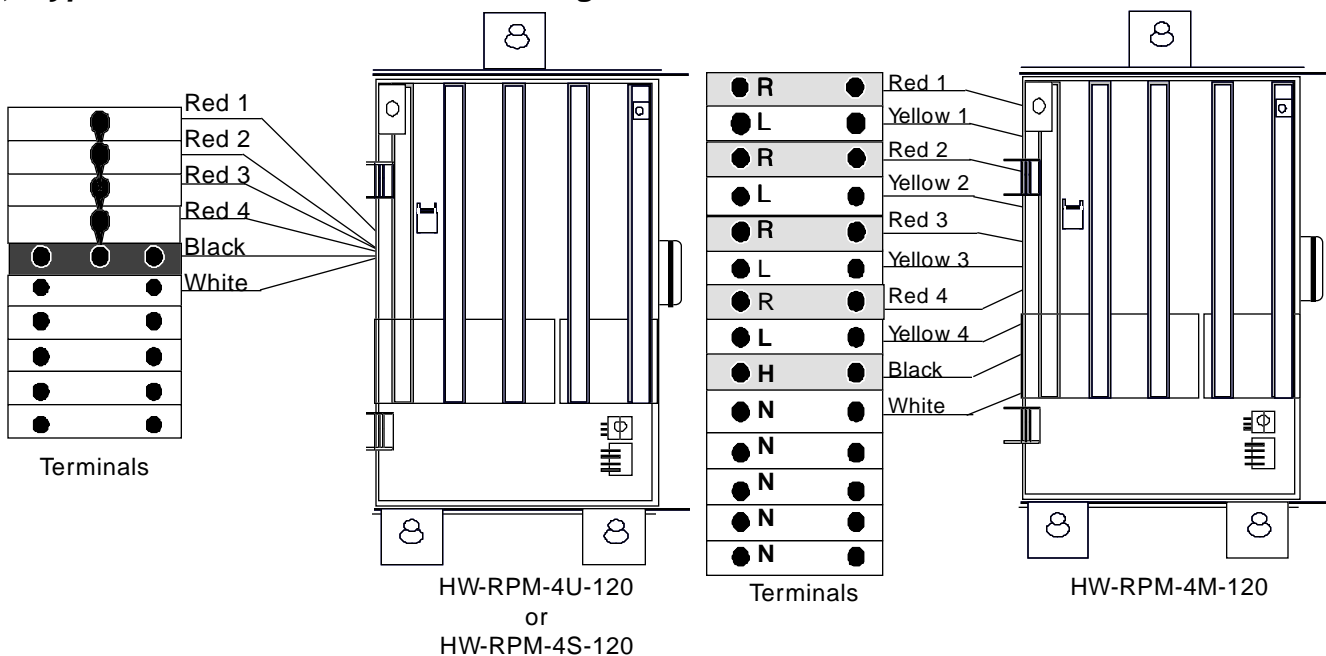
HW-PNL8-SMC....Surface Mount Cover

HW-PNL8-RMC....Recessed Mount Cover

## ► Overview of HomeWorks Integrated System



## ► Typical Remote Power Module Wiring



### Warranty

Lutron will, at its option, repair or replace any control that is defective in materials or manufacture within two years after the purchase. This warranty is in lieu of any other warranties, express or implied and the implied warranty of merchantability is limited to two years from purchase. This warranty does not cover the cost of installation, removal or reinstallation, or damage resulting from misuse, abuse or improper wiring or insulation.

This warranty gives you specific legal rights, and you may also have other rights which vary from state to state. Some states do not allow the exclusion or limitation of incidental or consequential damages or limitations on how long an implied warranty may last, so the above limitations and exclusions may not apply to you.