

# HOMEWORKS™ Remote Power Module

**HW-RPM  
-4M  
-120**

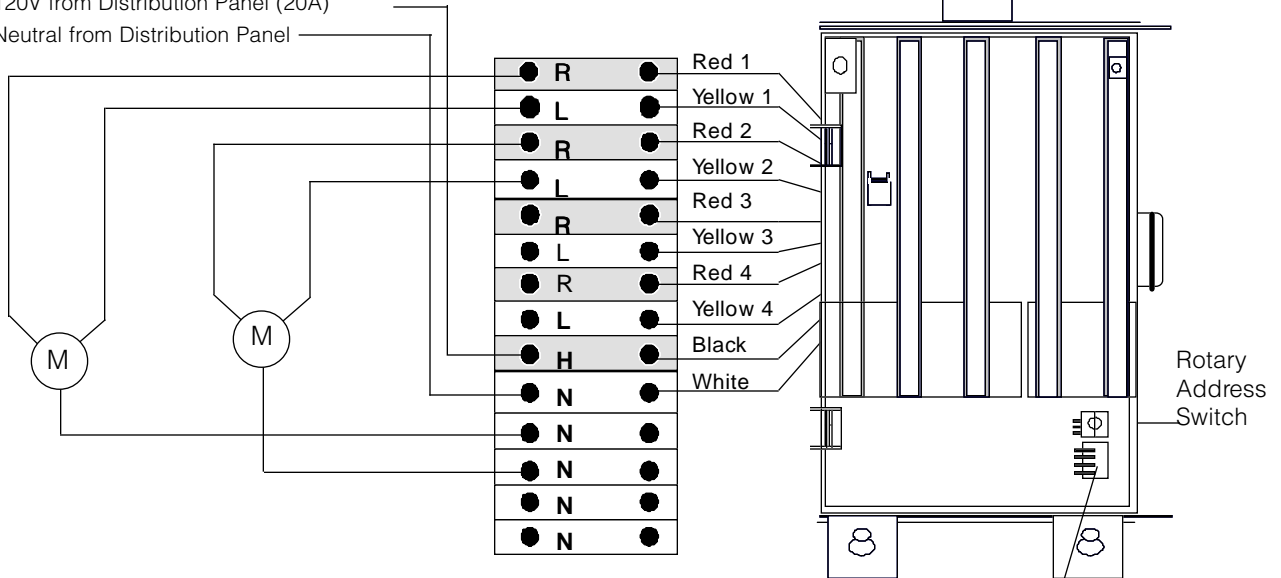
## LUTRON SPECIFICATION SUBMITTAL

Job Name		Job No.
Location		Zones Controlled
Model No. HW-RPM-4M-120		
Zone No.	Description	Load
1		
2		
3		
4		

## Motor Interlock Module

Input 120V from Distribution Panel (20A)

Input Neutral from Distribution Panel



### ► Specifications

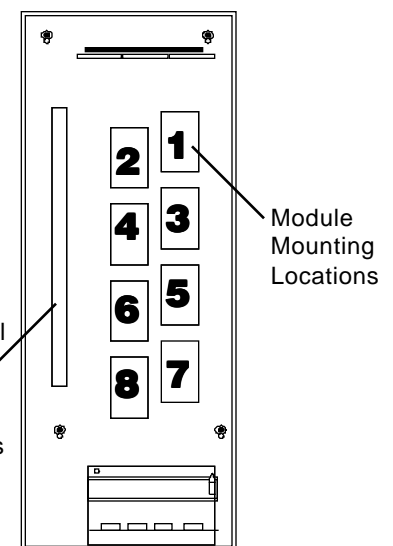
INPUT FEED	120VAC; 20 Amps
OUTPUT CONTACT	120VAC; 5 Amps (1/4 HP).
RATING*	120VAC; 3 Amp tungsten.
TOTAL MODULE CAPACITY	120VAC; 16 Amps (1920VA).
LOADS	Up to (4) 120VAC motors or non-dim loads.
* Outputs are not rated for switching electronic low voltage or electronic ballasts	

### ► Function

The HomeWorks Motor Interlock Module can be used to control four (4) 120VAC motors. Typical applications include motors for drapes, shades and hurricane shutters. Each motor channel has two (2) relay outputs which

are mechanically interlocked to insure both outputs are never simultaneously powered.

4-Pin Connector for Microprocessor Assembly Harness



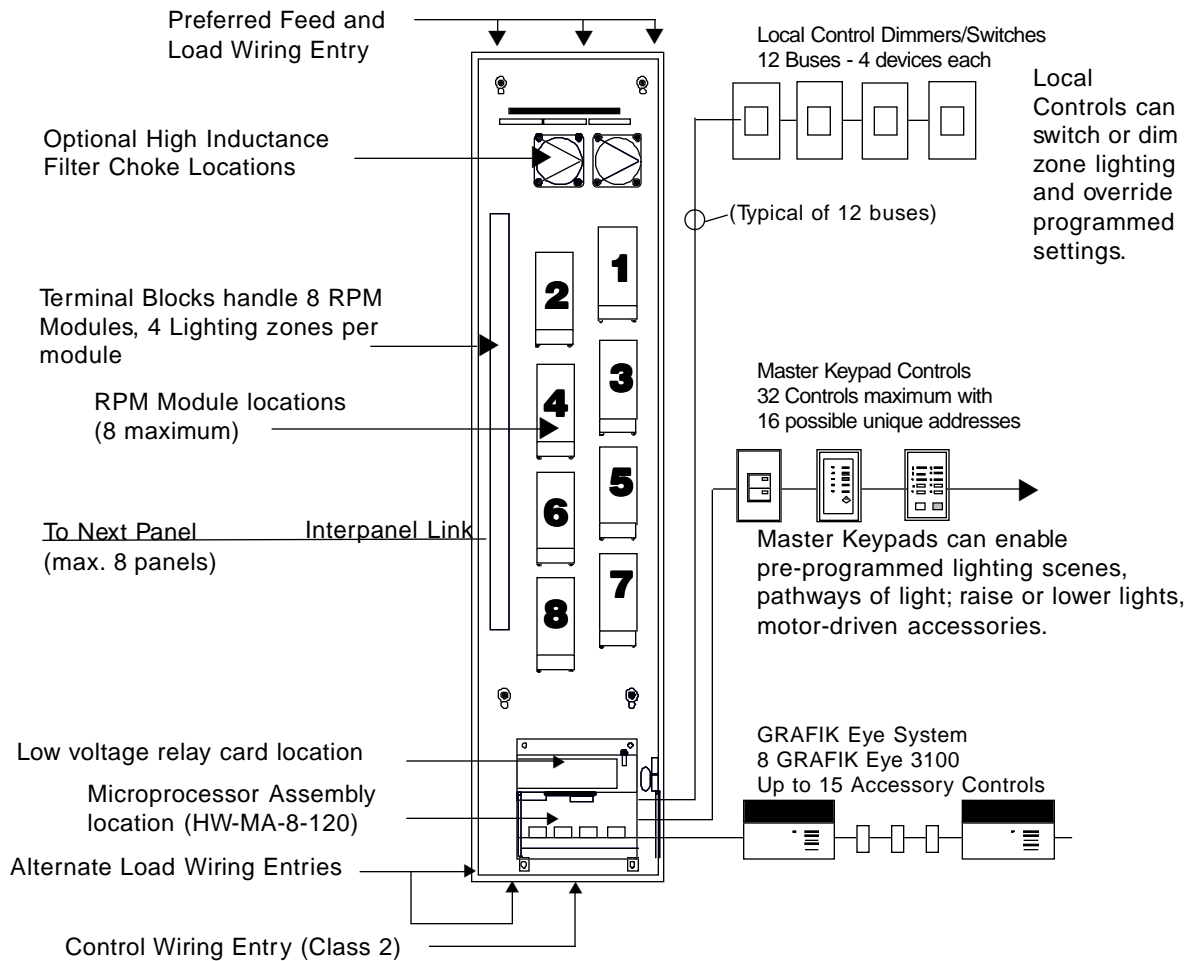
Remote Power Panel HW-PNL8-



Lutron Electronics Co., Inc.  
7200 Suter Road  
Coopersburg, PA 18036, USA  
4/96 P/N 362-820

For additional submittal sheets, call our Hot Line and Fax-on-Demand Service at 1-800-523-9466 or visit Lutron's Website at <http://www.lutron.com/resi>

## ► Overview of HomeWorks Integrated System



## ► Programmable Keypad Options

1. Single button to select a preset scene which may include lighting motors, relays, etc.
2. Two (2) buttons used for OPEN and CLOSED.
3. Three (3) buttons used for OPEN, CLOSED, STOP.
4. Two (2) buttons used in a press and hold manner. One button RAISES as long as button is held; the other LOWERS as long as it is held.
5. Single button which sequentially cycles motors through OPEN-STOP-CLOSE.
6. Two (2) buttons which may be included in conjunction with any of the above. They provide logic function of JOG UP or JOG DOWN.

### **WARNING**

The motor interlock module must not be used to control equipment which is not visible from every keypad control location. It also must not be used to control equipment which could create hazardous situations such as entrapment if operated accidentally. Examples of equipment which must not be controlled by the motor interlock module include (but are not limited to) motorized gates, garage doors, and industrial doors. It is the installer's responsibility to ensure that the equipment being controlled is visible from every keypad control location and that only suitable equipment is connected to the motor interlock module.

### **Warranty**

Lutron will, at its option, repair or replace any control that is defective in materials or manufacture within two years after the purchase. This warranty is in lieu of any other warranties, express or implied and the implied warranty of merchantability is limited to two years from purchase. This warranty does not cover the cost of installation, removal or reinstallation, or damage resulting from misuse, abuse or improper wiring or insulation.

This warranty gives you specific legal rights, and you may also have other rights which vary from state to state. Some states do not allow the exclusion or limitation of incidental or consequential damages or limitations on how long an implied warranty may last, so the above limitations and exclusions may not apply to you.