

HOMEWORKS™ Master Keypad

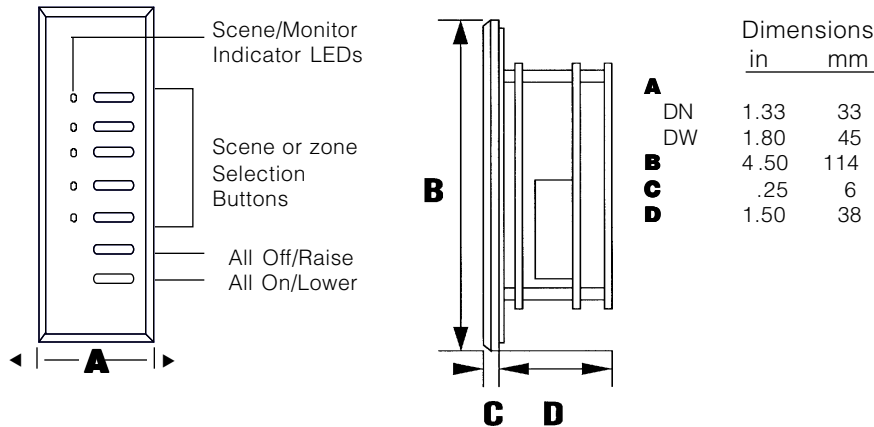
LUTRON SPECIFICATION SUBMITTAL

HWV-KP5

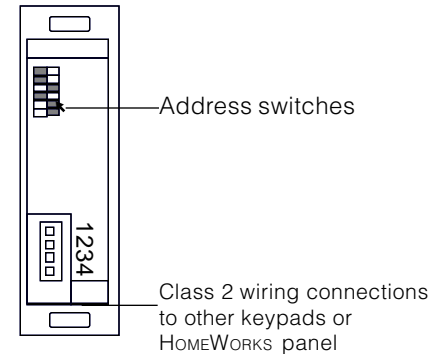
-DN

-DW

Job Name	Job Number
Location	Area Controlled
Model # HWV-KP5-DN, DW <input type="checkbox"/> Bright Brass <input type="checkbox"/> Bright Chrome <input type="checkbox"/> White	



Architrave Door Jamb Controls



► Specifications

POWER	Operating Voltage: Class 2, 15VDC.
TERMINALS	Capacity: (4) #18 AWG (1.0 mm ²).
MOUNTING	Special wallbox required, Lutron part #241-399. (DW Unit only; not required for DN unit)
ENVIRONMENTAL	32 - 104°F (0 - 40°C).
DESIGN	Faceplates: Bright Brass, Bright Chrome, White.
PANEL CAPACITY	Up to 32 different master keypads with 16 possible unique addresses. Data link: 1000' (300 m.) maximum.

► Function

The Architrave Door Jamb Control allows users to:

- turn individual scenes/zones on or off
- turn selected scenes/zones on or off as a group
- raise/lower selected scenes/zones as a group.
- monitor lights in different areas.

► Pre-Wiring

1. Mount wallbox.
2. Pull cable(s) from HomeWorks Panel or other master keypad location. Use one pair #18 for power and one pair twisted, shielded #18 - #22 for data. All wires are class 2.

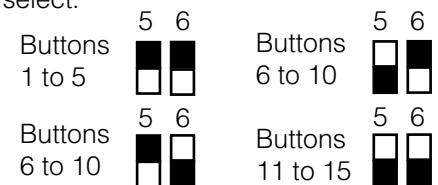
► Programming

Master keypads can be programmed with Windows-based software or locally by being placed in manual programming mode.*

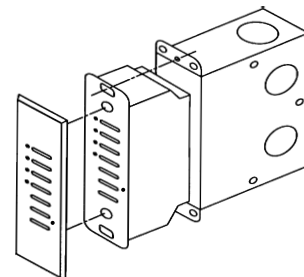
► Installation

1. WIRE: Turn power off. Strip 1/2" (12 mm) insulation from wires in wallbox. Connect pair for low-voltage power to terminals 1 and 2. Connect twisted pair for data link to 3 and 4.

2. ADDRESS: Set six switches on back of unit. Set first 4 switches with unit's unique address (see back of sheet). Set 5 and 6 to determine which button numbers the unit can select.



3. MOUNT: Push all wires in wallbox and mount as shown. Restore power.



Wallbox used for DW models only.

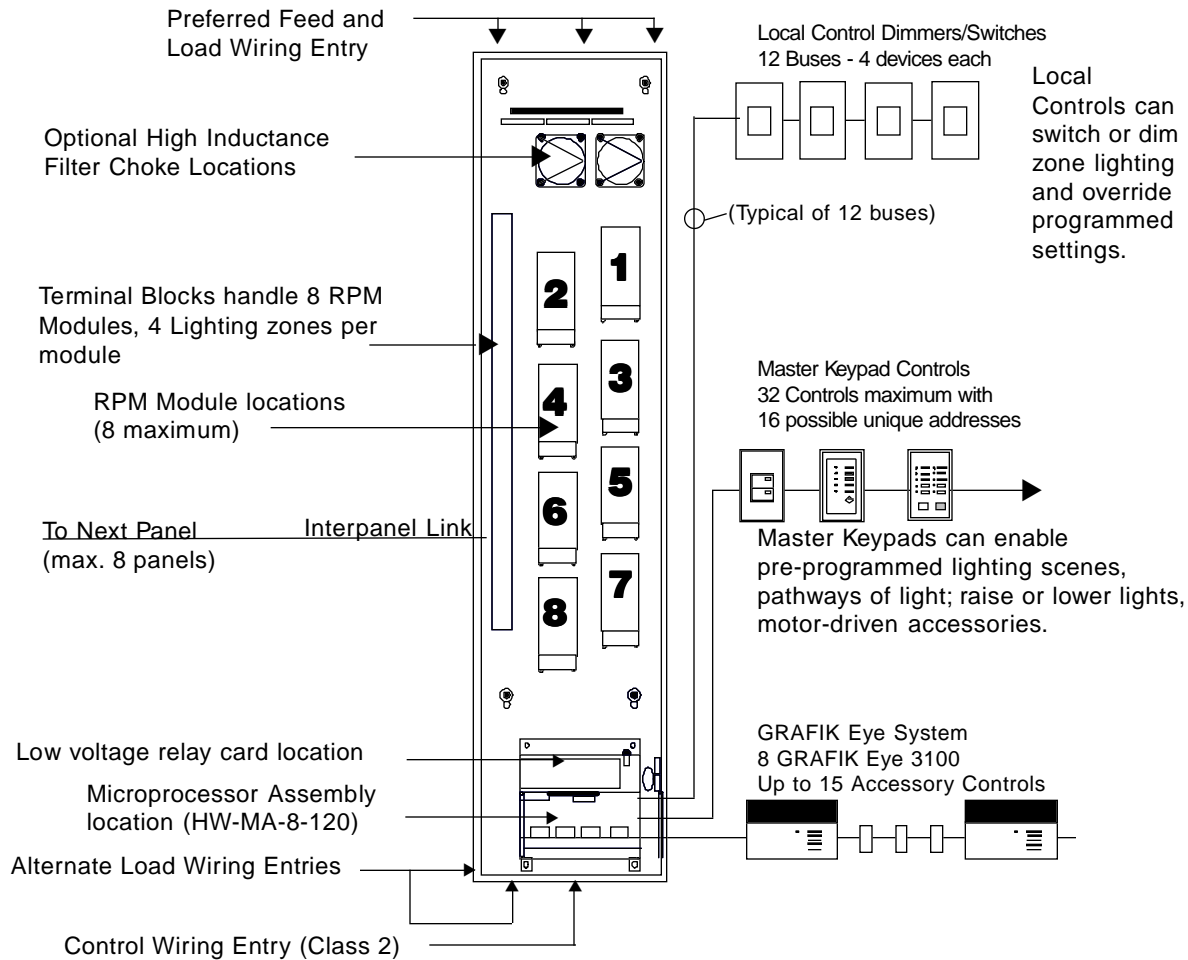
* Remote Power Modules can only be programmed to master keypads with the Windows-based software.



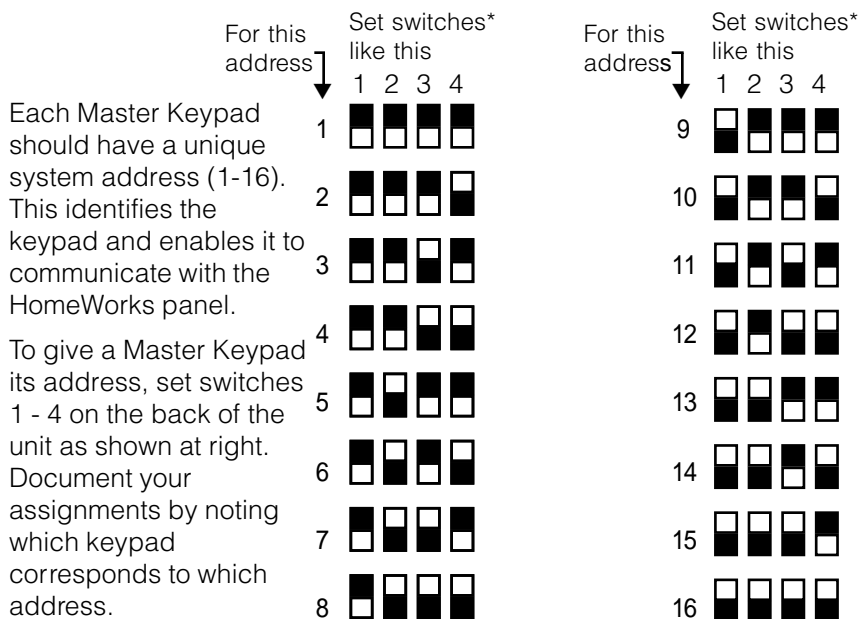
Lutron Electronics Co., Inc.
7200 Suter Road
Coopersburg, PA 18036, USA
4/96 P/N 362-821

For additional submittal sheets, call our Hot Line and Fax-on-Demand Service at 1-800-523-9466 or visit Lutron's Website at <http://www.lutron.com/resi>

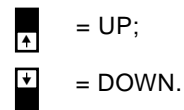
► Overview of HomeWorks Integrated System



► Giving Master Keypads Their Unique Address



* Switch position key:



Warranty

Lutron will, at its option, repair or replace any control that is defective in materials or manufacture within two years after the purchase. This warranty is in lieu of any other warranties, express or implied and the implied warranty of merchantability is limited to two years from purchase.

This warranty does not cover the cost of installation, removal or reinstallation, or damage resulting from misuse, abuse or improper wiring or insulation.

This warranty gives you specific legal rights, and you may also have other rights which vary from state to state. Some states do not allow the exclusion or limitation of incidental or consequential damages or limitations on how long an implied warranty may last, so the above limitations and exclusions may not apply to you.