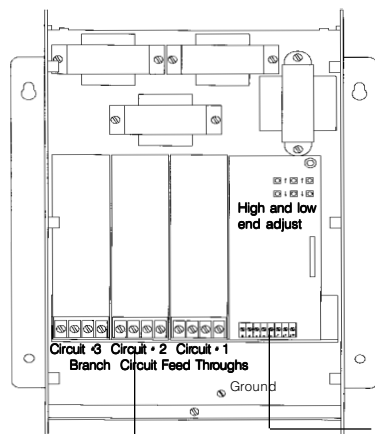


HOMEWORKS™ Dimming Module

LUTRON SPECIFICATION SUBMITTAL

**HP-2,
-4, -6**

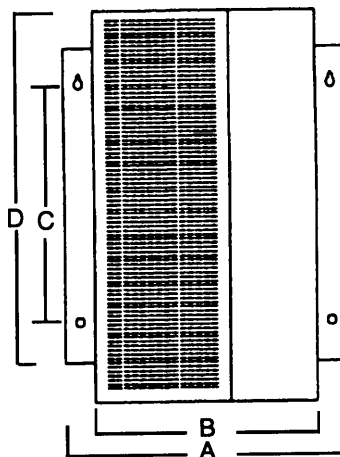
Job Name	Job Number
Location	Area Controlled
Model No. <input type="checkbox"/> HP-2 <input type="checkbox"/> HP-4 <input type="checkbox"/> HP-6; 120/277VAC, 60 Hz	



Cover removed

Control circuit
Load circuits

	in	mm
A	10.36	259
B	9.36	234
C	9.24	231
D	14.72	368
Depth	5.76	144



HP-6 Shown

► Specifications

DESCRIPTION	MODEL NUMBER	# OF OUTPUTS TO LOAD CIRCUITS	CAPACITY @120VAC, 20A	
	HP-2	1	2000W/VA	
	HP-4	2	4000W/VA	
	HP-6	3	6000W/VA	
POWER	For control circuit: 120VAC, 0.20 amps per HP module For load circuit(s): 120 or 277, 60Hz VAC.			
MOUNTING	Surface mounted with adequate air space as indicated.			
ENVIRONMENTAL	32 - 104°F (0 - 40°C).			
CAPACITIES PER LOAD CIRCUIT OUTPUT	LOAD TYPE	DIMMED 120VAC	SWITCHED 120VAC	
	Incandescent	16A, 2000W	10A, 1200W	
	Magnetic/electronic low voltage; neon/cold cathode*	16A, 2000VA	10A, 1200VA	
	Hi-lume Fluorescent**	16A	16A	
	Fluorescent (non-dim)		16A (non-capacitive)	
	Metal Halide		10A, 1200VA	
	Dimmed and switched hot available for each output. 50W/VA minimum load per output.			
HEAT DISSIPATION	200 BTU per hour per load circuit output.			
SYSTEM CAPACITY	Up to five HP-6 Dimming Modules per zone for a maximum of 30,000W/VA.			
* For neon/cold cathode light sources, consult Application Note No. 25				
** Also 277 VAC				

► Function

Increases zone load capacity of HomeWorks local dimmers/switches HWV-600D, -1000S and Remote Power Modules HW-RPM-4U-120, HW-RPM-4S-120 to:

- 2000W/VA with HP-2 (1 20A feed).
- 4000W/VA with HP-4 (2 20A feeds).
- 6000W/VA with the HP-6 (3 20A feeds).

- Up to 30,000W/VA by daisy chaining five HP-6 Dimming Modules.

Accepts 277V input power so you can integrate cost-efficient fluorescent lighting with 120V light sources. Must be separate HPs.

GRAFIK Eye[®] Hi-Power 2 - 4 - 6 Dimming Module

► Pre-Wiring

1. CHOOSE A GOOD LOCATION... within 1000' (303 m) from the Base Control Unit.
...that allows for adequate cooling. (Check ambient temperature).
Allow for adequate air space.
...at least 6' (1.8 m) away from sensitive electronic equipment.
...where the HP's slight operating noise is acceptable.
2. PULL WIRING. Pull two (3 for fluorescent) #12 AWG wires from each load circuit feed. In a separate raceway, pull three #12 AWG wires (20A, 120V) from the Base Control Unit (two #12s for the control circuit feed, one #12 to carry the dimmed hot signal from the Control Unit zone to the HP).

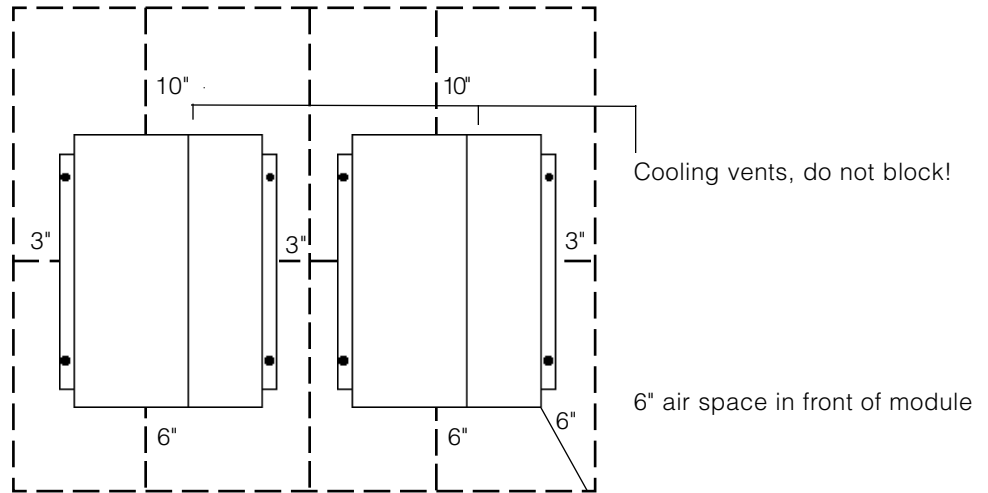
► Installation

- Leave factory-installed bypass jumpers in place until you have installed and tested the module as described in the Installer's Guide.
1. MOUNT. Hold unit vertically. Mark and drill holes. Using the keyed upper holes for easy positioning, secure unit to wall.
 2. WIRE. Turn power off. Remove front cover. Feed wiring through knockouts and connect as shown.
 3. TEST LOADS, CONTROL CIRCUIT, AND DIMMING. SET TRIM. For detailed instructions, refer to the High Power Installation Guide shipped with HP Units.

Warranty

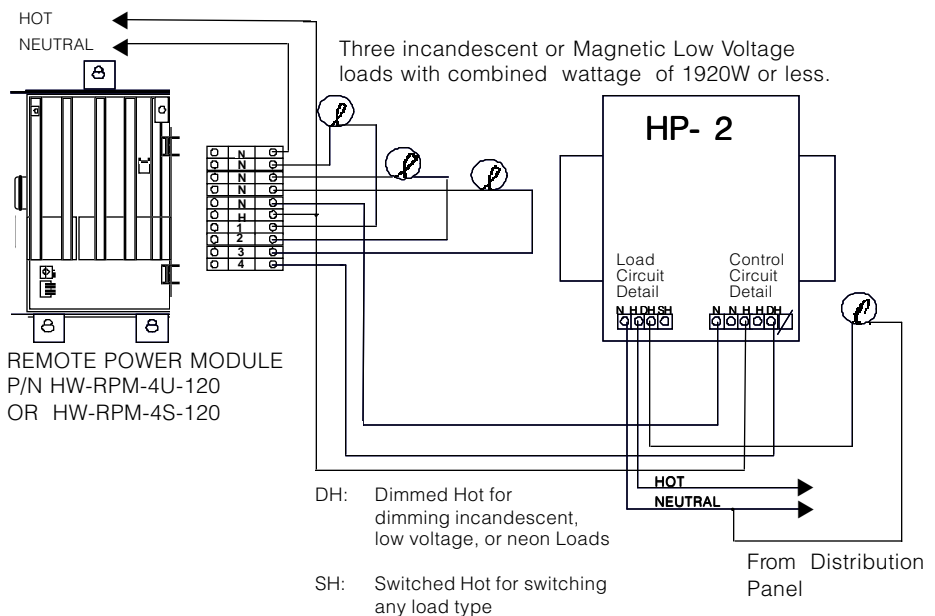
Lutron will, at its option, repair or replace any control that is defective in materials or manufacture within two years after the purchase. This warranty is in lieu of any other warranties, express or implied and the implied warranty of merchantability is limited to two years from purchase. This warranty does not cover the cost of installation, removal or reinstallation, or damage resulting from misuse, abuse or improper wiring or insulation. This warranty gives you specific legal rights, and you may also have other rights which vary from state to state. Some states do not allow the exclusion or limitation of incidental or consequential damages or limitations on how long an implied warranty may last, so the above limitations and exclusions may not apply to you.

► Air Space Required



► Wiring Overview

From A Remote Power Panel



For Local Dimmers and Switches

