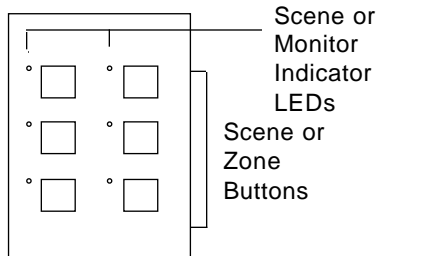


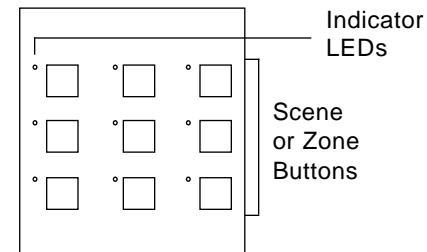
HOMEWORKS™ Master Keypad

LUTRON SPECIFICATION SUBMITTAL

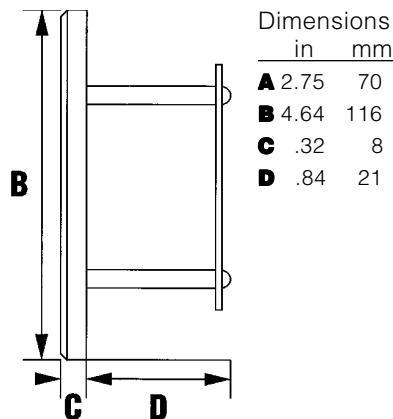
Job Name	Job Number
Location	Area Controlled
Model No./Color <input type="checkbox"/> White <input type="checkbox"/> BEige <input type="checkbox"/> IVory <input type="checkbox"/> GRay <input type="checkbox"/> BRown <input type="checkbox"/> BLack HWV-KP-LB6, KP-LB9 <input type="checkbox"/> Dusty Rose <input type="checkbox"/> TauPe	



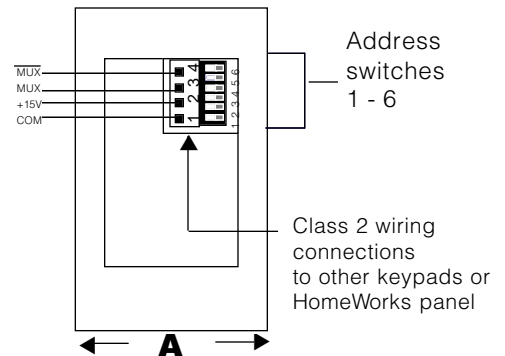
HWV-KP-LB6



HWV-KP-LB9



Architectural Style Keypads



► Specifications

POWER	Operating Voltage: class 2, 15VDC
TERMINALS	Capacity: (4) #18 AWG (1.0 mm ²).
MOUNTING	1 or 2 gang US wallbox.
ENVIRONMENTAL	32 - 104°F (0 - 40°C).
DESIGN	Faceplates: Molded plastic (8 std. colors listed above).
SYSTEM	32 controls max with 16 possible unique addresses.
CAPACITY	Data link: 1000' (300 m) maximum.

► Function

These keypads allow users to:

- turn individual scenes/zones on or off.
- turn selected scenes/zones on or off as a group.
- raise/lower selected scenes/zones as a group.
- monitor lights in different areas.

► Pre-Wiring

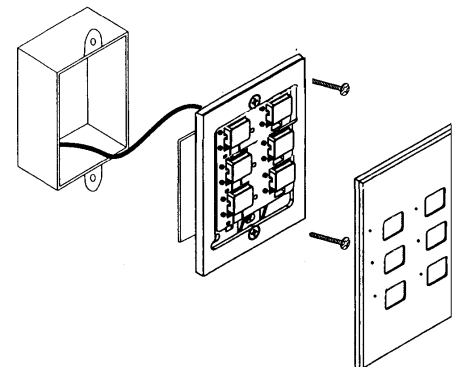
1. Mount wallbox.
2. Pull cable(s) from HomeWorks Panel or other master keypad location. Use one pair #18 for power and one pair twisted, shielded #18 - #22 for data. All wires are class 2.

► Programming

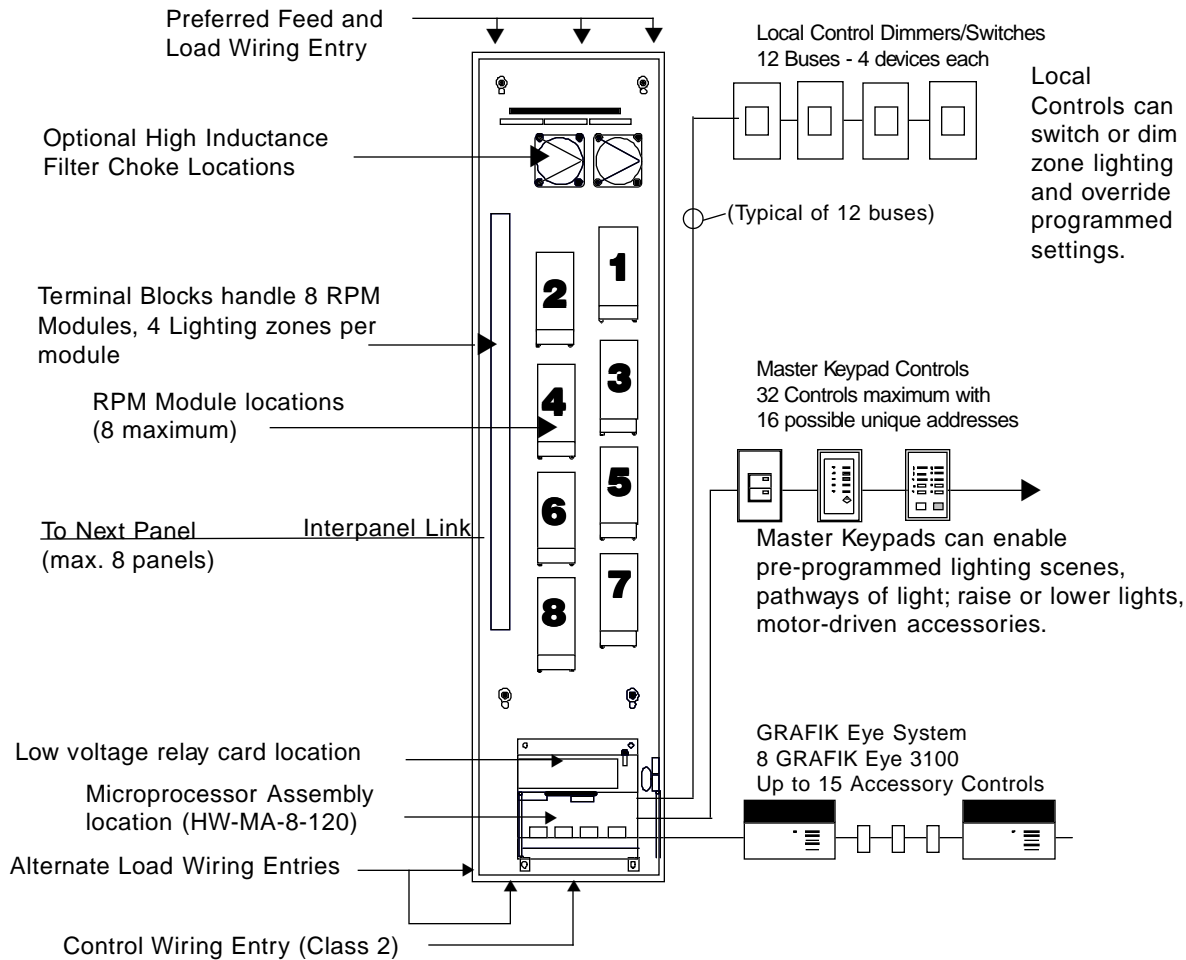
Master keypads can be programmed with Windows-based software or locally by being placed in manual programming mode.*

► Installation

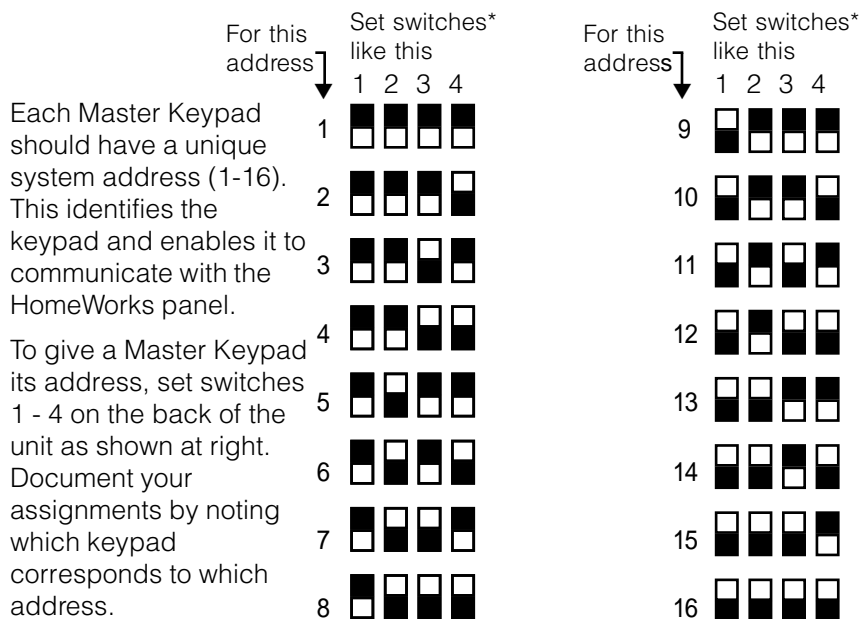
1. Turn power off. Strip 1/2" (12 mm) insulation from wires in wallbox. Connect pair for low-voltage power to terminals 1 and 2. Connect twisted pair for data link to 3 and 4.
2. ADDRESS: Set six switches on back of unit. Set first 4 switches with unit's unique address (see back of sheet). For normal use, set switches 5 and 6 in down (off) position. For raise/lower operation, change buttons 5 and 10 to Raise/Lower by setting the DIP Switch 6 in the up (on) position.
3. MOUNT: Push all wires in wallbox and mount as shown. Restore power.



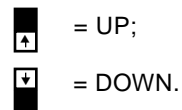
► Overview of HomeWorks Integrated System



► Giving Master Keypads Their Unique Address



* Switch position key:



Warranty

Lutron will, at its option, repair or replace any control that is defective in materials or manufacture within two years after the purchase. This warranty is in lieu of any other warranties, express or implied and the implied warranty of merchantability is limited to two years from purchase.

This warranty does not cover the cost of installation, removal or reinstallation, or damage resulting from misuse, abuse or improper wiring or insulation.

This warranty gives you specific legal rights, and you may also have other rights which vary from state to state. Some states do not allow the exclusion or limitation of incidental or consequential damages or limitations on how long an implied warranty may last, so the above limitations and exclusions may not apply to you.